

**CONTROL PANEL /
SWITCHBOARD ACCESSORIES**

History in Engineering eXcellence

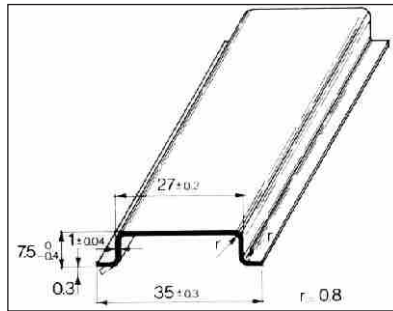
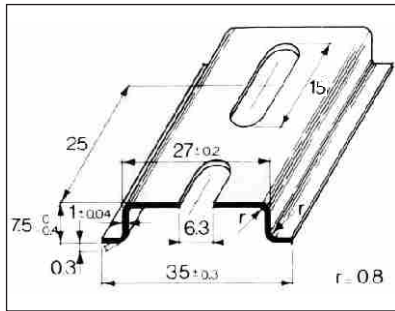
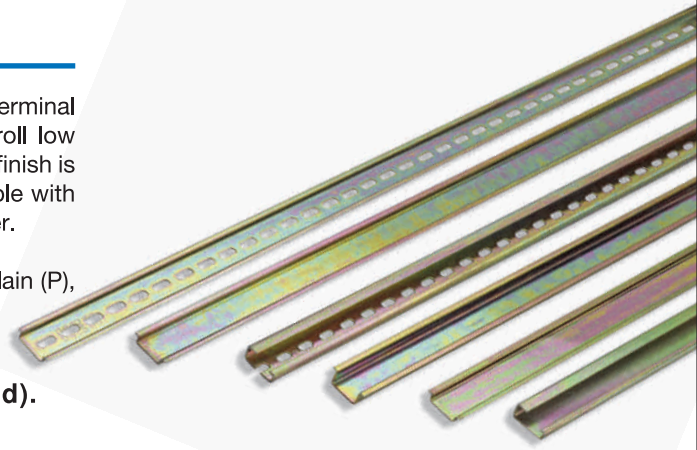
DIN RAIL CHANNELS

“HEX” offers a complete range of DIN RAILS for the mounting of terminal blocks, MCB’s etc. These steel rails are manufactured from cold roll low carbon steel and processed in various types through rollforming. The finish is zinc electroplated with yellow, white or blue passivation. Also available with white / blue passivation, as per RoHS compliance, against specific order.

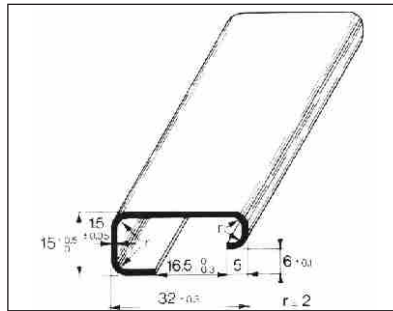
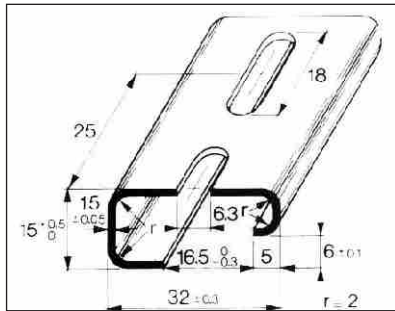
All rails are available in 1 mtr. & 2 mtr. length and in three types ie. Plain (P), Punched/Dotted (D) & Slotted (S).

While ordering add the type :

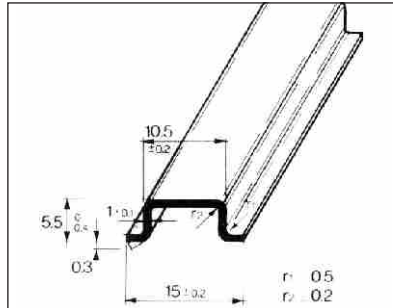
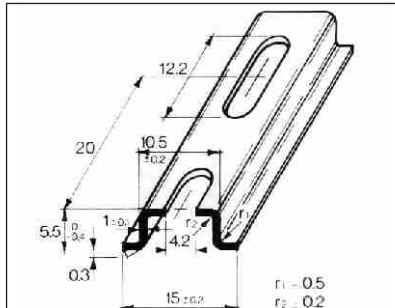
P for (Plain), D for (Dotted/Punched) and S for (Slotted).



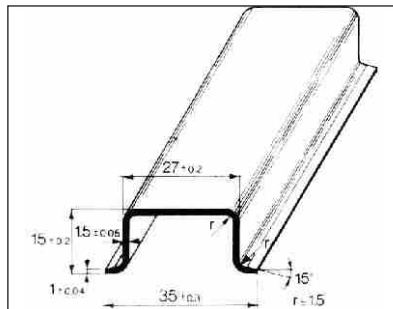
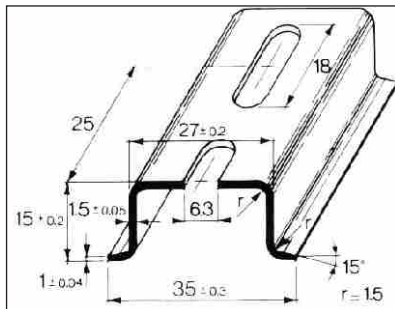
Hex Prod. Code : - HDR - 3575
Size :- 35mm x 7.5mm



Hex Prod. Code : - HDR - 3215G
Size :- 32mm x 15mm x 9mm



Hex Prod. Code : - HDR - 1555
Size :- 15mm x 5.5mm



Hex Prod. Code : - HDR - 3515
Size :- 35mm x 15mm

Also available with White Passivation as per RoHS compliance against specific order.

End Clamps for Din Rails

Hex Prod. Code : - HECDR - 35

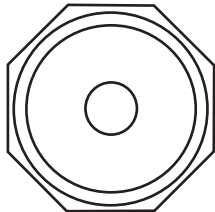
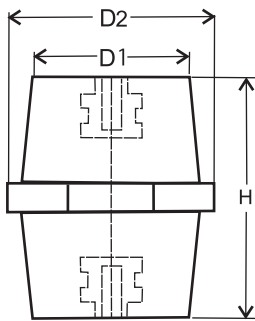
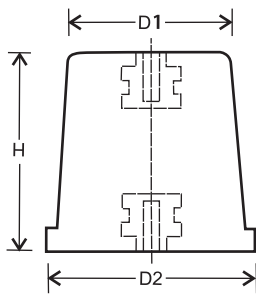


Hex Prod. Code : - HECDR - 32



DMC BUS BAR SUPPORTS / INSULATORS

- "HEX" manufactures a wide range of DMC insulators for Control Panels, Boards etc. in various types viz. Conical, Cylindrical, Hexagonal, Hex-Cylindrical.
- The Sizes range from the height of 25mm to 75mm. The extruded brass insert varies accordingly from M6 to M12, for the fixing of insulators.
- "HEX" insulators have excellent electrical and mechanical strength, heat and flame resistance and a very low water absorption capacity.
- All "HEX" insulators have successfully withstood the tests carried out by reputed test labs.



INSULATOR CONICAL SERIES

D1	D2	H	Bush Size	Product Code
22	25	25	M6	HBBI-C 2506
28	35	35	M8	HBBI-C 3508
40	50	50	M8	HBBI-C 5008
45	55	75	M10	HBBI-C 7510

INSULATOR HEXAGONAL/OCT SERIES

D1	D2	H	Bush Size	PRODUCT CODE
24	26	25	M6	HBBI - 2506
26	27	25	M8	HBBI - 2508
25	33	30	M6	HBBI - 3006
25	33	30	M8	HBBI - 3008
26	35	35	M6	HBBI - 3506
26	34	35	M8	HBBI - 3508
26	35	35	M10	HBBI - 3510
30	40	40	M8	HBBI - 4008
30	40	40	M10	HBBI - 4010
30	40	45	M8	HBBI - 4508
30	40	45	M10	HBBI - 4510
35	45	51	M8	HBBI - 5108
38	50	51	M10	HBBI - 5110
38	50	60	M10	HBBI - 6010
38	50	60	M12	HBBI - 6012
38	55	76	M10	HBBI - 7610

RUBBER & PVC GROMMETS / CLOSERS

Material : Rubber EPDM

Material : Plastic PVC HRC 60 - 65 (Soft)

Suitable for 2 mm, 2.5 mm & 3 mm Sheet.

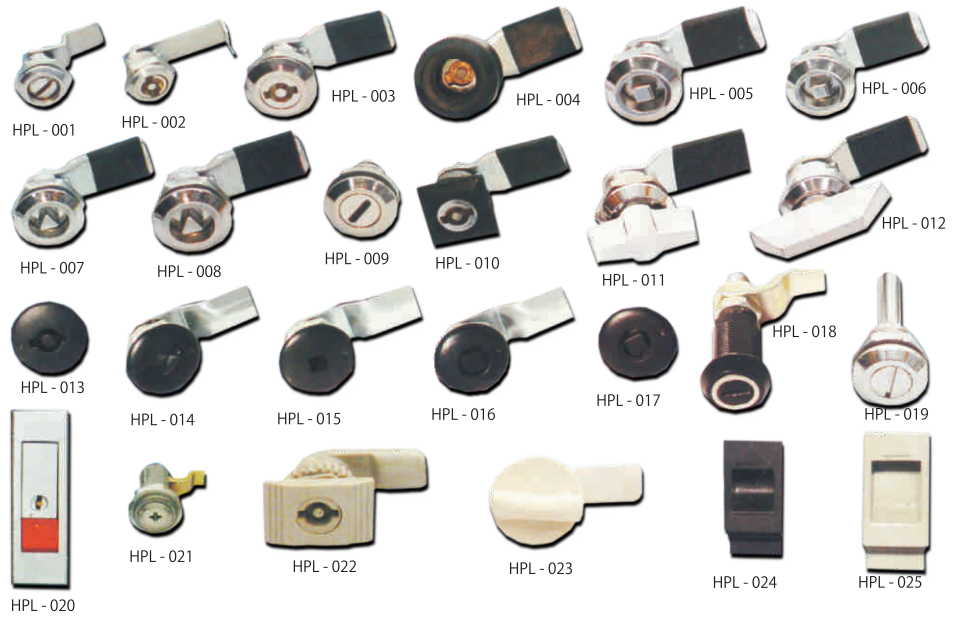


Sheet Hole Inches	Diameter mm	Product Code
3/8"	9.5	HGB - 2
1/2"	12.5	HGB - 3
5/8"	15.5	HGB - 4
3/4"	19.0	HGB - 5
7/8"	22.0	HGB - 6
1"	25.0	HGB - 7
1 1/4"	32.0	HGB - 8
1 1/2"	38.0	HGB - 9
2"	50.0	HGB - 11

While ordering specify with prefix 'R' for Rubber & 'P' for PVC.

PANEL LOCKS

- HPL - 001 : Zinc lock small
- HPL - 002 : Small lock for meter box
- HPL - 003 : Zinc lock
- HPL - 004 : Zinc lock pad locking type
- HPL - 005 : Zinc lock sq. 7mm
- HPL - 006 : Zinc lock sq. 8mm
- HPL - 007 : Zinc lock triangle 6.5mm
- HPL - 008 : Zinc lock triangle 7mm
- HPL - 009 : Zinc lock (slotted)
- HPL - 010 : Zinc lock sq. face
- HPL - 011 : Wing lock small
- HPL - 012 : Wing lock long
- HPL - 013 : SC-1 double bit Q.T. lock
- HPL - 014 : SC-2 triangle 7mm
- HPL - 015 : SC-3 7mm sq. recessed
- HPL - 016 : SC-4 7mm sq. raised
- HPL - 017 : SC-5 8mm sq. raised
- HPL - 018 : Compression lock
- HPL - 019 : Spring loaded lock
- HPL - 020 : Die cast push to open lock
- HPL - 021 : Compression lock with Screw adjustment
- HPL - 022 : P.A. lock
- HPL - 023 : Plastic lock 3 piece
- HPL - 024 : Slide lock small
- HPL - 025 : Slide lock big



KEY LOCKS

- HKL - 001 : Small lock with key
- HKL - 002 : Zinc lock with key
- HKL - 003 : GD lock long body
- HKL - 004 : GD lock small body
- HKL - 005 : Wing lock small with key
- HKL - 006 : Wing lock big with key
- HKL - 007 : "T" handle with key
- HKL - 008 : "L" handle with key
- HKL - 009 : Slam lock
- HKL - 010 : "L" handle with P.A. base
- HKL - 011 : "L" handle with P.A. base pad lock type
- HKL - 012 : Wing handle small with key type 2



Keys

- HKE - 001 : Key for zinc lock type 1
- HKE - 002 : Key for zinc lock type 2
- HKE - 003 : Key for zinc lock type 3
- HKE - 004 : Key for triangle lock 7/8mm
- HKE - 005 : Key for square lock recessed
- HKE - 006 : Key for square lock 6.5/7mm
- HKE - 007 : Key for meter box lock
- HKE - 008 : Key for P.A. lock 'L' type
- HKE - 009 : Key for P.A. lock wing type

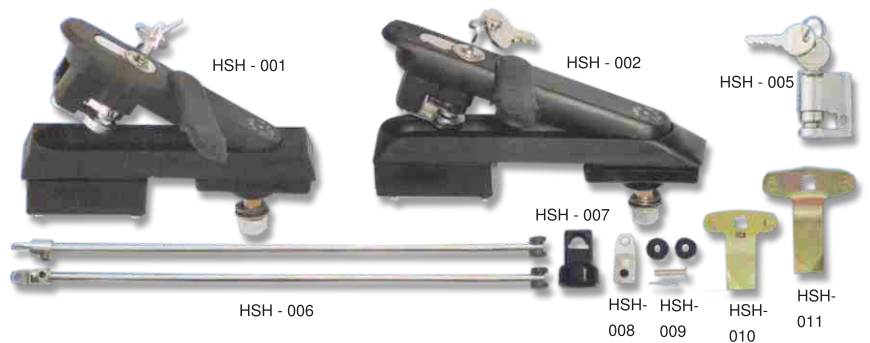


- HSH - 001 : 3 point lock small
- HSH - 002 : 3 point lock big

Swing Handle (Round Rod)

Accessories for 3 Point Lock

- HSH - 005 : Lock with universal key
- HSH - 006 : Rods 4' long 2 nos.
- HSH - 007 : Rod guide 2 nos.
- HSH - 008 : Zinc socket 2 nos.
- HSH - 009 : Roller assy. 2 sets
- HSH - 010 : 3 point cam small
- HSH - 011 : 3 point cam big

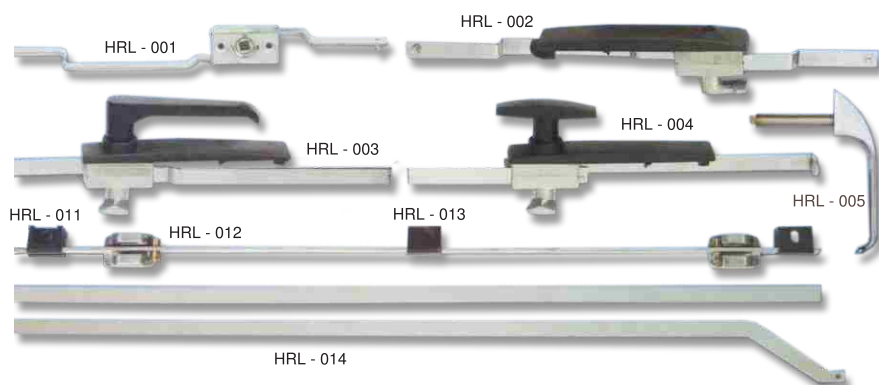


- HRL - 001 : Rod latch mechanism LH/RH
- HRL - 002 : Front plate for double bit
- HRL - 003 : Front plate with 'L' handle with lock and without lock
- HRL - 004 : Front plate with 'T' handle with lock and without lock
- HRL - 005 : 'L' handle with extended rod

Rod Latch Systems (Flat Rods)

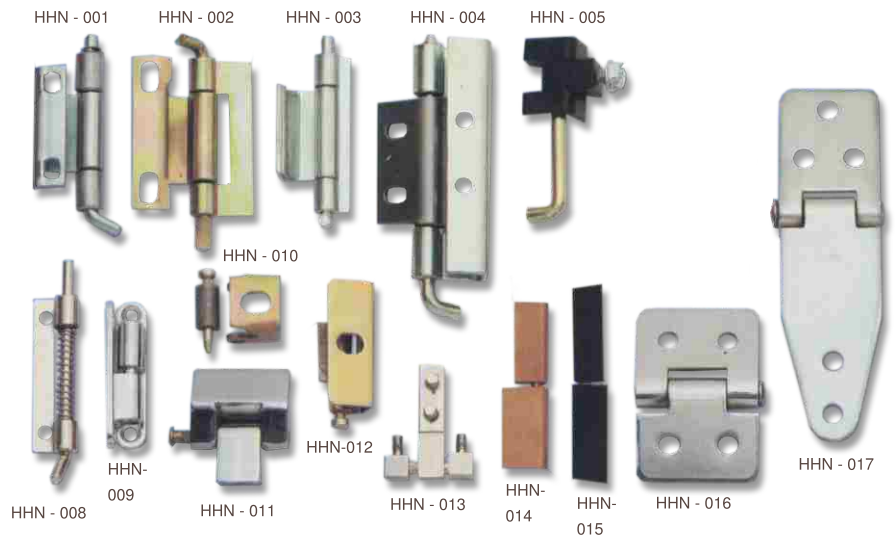
Accessories for Rod latch system

- HRL - 011 : Rod guide P.A. 2 nos.
- HRL - 012 : Rod guide Zinc 2 nos.
- HRL - 013 : Rod guide centre P.A.
- HRL - 014 : Flat rods



HINGES

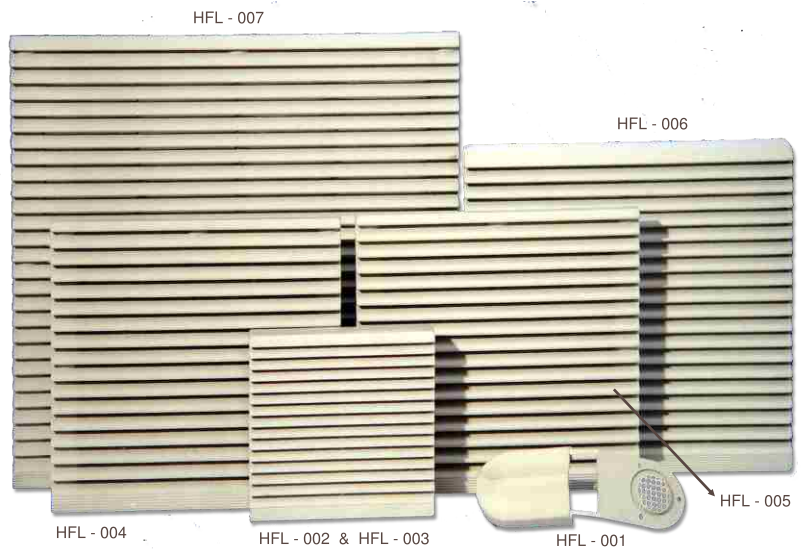
HHN - 001 : Concealed hinge 20mm
HHN - 002 : Concealed hinge 26mm
HHN - 003 : Concealed hinge 20mm weld on
HHN - 004 : Concealed hinge 120°
HHN - 005 : Zinc die-cast hinge 180°
HHN - 008 : Spring loaded hinge
HHN - 009 : Pin type hinge die-cast
HHN - 010 : 'U' hinge small / big
HHN - 011 : Zinc die-cast hinge 180° big
HHN - 012 : 120° Hinge pull type
HHN - 013 : Screw on hinge
HHN - 014 : Profile hinge screw on brass
HHN - 015 : Profile hinge P.A.
HHN - 016 : Heavy duty hinge 4 hole
HHN - 017 : Heavy duty hinge for accoustic enclosures 5 hole



FILTERS

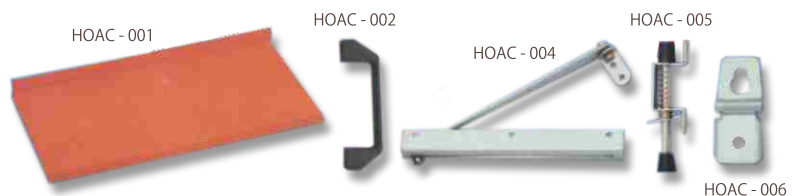
- All filters are supplied with synthetic washable filter media for filtering dust upto 5 microns.
- All filters supplied with gaskets for IP 55

HFL - 001 : Air Vent
HFL - 002 : 130 x 130 mm Surface mounting
HFL - 003 : 130 x 130 mm Snap fitting
HFL - 004 : 203 x 203 mm Surface mounting
HFL - 005 : 203 x 203 mm Snap fitting (with provision for mounting axial flow fan)
HFL - 006 : 230 x 230 mm Surface mounting
HFL - 007 : 320 x 325 mm Snap fitting



Accessories

HOAC - 001 : Cable Ally Shroud
HOAC - 002 : Handle
HOAC - 004 : Wind Stay
HOAC - 005 : Door Stopper
HOAC - 006 : Wall Mounting Bracket, set of 2 with Hardware



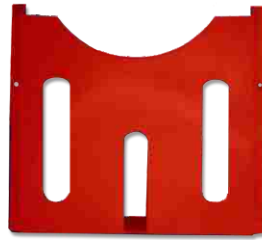
Document Holders

- All document holders are supplied with double adhesive tape as optional.
- Specific colours available on request.

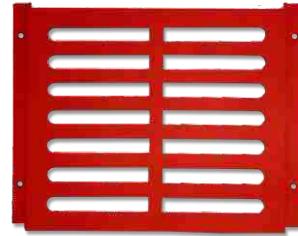
HCDX - 001 : A5 size

HCDX - 002 : A4 size regular 18mm deep

HCDX - 003 : A4 extra 35mm deep



HCDX - 001



HCDX - 002



HCDX - 003

Tinned Copper Bus Bars

MATERIAL : E-COPPER

FINISH : ELECTRO TINNED

Bus Bars are manufactured and supplied as per customer's Specifications, Drawings, etc.



TINNED COPPER BUSHES

MATERIAL : E - COPPER • FINISH : ELECTRO TINNED / SILVER

Bushes are manufactured and supplied as per customer's Specifications, Drawings etc.



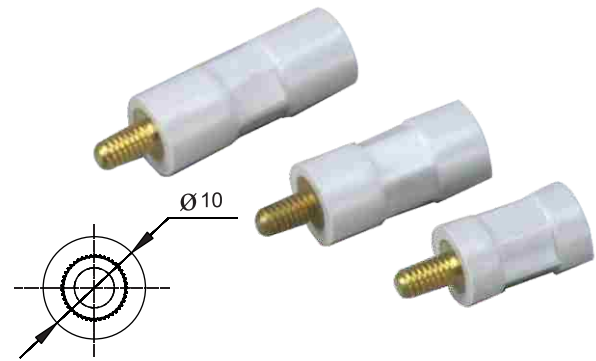
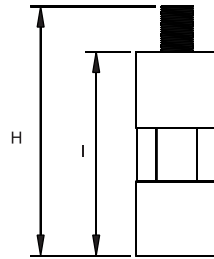
PBT SPACERS

PBT SPACERS with BRASS Inserts

Material : PBT Glass Filled

Temp. Limit upto 130°c

H	I	Product Code
22	16	HPBTS - 01
27.5	21	HPBTS - 02
32	25	HPBTS - 03

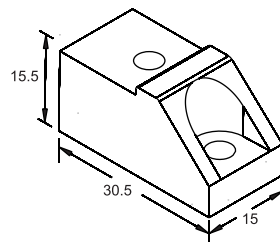


NYLON NEUTRAL LINK BASE

Product Code : HNLB-01

Material : Polyamide

Colour: Black



NEUTRAL LINK BREAK

Material - Polyamide Glass Filled

Colour : Black

Temp. Limit upto 130°c

Rating	Product Code
60 Amp.	HNLB - 60
100 Amp.	HNLB - 100
250 Amp.	HNLB - 250



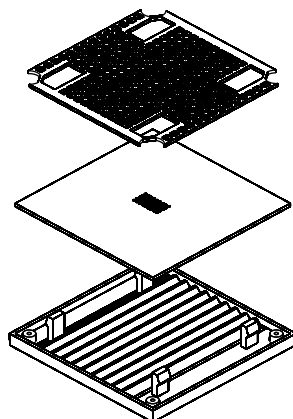
UNIVERSAL PLASTIC FILTER GUARD

Size: 96 x 96

Product Code : HUPFG-96

Material : ABS

Colour : Black / Grey

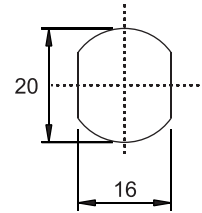
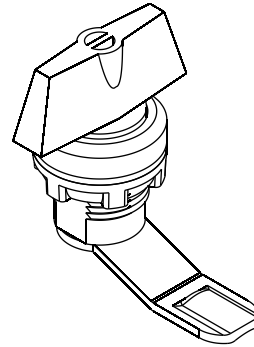
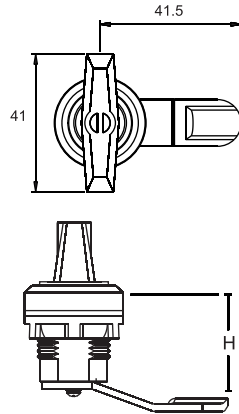
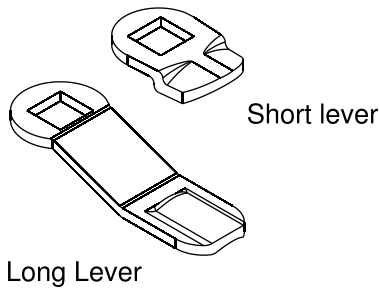


PANEL DOOR KNOB

Product Code : HDK-01

Material : Polyamide

Colour : Black



Cut-Out

Short lever available in 20 mm Height.

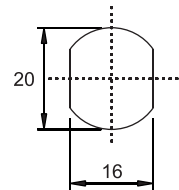
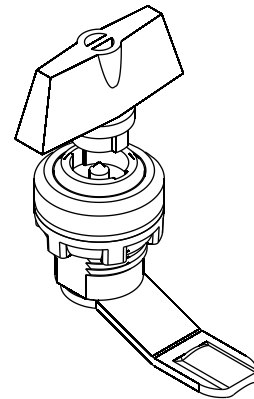
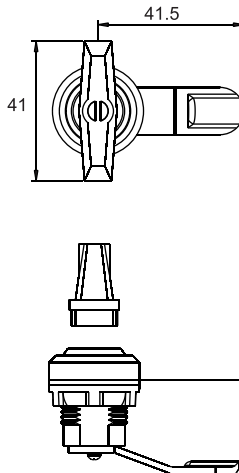
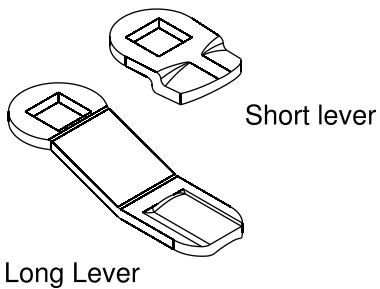
Long Lever available with Height 'H' = 20 mm, 25mm, 30 mm, 40 mm, 45 mm & 50 mm

(Specify 'H' while ordering with long lever).

Product Code: HDK-02

Material: Polyamide

Colour : Black



Cut-Out

Short lever available in 20 mm Height .

Long Lever available with Height 'H' = 20 mm, 25mm, 30 mm, 40 mm, 45 mm & 50 mm

(Specify 'H' while ordering with long lever)

MCB/MODULE BLANKING PLATE

Colour :-Grey , Black

Type: 5 Way

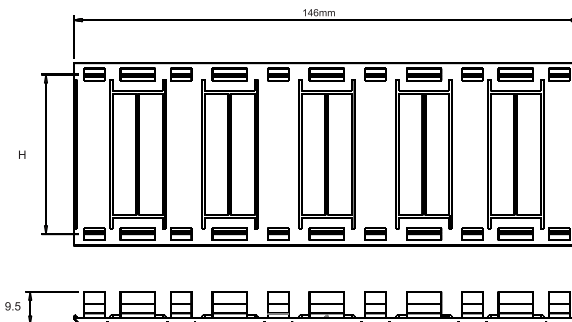
Material : HIPS

Colour : Dark Grey / Light Grey

A strip of 5 full & 6 half blankers



H	Product Code
46.5	HBP 5 Way - 01
44.5	HBP 5 Way - 02



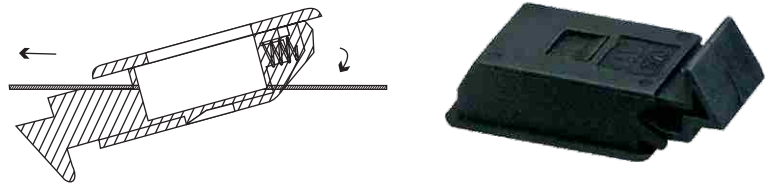
NYLON SNAP LATCH

SNAP LATCH

Product Code: HSL

Material : Polyamide

Colour : Black/Grey



NYLON HINGE

180 HINGE SMALL FOR 2 MM SHEET

Product Code: HNH

Material: Body - Polyamide

Pin - Delrin

Colour : Black

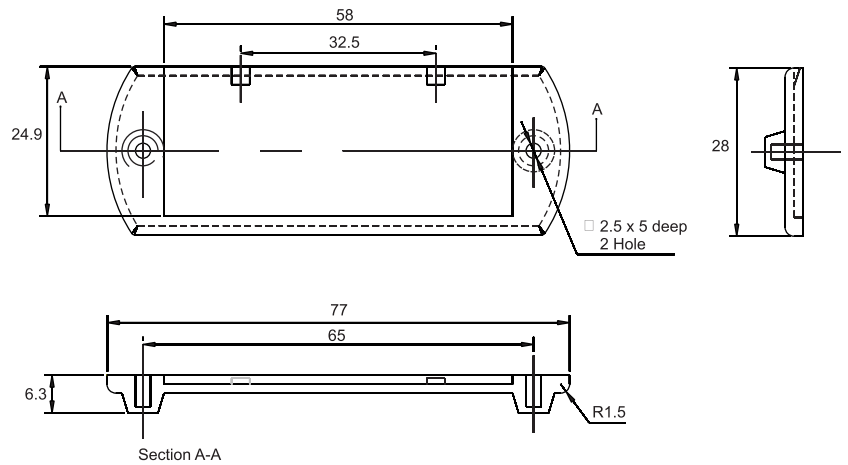
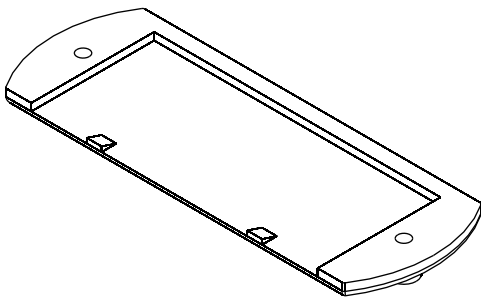


DOOR LABLE HOLDER

Product Code: HDLH-01

Material: Polycarbonate

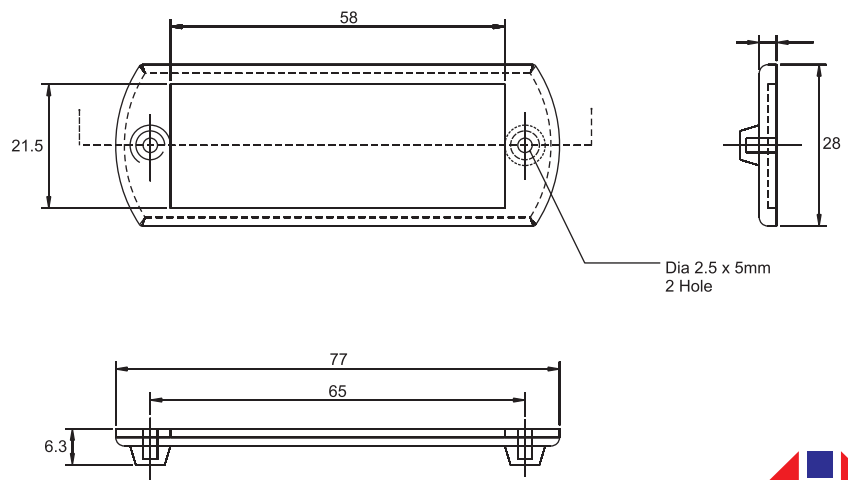
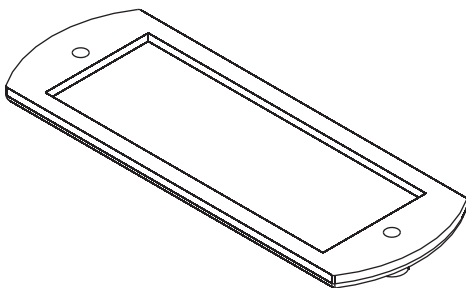
Colour : Transparent



Product Code: HDLH-02

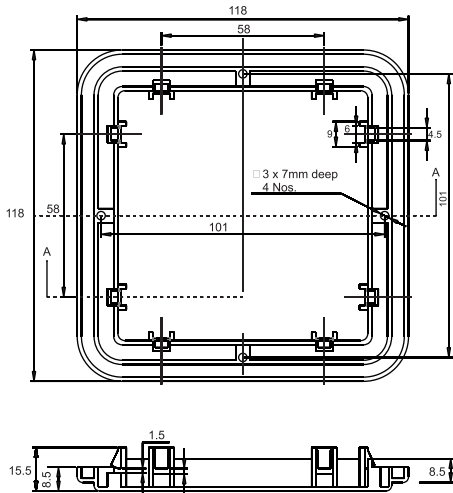
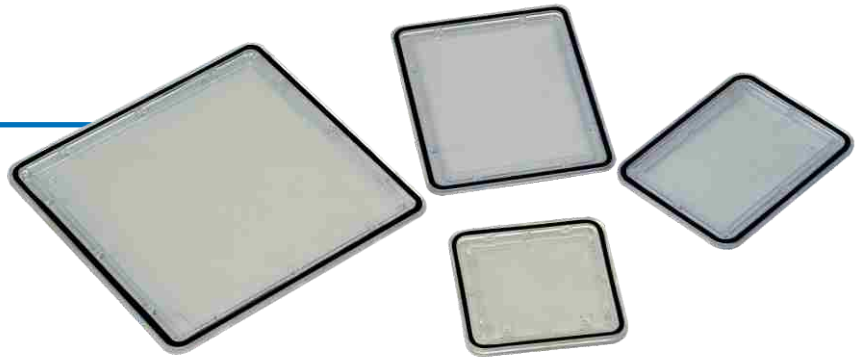
Material: Polycarbonate

Colour : Transparent



METER WINDOW GLASS

Colour : Transparent



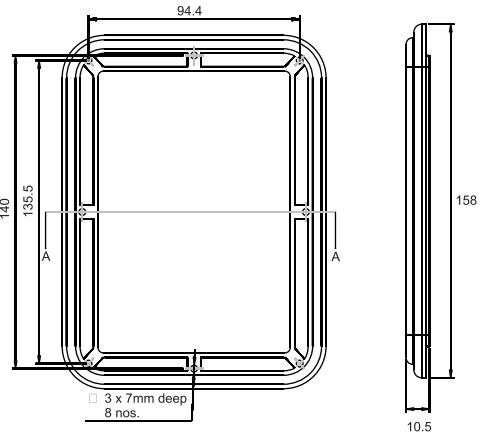
Detail View A-A

Size: 96 x 96 Type: Universal

Product Code : HUWG-96

Material : Polycarbonate

Cutout Size: 92 x 92

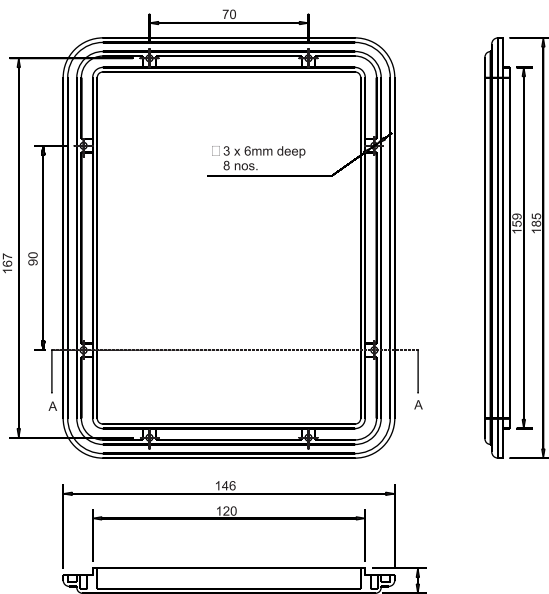


Detail View A-A

Product Code : HMWG-01

Material : Polycarbonate / SAN

Cutout Size: 90 x 130



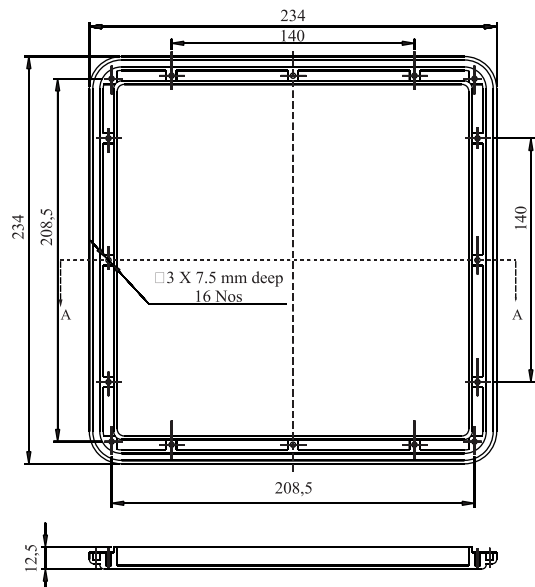
Detail View A-A

Product Code : HMWG-02

Material : Polycarbonate / SAN

Colour : Transparent

Cutout Size: 120 x 159



Detail View A-A

Product Code : HMWG-03

Material : Polycarbonate / SAN

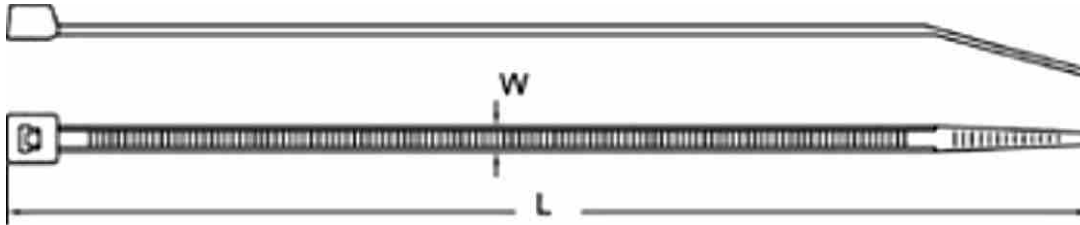
Colour : Transparent

Cutout Size: 206 x 206

NYLON CABLE TIES & ACCESSORIES

Self-locking nylon cable ties

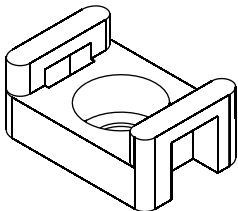
- Material : Nylon 6.6 UL certified 94V-2
- Operating temperature : Static +120 – 20 Dynamic +140 - 40
- Colours : Available ex stock Natural and UV Black
- Colours : Made to order Red, Green, yellow, orange, grey, white
- Manufactured & tested as per international standard “IEC62275 FOR CABLE MANAGEMENT SYSTEMS”



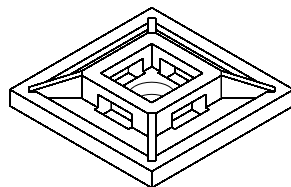
Item No.	L		W	Bundle Dia	Min Loop tensile strength		Packing per pkt	Packing
	In	MM	MM	MM	lbs	Kgs	100nos	Per carton
HNCT-100 x 2.5	4	100	2.5	2-22	22	10	100	600 pkts
HNCT-150 x 3.6	6	150	3.6	2-35	44	20	100	230 pkts
HNCT-200 x 3.6	8	200	3.6	3-50	44	20	100	170 pkts
HNCT-250 x 4.8	10	250	4.8	3-65	50	23	100	120 pkts
HNCT-300 x 4.8	12	300	4.8	3-82	50	23	100	100 pkts
HNCT-368 x 4.8	14 ½	368	4.8	3-100	50	23	100	90 pkts
HNCT-450 x 4.8	18	450	4.8	3-130	50	23	100	80 pkts

Screw Mounted Tie Support

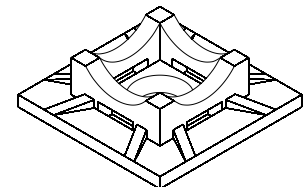
Size: Suitable for 5mm Square.



Product Code : HSMS-05



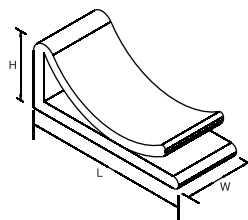
Product Code : HTM-019
Size: 19mm L x 19 mm W



Product Code : HTM-025
Size: 25mm L x 25mm W

Self Adhesive Wire Supports

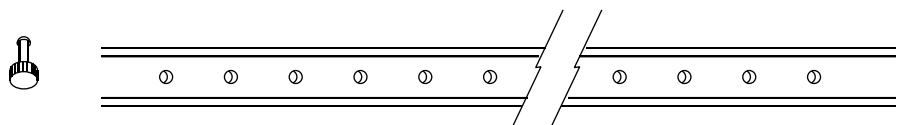
Size: 27mm L x 13mm W x 11mm H



Product Code : HSWS

PVC Belt & Button

Product Code : HPBB-001
Belt Material: Soft PVC
Button material: HD
Size: 8mm
Colour : Black & grey.



Control Panel Spares



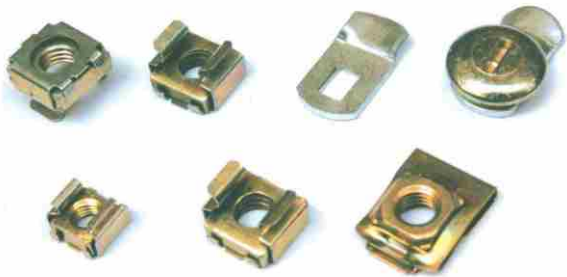
Chrome Plated Brass Hinges



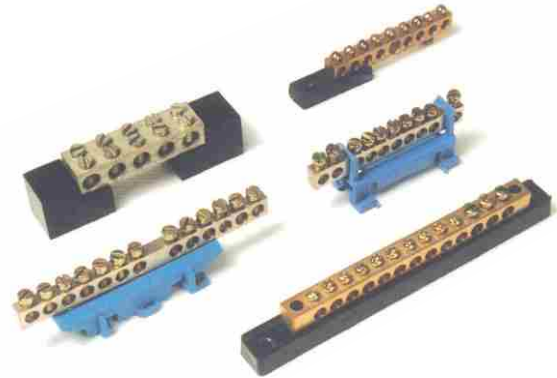
MS 3 Part Hinges



Porcelain Connectors



Hardwares and Spares



Neutral Links with / without base



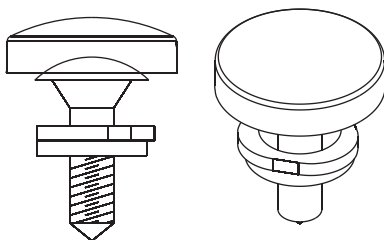
Mains Power Connector

Prod. Code : H MPC

Type: 3 Way

Rating: 40A , 450 V

Temp. upto 150 °c



Concealed Screw Assembly

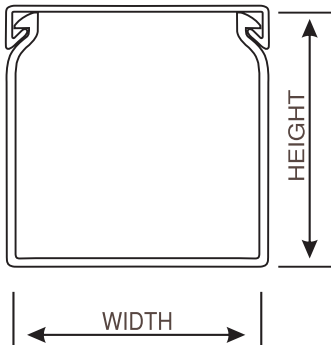
Prod. Code : H CSA

Material : PVC

Colour : Black, White, Grey

Parts: CSK Washer, Nylon Cap

PVC CABLE DUCTS / CHANNELS / PANEL TRUNKINGS



Standard Length : 1 mtr.
 Standard Colour : Grey.
 (other colours on request)

HEX high quality PVC Channels adhere to international standards in all processes of manufacturing, thus ensuring a product which meets the highest level of Quality & Safety. The Salient features are :

- Made of rigid polyvinyl chloride (PVC) of high tensile & compressive strength.
- Highly durable, will not crack, peel or chip, also resistant to oil, fungus, salt solutions etc..
- Non brittle, non inflammable and also warp proof.
- Fast & efficient locking guaranteed because of specially designed duct & cover.
- Slotting pattern prevents wire from popping up, while removing cover.
- Elongated slots at the bottom makes flexible mounting possible.
- Special orders regarding colours, length or modification of existing range can be manufactured as per your Spec.

Size W x H (mm ²)	Cross Section Area	Cable Housing Capacity (Nos)			Product Code Type C	Standard Pack Total Length in Metres.
		OD 3.18 1.5 mm ² (16 AWG)	OD 3.53 2.5 mm ² (14 AWG)	OD 4.01 4.0 mm ² (12 AWG)		
25 x 25	625	19	15	12	HPCXC - 2525	100
25 x 30	750	36	29	23	HPCXC - 2530	72
25 x 40	1000	48	39	31	HPCXC - 2540	72
25 x 60	1500	72	55	45	HPCXC - 2560	36
25 x 80	2000	92	75	59	HPCXC - 2580	36
25 x 100	2500	166	106	51	HPCXC - 25100	30
40 x 40	1600	81	65	51	HPCXC - 4040	36
40 x 60	2400	121	98	77	HPCXC - 4060	36
40 x 80	3200	160	130	102	HPCXC - 4080	36
40 x 100	4000	256	196	141	HPCXC - 40100	30
60 x 60	3600	180	146	114	HPCXC - 6060	24
60 x 80	4800	246	199	156	HPCXC - 6080	24
60 x 100	6000	308	247	194	HPCXC - 60100	16
80 x 60	4800	251	203	159	HPCXC - 8060	24
80 x 80	6400	337	272	214	HPCXC - 8080	24
80 x 100	8000	425	344	217	HPCXC - 80100	16
100 x 100	10000	531	429	336	HPCXC - 100 ²	16

Specifications - Polyvinyl Chloride (PVC) Physical Properties Measured at 23°C

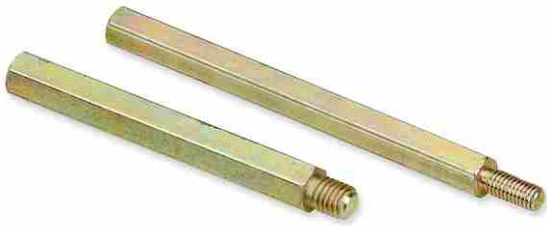
Specific Gravity	: 1.4
Compressive Strength	: 540 kg/cm ²
Tensile Strength	: 390 kg/cm ²
Flexural Strength	: 727 kg/cm ²
Impact Resistance	: 3.6 cm kg/cm ²
Working Temperature	: 65°C and below
Specific Heat	: 0.22 Cal/°C/gm
Thermal Expansion	: 0.063 mm/m°C
Thermal Conductivity	: 4.0 Cal / secsq.cm/C°/cmx10 ⁴)
Water Absorption	: 0.10% in 24 hrs.
Hardness	: 70 Duro D
Dielectric Constant	: 1.7 (60 cps at 30°C)
Power Factor	: 2.52 (60 cps at 30°C)
Dielectric Strength	: 30 Kv/mm
Burning Rate	: Self Extinguishing
Modulus Elasticity in tension	: 19.800 kg/cm ²
Grade	: FRLS

Note : While placing your order, please state the Size (W x H) and Length (if deviating from Std. 1 mts.).

METAL SPACERS

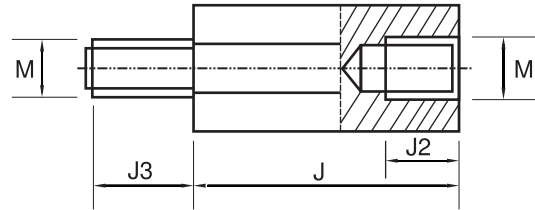
Features :

- Raw Material : Steel
- Profile : Hexagonal
- Traction Resistance : 500 N/mm²
- Finish : Yellow Passivated (White Passivated available on request)



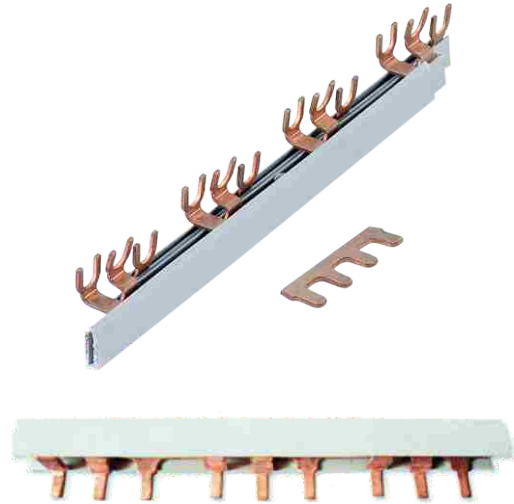
J	Thread Size M	J3	J2	Rod Size (Hexagonal)	PRODUCT CODE
10	M4	8	6	8	HMS - 107
15	M4	8	10	8	HMS - 157
20	M4	8	10	8	HMS - 207
25	M4	8	10	8	HMS - 257
30	M4	8	10	8	HMS - 307
35	M4	8	10	8	HMS - 357
40	M4	8	10	8	HMS - 407
50	M4	8	10	8	HMS - 507
60	M4	8	10	8	HMS - 607
70	M4	8	10	8	HMS - 707
90	M4	8	10	8	HMS - 907
15	M5	8	10	8	HMS - 158
20	M5	8	10	8	HMS - 208
25	M5	8	10	8	HMS - 258
30	M5	8	10	8	HMS - 308
35	M5	8	10	8	HMS - 358
40	M5	8	10	8	HMS - 408
50	M5	8	10	8	HMS - 508
60	M5	8	10	8	HMS - 608
70	M5	8	10	8	HMS - 708
90	M5	8	10	8	HMS - 908
20	M6	10	12	10	HMS - 2010
25	M6	10	12	10	HMS - 2510
30	M6	10	12	10	HMS - 3010
35	M6	10	12	10	HMS - 3510
40	M6	10	12	10	HMS - 4010
50	M6	10	12	10	HMS - 5010
60	M6	10	12	10	HMS - 6010
70	M6	10	12	10	HMS - 7010
90	M6	10	12	10	HMS - 9010
25	M8	14	14	12.7	HMS - 2513
30	M8	14	14	12.7	HMS - 3013
35	M8	14	14	12.7	HMS - 3513
40	M8	14	14	12.7	HMS - 4013
50	M8	14	14	12.7	HMS - 5013
60	M8	14	14	12.7	HMS - 6013
70	M8	14	14	12.7	HMS - 7013
90	M8	14	14	12.7	HMS - 9013

All sizes in mm



INSULATED BUS BAR SYSTEM FOR MCB

Way	Type	Product Code
56	Single Pin	HIB - SP56
56	Single Fork	HIB - SF56
28	Double Pin	HIB - DP28
28	Double Fork	HIB - DF28
19	Triple Pin	HIB - TP19
19	Triple Fork	HIB - TF19
14	Four Pin	HIB - FP14
14	Four Fork	HIB - FF14



* Add prefix 'T' for Tinned Finish

* Std. Length : 1 mtr. Also available other length on request.

WELD STUDS

HEX manufactures a wide range of Speciality Fusion Weldable Fasteners, Autoweld Studs, Hardwares used for Stud Welding



Product Range : Drawn Arc type, Capacitor Discharge type, Short Cycle type, Break Off type, in various Diameters, Shapes, Materials & Length.

Also as per customers requirement with or without thread.

Material : MS, SS, Aluminium, Brass, etc.

Sizes : M3 to M20 (also available in imperial sizes)

Finish : Natural, Nickel, Copper, Zinc etc. (as per customers requirement)

Accessories : Ceramic Ferrules can be provided

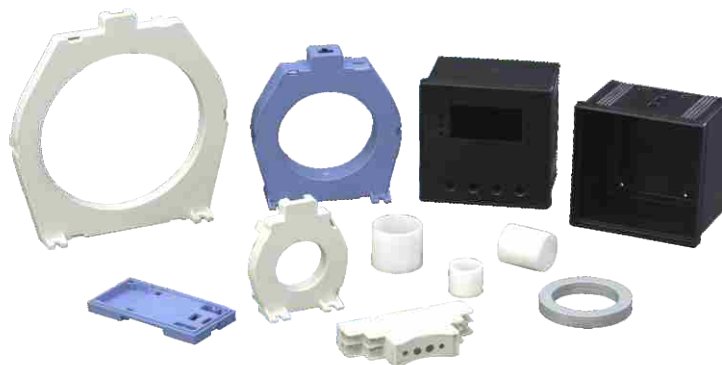
HEX Welding Studs have been made to withstand Bend test, Torque test and Tensile Strength test as per specifications.



The above shown terminals and products, built to International Standards, are supplied to leading manufacturers of Switchboard , Switches , Transformers , Battery , Switchgear , Terminal Blocks, Distribution Boards , Panel Builders etc. all over the world.

HEX an ISO certified company is amongst the leading manufacturers of electrical accessories. HEX has been providing its services to customers from all over the world for the past decade. Our experience, along with the latest technology, allows us to provide superior service to the electrical industry , in both hazardous and non-hazardous areas of electrical installation.

“HEX” has specialised in developing components and terminals in ferrous and non-ferrous metals as per the customer’s design and specifications. We possess the capacity to develop and manufacture tailor made items, as per the customer’s requirements, on the basis of the design and specifications given to us.



We also make Moulds & Dies for
Various Plastics, Bakelite, SMC & DMC Components.