

**CABLE JOINTING &
TERMINATION KIT COMPONENTS**

TINNED / BARE COPPER BRAIDS, SOCKS, FLEXIBLE CONNECTORS ETC.

Range : 4mm² and above

Size of wire : 0.05mm (47swg) to 0.3mm (30swg)

Material : Electrolytic Grade Copper

Finish : Bare Copper / Tinned / Silver

Features : Single & multiple flat braids can be used as continuous current carrying conductors. Flexible connectors / shunts / links / assemblies enable transfer of high current by using component with smaller dimension. The high flexibility of these connectors ease the installation in small & difficult applications. Flexible connectors combine maximum conductivity & minimum voltage drop, without loss of flexibility in the braid.

BARE / TINNED COPPER WIRE MESH

HEX offers a wide range of Wire Mesh, jointless, continuous and with uniform borders in various sizes, thickness and width as per customer requirements

Most commonly available sizes are :-

a) 41swg x 32 loops x 63mm width

b) 36 swg x 32 loops x 60mm width

CONSTANT FORCE SPRINGS / ROLL SPRINGS

Constant Force Springs / Roll Springs are used to provide reliable solderless continuity in earthing in low & medium voltage joints and termination systems. HEX offers Constant Force Springs / Roll Springs as per customer requirements and specifications.

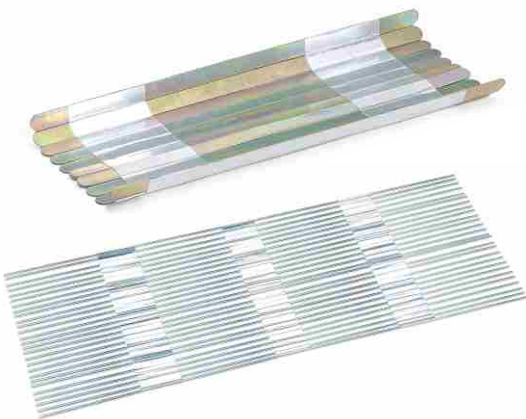
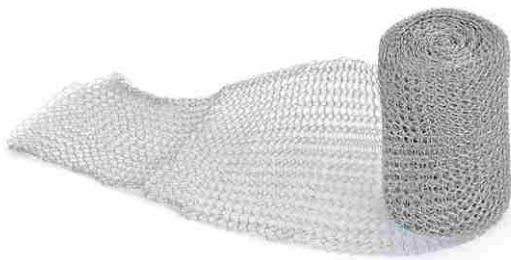
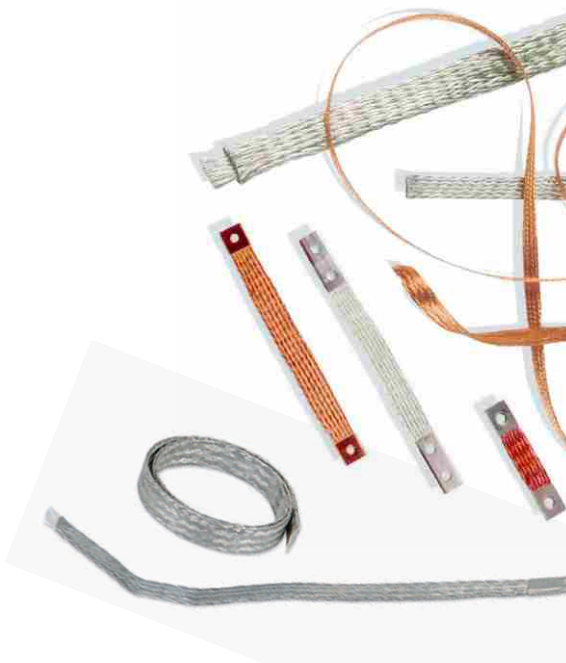
METAL CANISTERS

Metal canisters are used to provide mechanical protection on joining systems.

HEX offers different types of Metal Canisters i.e. G.I. Wire type, G.I. Strip type, etc. in various sizes & with or without Aluminium Foil Backup HEX also offers the same as per customer requirements and specifications.

OTHER ACCESSORIES

HEX also offers other accessories as per customer requirements and specifications.



S. S. Locking Channels



Shear Head Bolted Connectors

ARMOUR / BACK-UP RINGS

Back-up Rings are used to hold the armour of the cable during execution of the joint / termination. HEX offers different types of Back-up Rings i.e. Straight through, Split type, etc. in various sizes. HEX also offers the same as per customer requirements and specifications.



HOSE CLAMPS

HEX offers a multi-utility Hose Clamp designed to cover wide range of diameters suitable to meet multiple utility areas and for reliance in withstanding High Pressures and Stress.

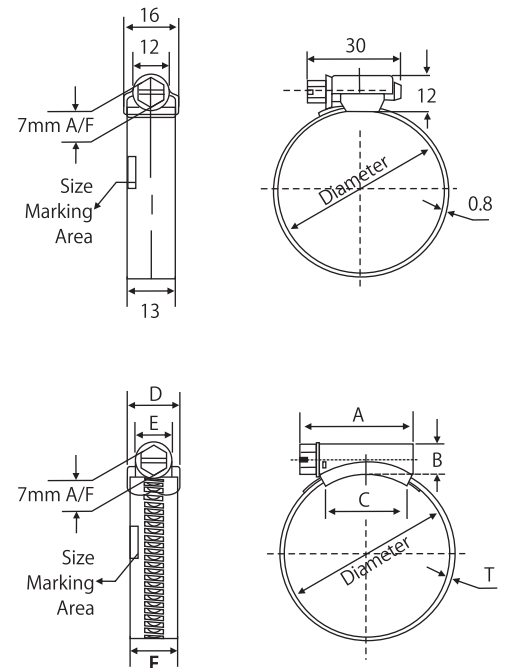
Material : The material used for Band and Housing is Low Carbon Steel and the Screw is manufactured from Free Cutting Steel. All materials used are as per IS specifications.

Finish : HEX Hose Clamps are free from rough and sharp throbbing edges. The whole clamp with its various parts is given a smooth and polished finish. The clamp is Zinc plated with yellow passivation as per IS Specifications.



Size (mm)	HEX sizes	A mm max	B mm max	C mm max	D mm max	E mm max	F mm max	T mm max
12 to 20	000-00	21	10	14	13	9	10	0.9
22 to 45	0-45 A	29	12	17	16	11	13	1.0
50 & above	2A & above	32	12	20	16	11	13	1.0

Size as per IS 4762	"HEX" sizes	Size as per BS 5315	Clamping Range (X)				Max. Pressure	Min. Pressure	Kg/cm ²
			MM		INCH				
			Min.	Max.	Min.	Max.	Kgf/cm	Kgf/cm ²	
12	000	12	9	12	3/8	1/2	46	14.1	
16	00M	16	12	16	1/2	5/8	"	"	
20	00	20	14	20	1/2	3/4	"	"	
22	0	22	16	22	5/8	7/8	58	"	
25	100S	25	18	25	3/4	1"	"	"	
28	0X	-	20	28	3/4	1.1/8	"	"	
30	1A	30	22	30	7/8	1.1/4	69	8.4	
35	137S	35	25	35	1"	1.3/8	"	"	
38	1	-	30	38	1.1/8	1.1/2	"	"	
40	1X	40	30	40	1.1/8	1.5/8	"	"	
45	45A	45	32	45	1.1/4	1.3/4	81	"	
50	2A	50	38	50	1.1/2	1.7/8	"	"	
55	2	-	42	55	1.5/8	2.1/8	"	"	
60	2X	60	45	60	1.3/4	2.3/8	92	"	
70	3	70	50	70	2"	2.3/4	"	4.2	
75	75A	-	55	75	2.1/4	3"	"	"	
80	3X	80	60	80	2.3/8	3.1/8	"	"	
90	4	90	70	90	2.3/4	3.1/2	"	"	
100	4X	100	80	100	3.1/8	4"	"	"	
110	110A	-	90	110	3.1/2	4.3/8	"	"	
115	5	-	95	115	3.3/4	4.5/8	"	"	
120	5X	-	110	120	4"	4.3/4	"	"	
130	6	130	110	130	4.3/8	5.1/4	"	"	
140	140A	-	125	140	5"	5.1/2	"	"	
145	575A	-	125	145	5"	5.3/4	"	"	
150	150A	-	135	150	5.1/2	6"	"	"	
160	6X	160	140	160	5.5/8	6.3/8	"	"	





Company Policy :

◀ Corporate Goal ▶

Maintain a satisfied customer base with quality products that meet application requirements completely.

We aim to secure the existing customers and concurrently augment new customers to the HEX Family.

◀ Company Culture ▶

A quality product is the result of Company culture. The service, the people behind the product, these are the assets that set us apart from the competition.

◀ Technologies ▶

Employ the latest technologies in manufacturing with the intent to increase quality of product, reduce wastage, meet environmental norms and increase production.

◀ Planning ▶

Strict adherence to ABC analysis for production planning and inventory management. We employ ERP tools to integrate our sales, production, purchase and dispatch divisions.

◀ Product Quality ▶

Continuously endeavor to improve product quality and reach a zero defect manufacturing. Contribute to the efficient utilization of the national resources.

◀ HEX Family - Team Work ▶

At HEX house we instill family values into our working environment. We believe, as the individual spends a major part of his day at work, being in a close knit and congenial environment enhances their productivity.

We extend similar values in our dealings with our distributors and channel partners.

IMPORTANT NOTE

HEX takes every precaution to ensure the performance of its products and recommendations given are in good faith. However, HEX cannot control the installation of our products and therefore cannot give any warranty or result obtained. It is the responsibility of the customer to assume all risks and liabilities incurred in the use of HEX products, whether used alone or in conjunction with other products.