



**BRASS CABLE GLAND KITS
& ACCESSORIES**

History in Engineering eXcellence

LIST OF TEST REPORTS & CERTIFICATIONS

BRASS CABLE GLANDS				
S. NO	PRODUCT	SIZE	STANDARD / TEST	CERTIFYING BODY
1	HA2F & HE1FW TYPE	16 S TO 90 L	ATEX	TECHNICKA INSPEKCIA, a.s., SLOVAKIA
2	HBW SERIES & HCW SERIES	16 S TO 90 L	BS 6121-1:2005	EUROTECH, U.K.
3	HA2 SERIES	16 S TO 100 L	BS EN 62444:2013	EUROTECH, U.K.
4	WEATHERPROOF DOUBLE COMPRESSION TYPE - HCGW SERIES (IP 65)	M12 TO M110	IS/IEC 60529:2001	CENTRAL INSTITUTE OF MINING AND FUEL RESEARCH
5	FLAMEPROOF CUM WEATHERPROOF DOUBLE COMPRESSION TYPE - HCGF SERIES - GAS GROUP : II B AND ZONE 1 & 2 ATMOSPHERE ONLY	M12 TO M100	IS/IEC 60079-1:2007	CENTRAL INSTITUTE OF MINING AND FUEL RESEARCH
6	FLAMEPROOF CUM WEATHERPROOF HCGF SERIES - GAS GROUP : I ATMOSPHERE ONLY	M12 TO M110	IS/IEC 60079-1:2007	CENTRAL INSTITUTE OF MINING AND FUEL RESEARCH
7	IP68 GLANDS HIP	20 MM	AS 1939 : 1990	REGIONAL TESTING CENTRE
8	FLAMEPROOF/ WEATHERPROOF REDUCER - ZONE 1 & 2 AND GAS GROUP : II C ATMOSPHERE ONLY	25X20 TO 75X63	IS/IEC 60079-1:2007 / IS/IEC 60529: 2001	CENTRAL INSTITUTE OF MINING AND FUEL RESEARCH
9	FLAMEPROOF/ WEATHERPROOF STOPPING PLUG (IP 66) - HCS SERIES	M20 TO M75	IS/IEC 60079-1:2007 / IS/IEC 60529: 2001	CENTRAL INSTITUTE OF MINING AND FUEL RESEARCH
10	WEATHERPROOF SINGLE COMPRESSION HEAVY DUTY (SIBG) (IP 65)	M16 X 1.5 TO M125 X 1.5	IS/IEC 60529:2001	CENTRAL INSTITUTE OF MINING AND FUEL RESEARCH
11	FLAMEPROOF/ WEATHERPROOF JUNCTION BOX - JBI 75 & JBI 32 (IP 55)	GROSS 18 Ltrs & NET 14 Ltrs	IS/IEC 60079-0 : 2004 / 60079-1:2007 / 60529:2001	CENTRAL INSTITUTE OF MINING AND FUEL RESEARCH
12	FLAMEPROOF CUM WEATHERPROOF DOUBLE COMPRESSION TYPE - HCGF SERIES - GAS GROUP : II B AND ZONE 1 & 2 ATMOSPHERE ONLY	M12 TO M100	IS/IEC 60079-1:2007	BUREAU OF INDIAN STANDARDS

TECHNICAL DATA

General Specification : BS 6121 - 1 : 2005

Materials

- Glands - Bodies, Caps & Rings: Brass
- Seals - Nitrile rubber
- Shrouds/Sleeves - Black Poly Vinyl Chloride (PVC)
- Earth Tag - Natural Brass
- Locknut - Natural Brass/Galvanised
- Finish - Natural Brass / Nickel Plated
- Entry Thread - Isometric (other threads available on request)

GLAND SELECTION CHART

Cable Glands perform to the requirement of BS 6121-1 : 2005

For use with PVC, SWA, PVC 600/1000 cables to BS 6346 :1997

600/1000V Copper Conductor PVC insulated with Steel Wire Armoured Cable

Cable conductor Size		Number of Cores												
Nom. Area mm ²	Neutral	1	2	3	3½	4	5	7	10	12	19	27	37	48
1.5	-	16S	20/16	20S	-	20S	20	20	20	25S	25	25	32	32
2.5	-	16S	20S	20S	-	20	20	20	25S	25	25	32	40S	40
4	-	16L	20	20	-	20	20	25S	25S	25	32S	32	40S	-
6	-	20S	20	20	-	20								
10	-	20S	25S	25S	-	25S								
16	-	20	25S	25S	-	25								
25	16	20	25S	25	25	25								
-	-	-	25	25	-	32S								
35	16	20	25	32S	32S	32								
-	-	-	25	32	-	32								
50	25	25S	32S	32	32	40S								
70	35	25	32	40S	40	40								
95	50	25	40S	40	50S	50S								
120	70	25	40	50S	50S	50								
150	70	32S	40	50S	50S	63S								
185	95	32	50S	50	63S	63S								
240	120	40S	50	63S	63	63								
300	150	40	63S	63	75S	75S								
300	185	40	63S	-	75	75								
400	185	50S	63	75S	75	90S								
500	-	50	-	75	90	90								
630	-	50	-	-	-	-								
800	-	63S	-	-	-	-								
1000	-	63	-	-	-	-								

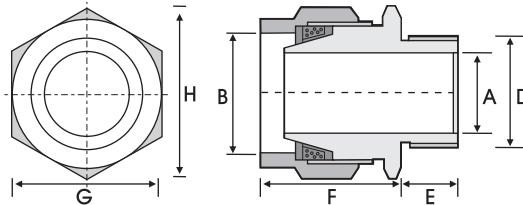
BW CABLE GLANDS (4 PART)

Application : For use with armoured or braided cables, secures armouring & provides electrical continuity between armour & gland entry component mainly used in dry and indoor conditions.

Design Features : Compliant to BS 6121 - 1 : 2005, 3 part armour lock with cone and lock ring provided for additional grip to the armour.

Ingress Protection : IP3X

Also available in CIEL (Cast Integral Earth Lug). For orders add 'C' to Prod. Code.



Size	Cable Dimensions Accomodate		Gland Dimensions					Product Code
	Under Armour Dia. A Max. mm	Overall Dia. B Max. mm	ISO Entry Thread		Approx length from shoulder F mm	Hexagon Size		
			Dia. D mm	Length E mm		Across flat G mm	Across corners H mm	
16 S	8.00	12.00	M16	9.00	20.00	20.00	22.00	HBW -16 S
16 L	8.60	13.50	M16	9.00	20.00	20.00	22.00	HBW -16 L
20 S	12.50	17.00	M20	9.00	20.00	22.00	24.00	HBW - 20 S
20 L	14.30	20.00	M20	9.00	20.00	24.00	26.50	HBW - 20 L
25 S	19.00	23.25	M25	9.00	22.00	30.50	33.50	HBW - 25 S
25 L	20.40	27.00	M25	9.00	22.00	32.00	35.50	HBW - 25 L
32 S	27.00	28.50	M32	9.00	25.00	40.00	44.00	HBW - 32 S
32 L	27.50	33.50	M32	9.00	25.00	40.00	44.00	HBW - 32 L
40 S	31.50	37.50	M40	13.00	25.00	44.50	49.00	HBW - 40 S
40 L	33.00	41.50	M40	13.00	25.00	48.00	53.50	HBW - 40 L
50 S	40.00	48.00	M50	13.00	28.00	56.50	63.00	HBW - 50 S
50 L	44.50	54.00	M50	13.00	30.00	60.50	67.50	HBW - 50 L
63 S	51.00	60.50	M63	13.00	33.00	69.50	77.50	HBW - 63 S
63 L	56.00	65.00	M63	13.00	33.00	74.50	83.50	HBW - 63 L
75 S	63.00	72.00	M75	13.00	40.00	83.00	93.00	HBW - 75 S
75 L	67.00	78.50	M75	14.00	40.00	89.50	99.50	HBW - 75 L
90 S	75.00	85.00	M90	17.50	48.00	100.00	110.00	HBW - 90 S
90 L	78.40	88.50	M90	17.50	48.00	102.00	115.00	HBW - 90 L

BW CABLE GLAND (2 PART)

Similar In application and design to the BW (3 part) Gland. But 2 part armoured lock. Knurled lock produces a low resistance earth clip.



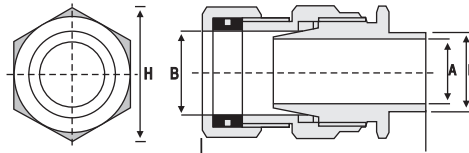
CW CABLE GLANDS (4 PART)

Application : For use with armoured cables, secures armouring & provides electrical continuity between armour & gland entry component. Also provides a seal on the outer sheath of the cable thus ensuring mechanical strength and no damage to cable sheathing. With compression type sealing technique these are used for both indoor and outdoor in all climate conditions as it is weatherproof & waterproof.

Design Features : Compliant to BS 6121 -1 : 2005, 4 part armour lock with cone and lock ring provided for additional grip to the armour.

Ingress Protection : IP 66

Also available in CIEL (Cast Integral Earth Lug). For orders add 'C' to Prod. Code.



Size	Cable Dimensions Accomodate		Gland Dimensions					Product Code
	Under Armour Dia. A Max. mm	Overall Dia. B Max. mm	ISO Entry Thread		Approx length from shoulder	Hexagon Size		
			Dia. D mm	Length E mm		Across flat G mm	Across corners H mm	
16 S	9.00	12.00	M16	10.00	40.00	20.00	22.00	HCW -16 S
16 L	9.00	12.00	M16	10.00	40.00	20.00	22.00	HCW -16 L
20 S	12.50	15.00	M20	10.00	42.00	22.00	24.00	HCW - 20 S
20 L	14.30	19.00	M20	10.00	42.00	26.00	29.00	HCW - 20 L
25 S	18.50	23.00	M25	10.00	44.00	32.00	36.00	HCW - 25 S
25 L	20.70	27.00	M25	10.00	44.00	35.00	38.00	HCW - 25 L
32 S	27.00	30.00	M32	11.00	46.00	42.00	45.50	HCW - 32 S
32 L	27.00	32.50	M32	11.00	46.00	42.00	45.50	HCW - 32 L
40 S	32.50	38.00	M40	13.00	50.00	49.50	55.00	HCW - 40 S
40 L	33.00	39.00	M40	13.00	50.00	57.00	62.00	HCW - 40 L
50 S	39.80	46.00	M50	13.00	57.00	51.00	61.00	HCW - 50 S
50 L	44.50	51.00	M50	13.00	57.00	62.50	69.00	HCW - 50 L
63 S	50.50	58.00	M63	14.00	70.00	72.00	78.50	HCW - 63 S
63 L	56.50	62.00	M63	14.00	61.00	77.00	84.00	HCW - 63 L
75 S	63.50	69.00	M75	14.00	65.00	83.50	94.00	HCW - 75 S
75 L	68.00	74.50	M75	15.00	66.00	91.00	101.00	HCW - 75 L
90 S	74.00	84.00	M90	17.00	80.00	100.00	110.00	HCW - 90 S
90 L	82.00	89.00	M90	17.00	82.00	102.00	114.00	HCW - 90 L

CW GLAND (3 PART)

Similar In application and design to the CW (4 part) gland. But 2 part armour / earth lock, knurled lock produces a low resistance earth clip.

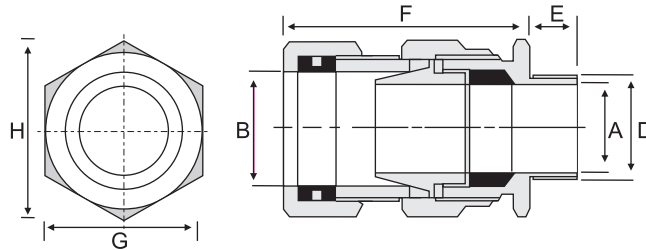


E1W CABLE GLANDS

Application : For use with all types of SWA extruded bedding cables where it is essential to produce an IP 66 seal on to the outer sheath and also produce an IP 66 or explosion proof seal on the inner sheath. It provides seals to both inner sheath and outer sheath of the cable.

Design Features : 2 part armour / earth lock, knurled armour lock produces a low resistance earth clip, inner and outer displacement seal, rated at IP 66 in conjunction with entry thread seal.

Also available in CIEL (Cast Intergral Earth Lug), for orders add "C" to Prod. code

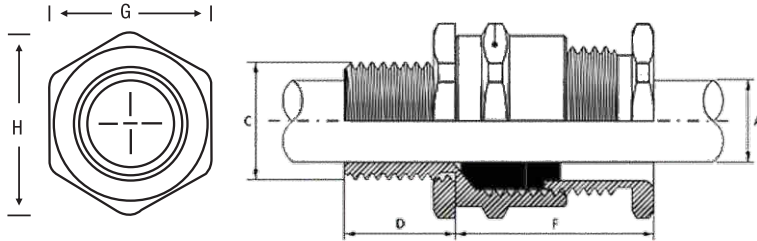


Size	Cable Dimensions Accomodate		Gland Dimensions					Product Code
	Under Armour Dia. A Max. mm	Overall Dia. B Max. mm	ISO Entry Thread Dia. Length		Approx length from shoulder F mm	Hexagon Size		
			D mm	E mm		Across flat G mm	Across corners H mm	
16 s	8.00	11.00	M16	10.00	45.00	20.00	22.00	HE1W - 16 S
16 L	9.00	13.50	M16	10.00	45.00	22.00	24.00	HE1W - 16 L
20 S	12.00	15.00	M20	10.50	45.00	22.00	24.00	HE1W - 20 S
20 L	14.00	20.00	M20	10.50	45.00	27.00	30.00	HE1W - 20 L
25 S	18.50	23.00	M25	10.50	50.00	31.50	35.50	HE1W - 25 S
25 L	20.40	27.00	M25	10.50	50.00	35.00	38.50	HE1W - 25 L
32 S	26.50	32.00	M32	13.00	60.00	41.00	46.00	HE1W - 32 S
32 L	26.50	32.00	M32	13.00	60.00	41.00	46.00	HE1W - 32 L
40 S	32.00	38.00	M40	15.00	60.00	51.50	51.00	HE1W - 40 S
40 L	34.00	41.00	M40	15.00	60.00	50.00	56.00	HE1W - 40 L
50 S	41.00	46.00	M50	15.00	65.00	57.00	64.00	HE1W - 50 S
50 L	44.00	52.00	M50	15.00	65.00	62.00	68.00	HE1W - 50 L
63 S	51.00	57.00	M63	15.00	65.00	70.00	79.00	HE1W - 63 S
63 L	55.50	64.00	M63	15.00	65.00	79.00	86.00	HE1W - 63 L
75 S	62.00	70.00	M75	15.00	75.00	84.00	95.00	HE1W - 75 S
75 L	67.50	77.00	M75	15.00	75.00	92.00	102.50	HE1W - 75 L
90 S	78.00	94.00	M90	18.00	90.00	104.00	115.00	HE1W - 90 S
90 L	80.00	96.00	M90	18.00	90.00	112.00	125.00	HE1W - 90 L

A1 / A2 CABLE GLANDS

Application : For use with all unarmoured cables with rubber outer sheath. Secures outer sheath of cable. Displacement seal concept makes it suitable for indoor and outdoor application.

Design Features : Compliant to BS EN 62444 : 2013.



Size	Cable Dimensions Accomodate		Gland Dimensions					Product Code
	Under Armour Dia. A Max. mm	Overall Dia. B Max. mm	ISO Entry Thread		Approx length from shoulder	Hexagon Size		
			Dia.	Length		Across flat	Across corners	
			D mm	E mm	F mm	G mm	H mm	
16 s	3.50	7.00	M16	10.00	20.00	22.00	24.00	HA2 - 16 S
16 L	4.50	8.50	M16	10.00	22.00	22.00	24.00	HA2 - 16 L
20 S	8.00	12.00	M20	10.00	24.00	22.00	24.50	HA2 - 20 S
20 L	12.00	15.00	M20	10.00	24.00	24.00	27.00	HA2 - 20 L
25 S	16.50	18.50	M25	15.00	25.00	27.00	30.00	HA2 - 25 S
25 L	18.00	21.50	M25	15.00	26.00	30.00	33.00	HA2 - 25 L
32 S	21.00	24.00	M32	15.00	28.00	34.50	38.00	HA2 - 32 S
32 L	23.00	28.00	M32	15.00	28.00	38.00	42.50	HA2 - 32 L
40 S	28.00	32.00	M40	19.00	31.00	42.00	47.00	HA2 - 40 S
40 L	31.00	34.00	M40	19.00	31.00	45.00	50.00	HA2 - 40 L
50 S	35.00	41.00	M50	19.00	33.00	55.00	61.00	HA2 - 50 S
50 L	41.00	45.00	M50	19.00	33.00	60.50	66.00	HA2 - 50 L
63 S	45.50	51.00	M63	20.00	35.00	69.00	76.00	HA2 - 63 S
63 L	52.00	55.00	M63	20.00	35.00	71.50	79.00	HA2 - 63 L
75 S	55.00	60.00	M75	16.00	35.00	77.00	85.00	HA2 - 75 S
75 L	60.00	68.00	M75	20.00	35.00	87.00	96.00	HA2 - 75 L
90 S	68.00	74.00	M90	20.00	50.00	100.00	112.00	HA2 - 90 S
90 L	74.00	78.00	M90	20.00	50.00	100.00	112.00	HA2 - 90 L
100 L	78.00	89.00	M100	22.00	50.00	112.00	125.00	HA2 - 100 L



GLAND KIT

Kit Packing :

16/20 -32 inclusive
 2-Brass glands
 2-Black PVC shrouds
 2-Galv. steel locknuts
 2-Brass earthtags

Kit Packing :

40-90 inclusive
 1-Brass glands
 1-Black PVC shrouds
 1-Galv. steel locknuts
 1-Brass earthtags



PVC SHROUD

Material : High Grade Poly Vinyl Chloride

Features :

- Provides additional protection & enhances IP rating of the Cable Gland.
- Effective solution to weather and corrosion protection of a Cable Gland.
- Available in same gland size compatible to each size of the cable gland.
- The narrow end of the sleeve is readily cut with a knife, enabling it to be slipped over a wide range of cable diameters and assists ease of installation.



LSF SHROUD

Material : High Grade Poly Vinyl Chloride

Features :

- Provides additional protection & enhances IP rating of the Cable Gland.
- Effective solution to weather and corrosion protection of a Cable Gland.



LOCK NUT

Material : Brass, Aluminium & Galvanized Steel.

Features :

- Used in fastening glands to the gland plate.
- Available in Metric, Imperial, NPT, BSPT, BSP, & PG.

Sizes : 16mm to 75mm

Size mm or inch.	Product Code	Size mm or inch.	Product Code
16mm or 5/8"	HGA LN-16	50mm or 2"	HGA LN-50
20mm or 3/4"	HGA LN-20	63mm or 2.1/2"	HGA LN-63
25mm or 1"	HGA LN-25	75mm or 3"	HGA LN-75
32mm or 1.1/4"	HGA LN-32	90mm or 3.1/2"	HGA LN-90
40mm or 1.1/2"	HGA LN-40		

Aluminium Cable Glands

Material : Aluminium Alloys

BWA Al. Cable Glands

Application

For Dry Indoor use with all types of extruded bending cable and are used for aluminum armoured termination

Size : M20 to M63

CWA Al. Cable Glands

Application

For Indoor/Outdoor use with all types of extruded bending cable and are used for aluminum armoured termination

Size : M20 to M63



EARTHING TAG

Material : Brass, Aluminium & Copper

Features :

- Means of connection or an earth bond around the cable gland.
- Available in various shapes and in all sizes.
- Ensures earth continuity between the electrical equipment & the gland.
- Can be coated or plated as per Customer Specification.



Metric	Product Code	Size	Product Code
M16	HGA ET-16	M50	HGA ET-50
M20	HGA ET-20	M63	HGA ET-63
M25	HGA ET-25	M75	HGA ET-75
M32	HGA ET-32	M80	HGA ET-80
		M90	HGA ET-90
		M100	HGA ET-100

MARINE - USE WATERTIGHT CABLE GLANDS

Material : Brass

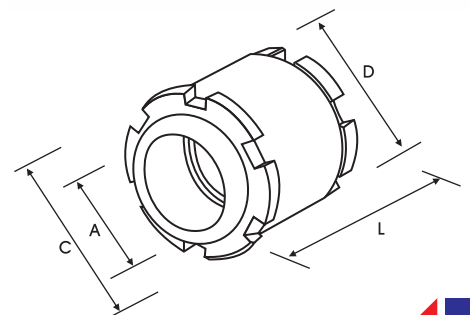
Finish : Nickel Plated

No. of Parts :

Body, Clamping Gland, Lock Nut, Two Brass Washers, Rubber Thread Seal, Rubber Inner Compression Ring.

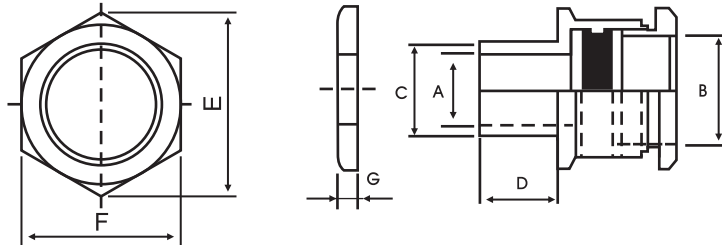
Size Range : 3/8" to 3"

Pipe Thread A	Gland ID in mm	Rubber ID C	Locknut OD in mm D	Gland OD in mm L	Total Length	Product Code
PF 3/8"	10	8	28	22	38	HCG-10
PF 1/2"	15	10	31.5	28	42	HCG-15
PF 3/4"	20	13	37	33.5	46	HCG-20
PF 1"	25	15	45	42	52	HCG-25
PF 1 1/4"	30	24	46	49.5	57	HCG-30
PF 1 1/2"	40	30	63	55	65	HCG-35
PF 1 1/2"	40	34	63	55	65	HCG-40
PF 2"	45	38	77	69	73	HCG-45
PF 2"	50	44	77	69	73	HCG-50
PF 2 1/2"	55	48	96	85	83	HCG-55
PF 2 1/2"	60	54	96	85	83	HCG-60
PF 3"	65	60	112	100	95	HCG-65
PF 3"	70	64	112	100	95	HCG-70



SINGLE COMPRESSION TYPE BRASS CABLE GLAND FOR UNARMoured CABLE

Application : For use with unarmoured cable, Secures and provides electrical continuity between unarmoured cable and gland entry component. Also provides a seal on the outer sheath of the cable thus ensuring no damage to cable sheathing. These are used both indoor and outdoor, in all climatic conditions as it is weatherproof & waterproof.



Suitable Cable Overall Dia.(mm)		Nipple Entry Thread		Cable Gland Dimensions							Product Code
From	To	Inch.	mm	A	B	C	D	E	F	G	
6.00	9.00	5/8"	16	12.00	12.50	15.50	5.00	17.50	20.00	2.50	HC - 3/8"
9.00	12.00	5/8"	16	12.00	15.00	15.50	6.50	20.30	23.50	2.50	HC - 5/8"
12.00	14.00	3/4"	19	15.50	15.50	18.50	6.50	20.30	23.50	2.50	HC - 5/8"
14.00	16.00	3/4"	19	15.00	17.80	18.50	6.50	22.30	25.50	2.50	HC - 3/4"
16.00	18.00	3/4"	19	15.50	20.00	18.50	8.00	24.40	28.00	3.00	HC - 7/8"
18.00	21.50	1"	25	21.50	23.50	25.00	8.00	28.00	32.00	3.00	HC - 1"
21.50	26.00	1 1/8"	28	25.30	28.00	28.00	8.50	33.60	38.60	3.50	HC - 1 1/8"
26.00	31.00	1 1/4"	32	27.70	31.50	32.00	9.00	36.50	42.00	3.50	HC - 1 1/4"
31.00	33.00	1 3/8"	35	31.00	33.70	35.00	9.50	39.50	45.00	4.00	HC - 1 3/8"
34.00	38.00	1 1/2"	38	33.80	39.00	38.00	9.50	44.50	51.30	4.50	HC - 1 1/2"
38.00	42.00	1 3/4"	45	41.00	44.50	45.00	11.00	50.30	58.00	4.00	HC - 1 3/4"
42.00	48.00	2"	50.5	45.70	51.75	50.50	11.50	58.00	67.00	4.50	HC - 2"
48.00	54.00	2 1/4"	57	52.50	57.50	57.00	11.00	64.00	73.50	4.50	HC - 2 1/4"
54.00	60.00	2 1/2"	63	58.00	62.50	63.00	12.00	69.50	80.50	5.00	HC - 2 1/2"
60.00	66.00	2 3/4"	70	63.00	69.00	75.50	14.00	77.00	89.00	4.50	HC - 2 3/4"
66.00	72.00	3"	75	70.00	75.50	81.50	14.00	83.00	95.50	5.00	HC - 3"
72.00	78.00	3 1/4"	82	76.50	81.50	81.50	15.00	90.50	104.50	5.00	HC - 3 1/4"
78.00	84.00	3 1/2"	88	76.00	85.00	81.50	15.00	94.50	109.00	5.00	HC - 3 1/2"
84.00	92.00	4"	100	93.00	101.00	99.00	16.00	111.00	128.00	5.00	HC - 4"

NICKEL PLATED BRASS CABLE GLAND WITH PG THREAD FOR UNARMoured

Material : Brass BS2874 CZ121 Finish : Nickel plated

Application

Outdoor / Indoor for use all braided unarmoured cable fittings.

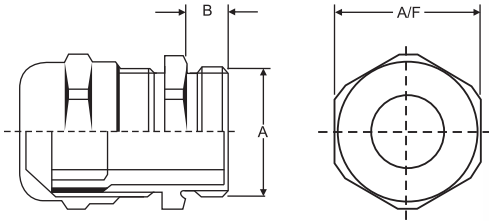
Size in PG

From PG - 7 to PG - 48



Thread	Product Code	Thread	Product Code
PG - 7	HPG - 7	PG - 21	HPG - 21
PG - 9	HPG - 9	PG - 29	HPG - 29
PG - 11	HPG - 11	PG - 36	HPG - 36
PG - 13.5	HPG - 13.5	PG - 42	HPG - 42
PG - 16	HPG - 16	PG - 48	HPG - 48

NICKEL PLATED BRASS GLAND - IP68 RATING - METRIC THREAD



This Metal Gland is a new unique product that is very different from traditional metal glands.

- IP68 rating - the highest possible.
- Superior strain relief
- Nickel plated brass for corrosion protection.
- Incorporates a unique 'camera shutter' principle which protects the cable.
- Fully insulated by plastic insert.
- Neoprene seal for fluid tightness.

The perfect gland for unarmoured PVC, XLPE and other synthetic cables.

Material
 Brass nickel plated
 Polyamide 6 insert - (self extinguishing)
 Neoprene seal - (self extinguishing)
 Neoprene O-Ring - (self extinguishing)

Continuous operating temperature
 -20 to 100°C

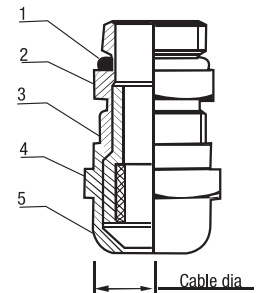
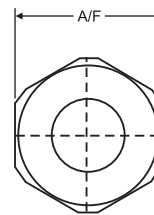
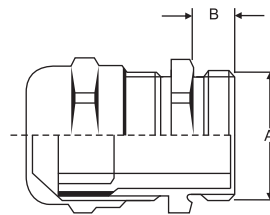
Chemical resistance
 Resistant to normal organic solvents, mineral, animal and vegetable oil and fat, petrol.

Threading
 According to IEC 423, IEC 423A and EN 60423

IP rating
 IP68

Mounting Thread		Min.	Max.	Width	Product	Pack
A Dia. (mm)	B Leng. (mm)	Cab. Ran. (mm)	Cab. Ran. (mm)	A/F (mm)	Code	Code
12.0	5.0	3.0	6.0	14.0	HIP 68 - 12	40
16.0	5.0	5.0	10.0	17.0	HIP 68 - 16	20
20.0	6.0	8.0	13.0	22.0	HIP 68 - 20	20
25.0	7.0	11.0	17.0	27.0	HIP 68 - 25	10
32.0	8.0	15.0	21.0	34.0	HIP 68 - 32	5
40.0	8.0	19.0	28.0	43.0	HIP 68 - 40	3
50.0	9.0	26.0	35.0	55.0	HIP 68 - 50	1
63.0	10.0	32.0	42.0	65.0	HIP 68 - 63	1
75.0	14.50	48.0	62.0	80.0	HIP 68 - 75	1

NICKEL PLATED BRASS GLAND - IP68 RATING - PG THREAD



Mounting Thread		Min.	Max.	Width	Product
A Dia. (mm)	B Leng. (mm)	Cable Dia. (mm)	Cable Dia. (mm)	A/F (mm)	Code
7.0	6.0	2.0	2.0	14.0	HIP 68 - 7
9.0	6.0	4.0	8.0	17.0	HIP 68 - 9
11.0	6.0	5.0	10.0	20.0	HIP 68 - 11
13.5	7.0	6.0	12.0	22.0	HIP 68 - 13.5
16.0	7.0	9.0	14.0	24.0	HIP 68 - 16
21.0	8.0	12.0	17.0	30.0	HIP 68 - 21
29.0	8.0	18.0	25.0	26.0	HIP 68 - 29
36.0	16.0	22.0	32.0	50.0	HIP 68 - 36
42.0	16.0	30.0	38.0	58.0	HIP 68 - 42
48.0	16.0	32.0	42.0	34.0	HIP 68 - 48

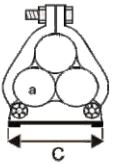
ALUMINIUM CABLE CLEATS TREFOIL

Single Fixing & Double Bolt Fixing

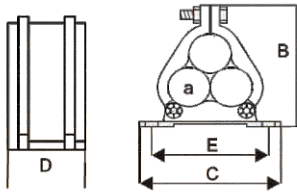
24 to 76 mm diameter cables in trefoil groups are available in either single or double fixing design. Operating temperature - 60°C to + 100°C



Single Fixing



Two Fixings



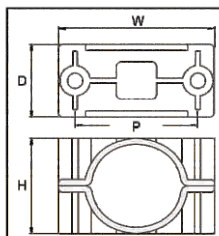
Cable Diameter mm	Dimensions (mm)					Product Code
	B	D	Single Fix. C	Double Fixing C E		
24-25	94	38	75	128	102	HATFC 24-25
25-27	97	38	75	128	102	HATFC 25-27
27-28	100	38	75	128	102	HATFC 27-28
28-30	103	38	76	130	104	HATFC 28-30
30-32	105	38	79	133	107	HATFC 30-32
32-34	106	38	83	135	109	HATFC 32-34
34-35	109	38	86	137	110	HATFC 34-35
35-36	113	38	89	138	113	HATFC 35-36
36-38	116	38	92	140	114	HATFC 36-38
38-40	119	38	95	145	118	HATFC 38-40
40-41	122	38	99	147	121	HATFC 40-41
41-43	124	38	105	149	123	HATFC 41-43
43-44	127	38	108	150	124	HATFC 43-44
44-46	130	38	112	154	128	HATFC 44-46
46-48	133	38	114	156	129	HATFC 46-48
48-49	137	38	118	159	133	HATFC 48-49
49-51	140	38	121	165	135	HATFC 49-51
51-53	143	38	124	165	137	HATFC 51-53
53-54	146	38	127	172	141	HATFC 53-54
54-55.5	155	44	133	183	152	HATFC 54-55.5
55.5-57	158	44	137	187	155	HATFC 55.5-57
57-59	160	44	141	189	157	HATFC 57-59
59-60	163	44	145	191	160	HATFC 59-60
60-62	165	44	148	194	162	HATFC 62-63.5
62-63.5	168	44	152	196	165	HATFC 62-63.5
63.5-65	172	44	156	199	168	HATFC 63.5-65
65-66.5	176	44	160	202	170	HATFC 65-66.5
66.5-68	178	44	164	205	173	HATFC 66.5-68
68-70	181	44	168	208	176	HATFC 68-70
70-71.5	187	44	171	215	183	HATFC 70-71.5
71.5-73	190	44	175	217	186	HATFC 71.5-73
73-74.5	193	44	179	220	188	HATFC 73-74.5
74.5-76	197	44	183	222	191	HATFC 74.5-76

Note : While ordering add the type : S for Single or D for Double

ALUMINIUM CABLE CLEATS DOUBLE TREFOIL

Double Bolt Fixing

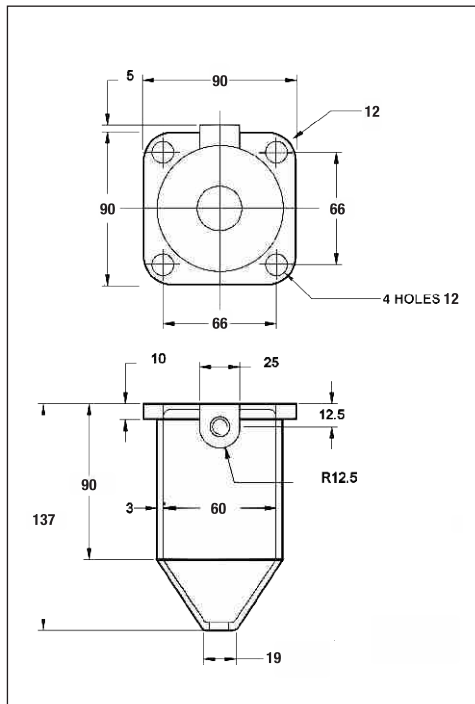
Suitable for use with cables from diameter 51 mm to 114 mm. Double piece, Double fixing design can be double stacked on common fixing. Operating temperature - 60°C to +100°C



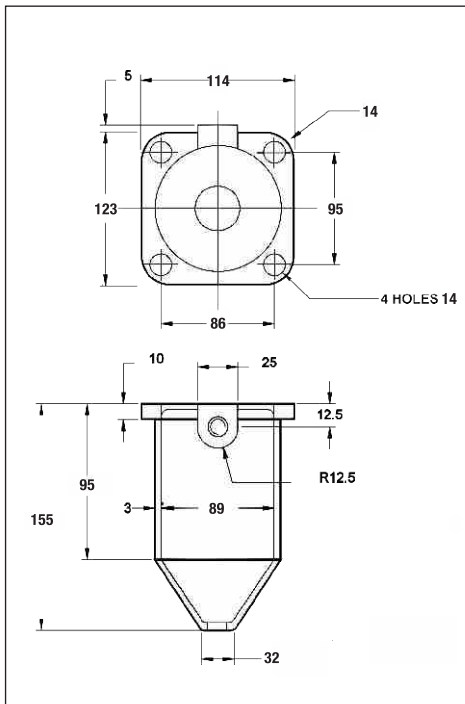
Cable Dia.(mm)	Dimensions (mm)				Fixing Hole	Product Code
	W	H	D	P		
30-40	70	46	40	57	M10	HATC 30-40
40-50	96	64	44	74	M10	HATC 40-50
51-57	96	68	59	76	M10	HATC 51-57
57-64	96	75	49	76	M10	HATC 57-64
64-70	96	84	64	118	M10	HATC 64-70
70-76	134	90	64	114	M10	HATC 70-76
76-83	142	96	64	114	M12	HATC 76-83
83-89	142	102	64	114	M12	HATC 83-89
89-95	154	114	64	114	M12	HATC 89-95
95-101	154	120	76	126	M12	HATC 95-101
101-108	169	134	76	140	M12	HATC 101-108
108-114	169	140	76	140	M12	HATC 108-114

WIPING GLAND

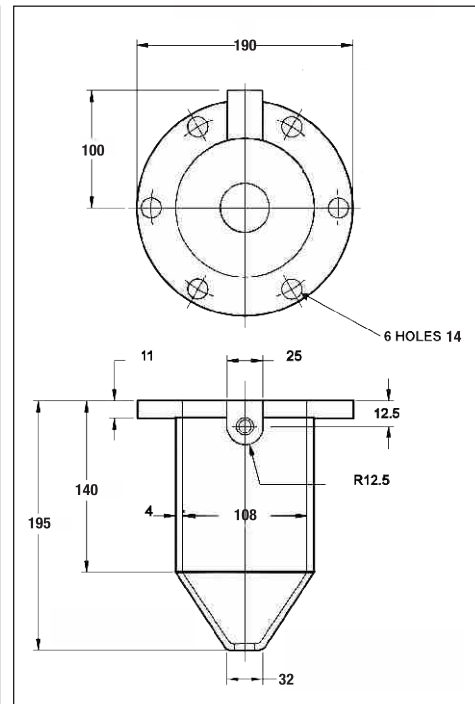
These are made from heavy duty Brass.



HWG - X



HWG - Y



HWG - Z

Other wiping glands are available as per customers drawings & specifications.

EARTH BAR

Earth Bar

Earth Bar with Plastic Base

No. of WAYS	Product Code	No. of WAYS	Product Code
6	HNB - 6	6	HEB - 6
12	HNB - 12	12	HEB - 12
18	HNB - 18	18	HEB - 18
24	HNB - 24	24	HEB - 24
30	HNB - 30	30	HEB - 30
36	HNB - 36	36	HEB - 36
42	HNB - 42	42	HEB - 42
48	HNB - 48	48	HEB - 48
60	HNB - 60	60	HEB - 60
72	HNB - 72	72	HEB - 72
84	HNB - 84	84	HEB - 84



Earth Bar



Earth Bar with Plastic Base