



**CABLE TERMINAL ENDS
CONNECTORS
CRIMPING TOOLS**

LIST OF TEST REPORTS & CERTIFICATIONS

CABLE LUGS & CONNECTORS				
S. NO	PRODUCT	SIZE / PRODUCT CODE	STANDARD / TEST	CERTIFYING BODY
1	BIMETALLIC LUGS	500 mm sq. / HSBT - 500	AS/NZS 4325:1:1995 (RECONFIRMED 2016) & IEC 61238-1 : 2003	SIRIM, QAS INTERNATIONAL, MALAYSIA
2	COPPER LUGS	120 mm sq. / HAHT - 120	AS/NZS 4325:1:1995 (RECONFIRMED 2016) & IEC 61238-1 : 2003	SIRIM, QAS INTERNATIONAL, MALAYSIA
3	ALUMINIUM LUGS	185 mm sq.	IEC 61238-1 : 2003	SIRIM, QAS INTERNATIONAL, MALAYSIA
4	COPPER LUGS	150 mm sq. / HAHT 150-12	MECHANICAL TEST AS PER AS/NZS 4325:1:1995 / IEC 1238 : 1993	CPRI, BANGALORE, INDIA
5	ALUMINIUM LUGS	185 mm sq.	IEC 61238-1 : 2003 (HEAT CYCLE TEST)	CPRI, BANGALORE, INDIA
6	ALUMINIUM LUGS	185 mm sq.	IEC 61238-1 : 2003 (SHORT CIRCUIT TEST)	CPRI, BANGALORE, INDIA
7	ALUMINIUM & COPPER LUGS	COPPER - 35 mm sq. & 300 mm sq.	MECHANICAL TEST AS PER IEC 61238-1 : 2003	CPRI, BANGALORE, INDIA
		ALUMINIUM - 300 mm sq.		
8	ALUMINIUM & COPPER LUGS	COPPER - 150 mm sq. & 35 mm sq.	MECHANICAL TEST (AS PER IEC 61238 : 2003)	CPRI, BANGALORE, INDIA
		ALUMINIUM - 120 mm sq. & 50 mm sq.		
9	COPPER CONNECTORS & LUGS	AS PER UL CERTIFICATE NO. 20161017-E307140	UL 486A-486B & CSA C22.2 NO. 65-13	UL
10	ALUMINIUM & COPPER LUGS	AL. CONNECTOR : HAXL-35	CENELEC HD 629 . 1 S1	KEMA
		COPPER LUG / TERMINAL HS-24		
11	COPPER LUGS	HT 150-16	SABS IEC 1238 : 1993	SABS, SOUTH AFRICA
12	ALUMINIUM & COPPER LUGS	BIMETALLIC CONNECTOR	ELECTRICAL & MECHANICAL TEST	PSB CORPORATION, SINGAPORE

DEFINITIONS

- **CABLE TERMINAL END** : As per international specifications a Cable Terminal End is a connecting device with a barrel accommodating respective conductor size of electrical cable & which has fixing arrangements of termination by means of a bolt fixing or pin insertions in tunnel type terminal blocks.
- **IN-LINE CONNECTOR** : This is a device accommodating two electrical conductors to form a straight joint.

PRODUCT USAGE

A) CABLE TERMINAL ENDS, INLINE CONNECTORS / FERRULES & REDUCERS

HEX offers a vast range of Cable Terminal Ends, Inline Connectors / Ferrules & Reducers suitable for low, medium & high voltage applications. Manufactured from high strength, high conductivity electrolytic copper and aluminium alloy materials like tubes, rods or sections of other profiles, they conform to the relevant national (IS) or various international standards like, BS, IEC, UL, DIN, etc. Entry to the terminal is either chamfered or bell-mouthed for faster & easier entry of the conductor. They can be supplied with or without tin plating.

- 1) **CABLE TERMINAL ENDS** : They are basically used to terminate power cables to the electrical equipment or for grounding applications.
- 2) **INLINE CONNECTORS / FERRULES** : Whenever two cables have to be joined together in a straight line, Inline Connectors or Ferrules are used to ensure a safe, straight electrical connection.
- 3) **REDUCER PIN TYPE TERMINAL ENDS** : Made from round rods, these terminals are generally used for fixing cables in tunnel type blocks, cut-outs, meters, etc.

B) COPPER SHEET CABLE TERMINAL ENDS

Our entire range of Ring, Fork/Spade & Pin Type Tinned Copper Cable Terminal Ends (Insulated & Non-Insulated) is manufactured from high conductivity copper and they are electro-tinned for corrosion resistance. These terminals are available in different sizes, to serve the different joining techniques such as Crimping, Soldering and Welding. They are generally used for terminating low voltage cables.

Insulation plays a crucial role in the life and conductivity of an electrical connection. HEX PVC insulated terminals are cost effective as compared to nylon & heat shrink sleeve insulated terminals. The insulation support helps prevent wire damage in bending applications.

- 1) **RING TYPE TERMINAL ENDS** : Generally used for termination of flexible cables to Control Panels, Meters & other such equipment these terminals ensure a secure connection in high vibration applications.
- 2) **FORK/SPADE TYPE TERMINAL ENDS** : A Fork/Spade terminal is easy to use, and is a fast process for connecting electrical wires because the screw or bolt can be left partially screwed in when a terminal is attached or removed. This fact alone can save time in the long run especially on larger jobs.
- 3) **PIN TYPE TERMINAL ENDS** : These terminals are used for terminating cables in terminal blocks with tunnels. HEX offers them in 3 types, round, regular & flat.

FIELD OF APPLICATIONS

- Electricity Boards : Power Generation, Transmission, Distribution, etc.
- Electrical Industries : Control Panels, Switchgear, Transformers, Circuit Breakers, etc.
- Various Industries : Refineries, Telecom, Chemical, Steel, Mining, Cement, Automobile, Shipping, Aeronautics, Railways & many more.

HEX has vast experience, technical know-how & substantial capability to provide solutions to all your customized needs of cable lugs & connectors.

SPECIFICATIONS:

'HEX' range of cable terminals ends have been designed to meet international standards. This ensures compliance with the demands of a majority of end users like electrical authorities, contractors, switch board panel builders, electrical wholesale outlets and traders.

Copper specification : Minimum 97% IACS to IS 191 standard

Copper finish : Electro Tinned to IS 1359 standard

The HEX range of terminals meets above specifications and also refer to the following standard:

- Compression joints for copper connections as per BS 4579 part I 1970 (now BS EN 61238:1:2003)

We also manufacture following terminals as per DIN standards:

- Copper sealing ferrules Eq to DIN 46228
- Copper Tubular terminals Eq to DIN 46235
- Copper Connectors Eq to DIN 46267

TEST FACILITIES:

Our engineers utilize extensive in-house testing facilities to ensure the integrity and performance of every product, that rolls out of our plant.

TOOL ROOM AND CALIBRATION:

We have in-house facilities for making tools & dies for manufacturing our products. Our fully trained technicians continuously monitor and maintain the tooling and all the equipments are calibrated at regular intervals by registered bodies.

QUALITY:

HEX has set strict standards for itself, which it maintains without any compromises. Our focus is on the following areas:

- Knowing the customer's needs
- Faultless planning
- Certified performance
- Clear instruction manual
- Timely delivery
- Efficient after sales service
- Feedback & control
- Value for money

STOCK AVAILABILITY:

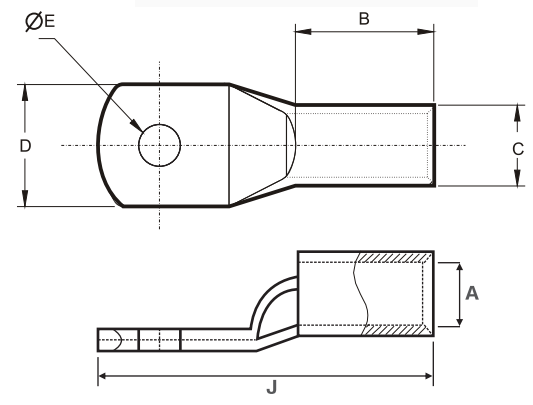
Our modern warehousing facilities and storage ensure availability of the complete range of products and its prompt dispatch. Strategically positioned, all the complexes are technologically equipped to streamline order processing and delivery.

CRIMPING TYPE COPPER TUBULAR CABLE TERMINAL ENDS



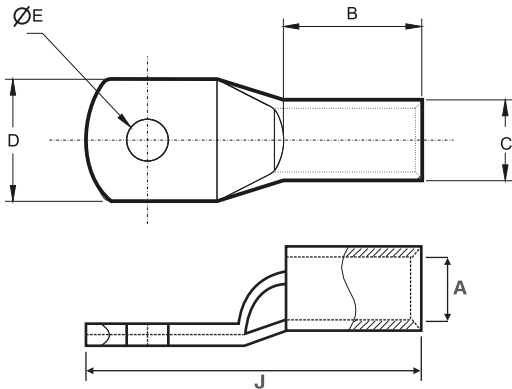
MATERIAL : E - COPPER • FINISH : ELECTRO TINNED

Cable mm ²	Stud Hole E	Dimensions in mm					Product Code	
		A	C	D	B	J		
1.5	4.2	1.8	3.7	8.0	6.0	17.0	HT 1.5 - 4	
	5.2	1.8	3.7	8.0	6.0	17.0	HT 1.5 - 5	
	6.5	1.8	3.7	10.0	6.0	18.0	HT 1.5 - 6	
	8.4	1.8	3.7	12.0	7.0	24.0	HT 1.5 - 8	
2.5	4.2	2.4	4.0	8.0	8.0	19.0	HT 2.5 - 4	
	5.2	2.4	4.0	8.0	8.0	19.0	HT 2.5 - 5	
	6.5	2.4	4.0	10.0	8.0	21.0	HT 2.5 - 6	
	8.4	2.4	4.0	12.0	8.0	26.0	HT 2.5 - 8	
4	4.2	3.1	4.8	10.0	8.0	21.0	HT 4 - 4	
	5.2	3.1	4.8	10.0	8.0	21.0	HT 4 - 5	
	6.5	3.1	4.8	10.0	8.0	21.0	HT 4 - 6	
	8.4	3.1	4.8	12.0	8.0	26.0	HT 4 - 8	
	10.5	3.1	4.8	15.0	9.0	30.0	HT 4 - 10	
6	4.2	3.8	5.5	10.0	10.0	24.0	HT 6 - 4	
	5.2	3.8	5.5	10.0	10.0	24.0	HT 6 - 5	
	6.5	3.8	5.5	10.0	10.0	24.0	HT 6 - 6	
	8.4	3.8	5.5	12.0	10.0	28.0	HT 6 - 8	
	10.5	3.8	5.5	15.0	10.0	32.0	HT 6 - 10	
10	5.2	4.5	6.2	11.0	10.0	26.0	HT 10 - 5	
	6.5	4.5	6.2	11.0	10.0	26.0	HT 10 - 6	
	8.4	4.5	6.2	12.0	10.0	28.0	HT 10 - 8	
	10.5	4.5	6.8	15.0	11.0	33.0	HT 10 - 10	
	13.0	4.5	6.8	18.0	11.0	36.0	HT 10 - 12	
16	5.2	5.4	7.1	12.0	12.0	30.0	HT 16 - 5	
	6.5	5.4	7.1	12.0	12.0	30.0	HT 16 - 6	
	8.4	5.4	7.1	12.0	12.0	30.0	HT 16 - 8	
	10.5	5.5	7.6	15.0	12.0	36.0	HT 16 - 10	
	13.0	5.5	7.6	17.0	12.0	39.0	HT 16 - 12	
20	5.2	5.5	7.6	21.0	12.0	44.0	HT 16 - 16	
	8.4	6.0	7.7	12.0	12.0	32.0	HT 20 - 8	
	25	6.5	6.8	8.8	13.0	12.0	30.0	HT 25 - 6
		8.4	6.8	8.8	13.0	12.0	30.0	HT 25 - 8
		10.5	6.8	8.8	15.0	13.0	36.0	HT 25 - 10
13.0		6.8	9.2	17.0	15.0	41.0	HT 25 - 12	
17.0		6.8	9.2	21.0	15.0	47.0	HT 25 - 16	
35	6.5	8.2	10.6	15.3	13.5	37.0	HT 35 - 6	
	8.4	8.2	10.6	15.3	13.5	37.0	HT 35 - 8	
	10.5	8.2	10.6	15.3	13.5	37.0	HT 35 - 10	
	13.0	8.2	10.6	18.0	13.5	41.0	HT 35 - 12	
	17.0	8.2	10.6	22.0	13.5	50.0	HT 35 - 16	
50	6.5	9.5	12.4	17.8	17.0	41.0	HT 50 - 6	
	8.4	9.5	12.4	17.8	17.0	41.0	HT 50 - 8	
	10.5	9.5	12.4	17.8	17.0	41.0	HT 50 - 10	
	13.0	9.5	12.4	20.0	17.0	45.0	HT 50 - 12	
	14.5	9.5	12.4	22.0	18.0	54.0	HT 50 - 14	
	17.0	9.5	12.4	22.0	18.0	54.0	HT 50 - 16	
	21.0	9.5	12.4	26.0	18.0	62.0	HT 50 - 20	
70	8.4	11.3	14.6	21.0	18.5	47.0	HT 70 - 8	
	10.5	11.3	14.6	21.0	18.5	47.0	HT 70 - 10	

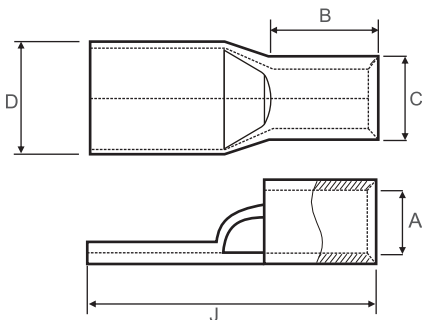


Tolerance on dimensions are as per UL FUS.





For 800 & 1000 mm²



Cable mm ²	Stud Hole E	Dimensions in mm					Product Code
		A	C	D	B	J	
70	13.0	11.3	14.6	21.0	18.5	47.0	HT 70 - 12
	14.5	11.3	14.6	22.0	18.5	55.0	HT 70 - 14
	17.0	11.3	14.6	26.0	18.5	56.0	HT 70 - 16
	21.0	11.3	14.6	28.0	18.5	63.0	HT 70 - 20
95	8.4	13.5	17.4	25.0	21.0	53.0	HT 95 - 8
	10.5	13.5	17.4	25.0	21.0	53.0	HT 95 - 10
	13.0	13.5	17.4	25.0	21.0	53.0	HT 95 - 12
	14.5	13.5	17.4	25.0	22.0	58.0	HT 95 - 14
	17.0	13.5	17.4	25.0	22.0	59.0	HT 95 - 16
	21.0	13.5	17.4	28.0	22.0	63.0	HT 95 - 20
120	8.4	15.0	19.4	28.0	23.0	60.0	HT 120 - 8
	10.5	15.0	19.4	28.0	23.0	60.0	HT 120 - 10
	13.0	15.0	19.4	28.0	23.0	60.0	HT 120 - 12
	14.5	15.0	19.4	28.0	23.0	60.0	HT 120 - 14
	17.0	15.0	19.4	28.0	23.0	65.0	HT 120 - 16
	21.0	15.0	19.4	28.0	23.0	65.0	HT 120 - 20
150	8.4	16.5	21.2	30.0	27.0	70.0	HT 150 - 8
	10.5	16.5	21.2	30.0	27.0	70.0	HT 150 - 10
	13.0	16.5	21.2	30.0	27.0	70.0	HT 150 - 12
	14.7	16.5	21.2	30.0	27.0	70.0	HT 150 - 14
	17.0	16.5	21.2	30.0	27.0	70.0	HT 150 - 16
	21.0	16.5	21.2	30.0	27.0	70.0	HT 150 - 20
185	10.5	18.5	23.5	34.0	32.0	80.0	HT 185 - 10
	13.0	18.5	23.5	34.0	32.0	80.0	HT 185 - 12
	14.7	18.5	23.5	34.0	32.0	80.0	HT 185 - 14
	17.0	18.5	23.5	34.0	32.0	80.0	HT 185 - 16
	21.0	18.5	23.5	34.0	32.0	80.0	HT 185 - 20
240	10.5	21.0	26.5	38.0	39.0	94.0	HT 240 - 10
	13.0	21.0	26.5	38.0	39.0	94.0	HT 240 - 12
	14.7	21.0	26.5	38.0	39.0	94.0	HT 240 - 14
	17.0	21.0	26.5	38.0	39.0	94.0	HT 240 - 16
	21.0	21.0	26.5	38.0	39.0	94.0	HT 240 - 20
	BL	21.0	26.5	38.0	39.0	94.0	HT 240 - BL
300	10.5	23.5	30.0	43.0	42.0	102.0	HT 300 - 10
	13.0	23.5	30.0	43.0	42.0	102.0	HT 300 - 12
	14.7	23.5	30.0	43.0	42.0	102.0	HT 300 - 14
	17.0	23.5	30.0	43.0	42.0	102.0	HT 300 - 16
	21.0	23.5	30.0	43.0	42.0	102.0	HT 300 - 20
	BL	23.5	30.0	43.0	42.0	102.0	HT 300 - BL
400	13.0	28.5	36.5	52.5	45.0	112.0	HT 400 - 12
	14.7	28.5	36.5	52.5	45.0	112.0	HT 400 - 14
	17.0	28.5	36.5	52.5	45.0	112.0	HT 400 - 16
	21.0	28.5	36.5	52.5	45.0	112.0	HT 400 - 20
	BL	28.5	36.5	52.5	45.0	112.0	HT 400 - BL
500	14.7	30.0	39.0	56.0	50.0	121.0	HT 500 - 14
	17.0	30.0	39.0	56.0	50.0	121.0	HT 500 - 16
	21.0	30.0	39.0	56.0	50.0	121.0	HT 500 - 20
	BL	30.0	39.0	56.0	50.0	121.0	HT 500 - BL
*630	14.7	35.0	45.0	63.8	60.0	144.0	HT 630 - 14
	17.0	35.0	45.0	63.8	60.0	144.0	HT 630 - 16
	21.0	35.0	45.0	63.8	60.0	144.0	HT 630 - 20
	BL	35.0	45.0	63.8	60.0	144.0	HT 630 - BL
*800	BL	39.0	50.6	72.0	78.0	170.0	HT 800 - BL
*1000	BL	43.0	56.2	78.5	90.0	200.0	HT 1000 - BL

Tolerance on dimensions are as per UL FUS.

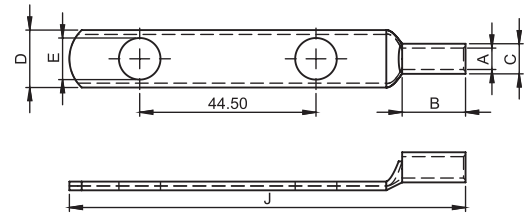
* Not UL Listed.

CRIMPING TYPE COPPER TUBULAR CABLE TERMINAL ENDS



MATERIAL : E - COPPER • FINISH : ELECTRO TINNED

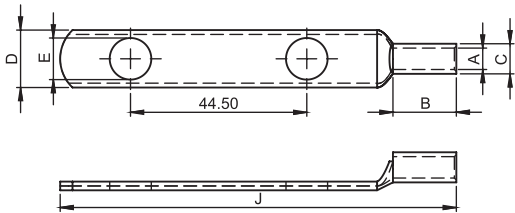
Cable Size		Stud Hole E	Dimensions in mm					Product Code
mm ²	AWG		A	C	D	B Strip Length	J	
16	#6	5.2	5.4	7.1	12.0	16.0	100.0	HT 16 2ER-5
		6.5	5.4	7.1	12.0	16.0	100.0	HT 16 2ER-6
		8.4	5.4	7.1	12.0	16.0	100.0	HT 16 2ER-8
		10.5	5.5	7.6	15.0	16.0	100.0	HT 16 2ER-10
		13	5.5	7.6	17.0	16.0	100.0	HT 16 2ER-12
		17	5.5	7.6	21.0	16.0	105.0	HT 16 2ER-16
20	#4	8.4	6.0	7.7	12.0	16.0	100.0	HT 20 2ER-8
25	#3	6.5	6.8	8.8	13.0	16.0	100.0	HT 25 2ER-6
		8.4	6.8	8.8	13.0	16.0	100.0	HT 25 2ER-8
		10.5	6.8	8.8	15.0	16.0	100.0	HT 25 2ER-10
		13	6.8	9.2	17.0	16.0	100.0	HT 25 2ER-12
		17	6.8	9.2	21.0	16.0	105.0	HT 25 2ER-16
35	#2	6.5	8.2	10.6	15.3	16.0	100.0	HT 35 2ER-6
		8.4	8.2	10.6	15.3	16.0	100.0	HT 35 2ER-8
		10.5	8.2	10.6	15.3	16.0	100.0	HT 35 2ER-10
		13	8.2	10.6	18.0	16.0	100.0	HT 35 2ER-12
		17	8.2	10.6	22.0	16.0	105.0	HT 35 2ER-16
50	1/0	6.5	9.5	12.4	17.8	25.0	109.0	HT 50 2ER-6
		8.4	9.5	12.4	17.8	25.0	109.0	HT 50 2ER-8
	MCM	10.5	9.5	12.4	17.8	25.0	109.0	HT 50 2ER-10
		13	9.5	12.4	20.0	25.0	109.0	HT 50 2ER-12
		13	9.5	12.4	18.0	25.0	109.0	HT 50 2ER-12
		14.5	9.5	12.4	22.0	25.0	112.0	HT 50 2ER-14
		17	9.5	12.4	22.0	25.0	114.0	HT 50 2ER-16
		21	9.5	12.4	26.0	25.0	119.0	HT 50 2ER-20
70	2/0	8.4	11.3	14.6	21.0	30.0	114.0	HT 70 2ER-8
		10.5	11.3	14.6	21.0	30.0	114.0	HT 70 2ER-10
	MCM	13	11.3	14.6	21.0	30.0	114.0	HT 70 2ER-12
		14.5	11.3	14.6	22.0	30.0	118.0	HT 70 2ER-14
		17	11.3	14.6	26.0	30.0	120.0	HT 70 2ER-16
95	3/0	8.4	13.5	17.4	25.0	30.0	116.0	HT 95 2ER-8
		10.5	13.5	17.4	25.0	30.0	116.0	HT 95 2ER-10
	MCM	13	13.5	17.4	25.0	30.0	116.0	HT 95 2ER-12
		14.5	13.5	17.4	25.0	30.0	118.0	HT 95 2ER-14
		17	13.5	17.4	25.0	30.0	120.0	HT 95 2ER-16
120	4/0	8.4	15.0	19.4	28.0	35.0	122.0	HT 120 2ER-8
		10.5	15.0	19.4	28.0	35.0	122.0	HT 120 2ER-10
	MCM	13	15.0	19.4	28.0	35.0	122.0	HT 120 2ER-12
		14.5	15.0	19.4	28.0	35.0	125.0	HT 120 2ER-14
		17	15.0	19.4	28.0	35.0	128.0	HT 120 2ER-16
150	250	8.4	16.5	21.2	30.0	40.0	126.0	HT 150 2ER-8
		10.5	16.5	21.2	30.0	40.0	126.0	HT 150 2ER-10
	MCM	13	16.5	21.2	30.0	40.0	126.0	HT 150 2ER-12
		14.7	16.5	21.2	30.0	40.0	132.0	HT 150 2ER-14
		17	16.5	21.2	30.0	40.0	134.0	HT 150 2ER-16
		21	16.5	21.2	30.0	40.0	139.0	HT 150 2ER-20





CRIMPING TYPE COPPER TUBULAR CABLE TERMINAL ENDS

MATERIAL : E - COPPER • FINISH : ELECTRO TINNED



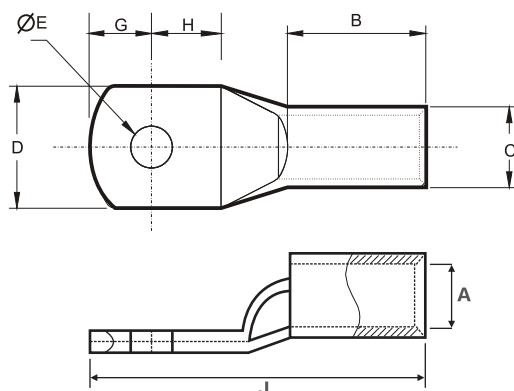
Cable Size		Stud	Dimensions in mm					Product Code
mm ²	AWG	Hole E	A	C	D	B Strip Length	J	
185	350	10.5	18.5	23.5	34.0	42.0	132.0	HT 185 2ER-10
		13	18.5	23.5	34.0	42.0	132.0	HT 185 2ER-12
		14.7	18.5	23.5	34.0	42.0	135.0	HT 185 2ER-14
		17	18.5	23.5	34.0	42.0	137.0	HT 185 2ER-16
		21	18.5	23.5	34.0	42.0	142.0	HT 185 2ER-20
240	500	10.5	21.0	26.5	38.0	50.0	143.0	HT 240 2ER-10
		13	21.0	26.5	38.0	50.0	143.0	HT 240 2ER-12
		14.7	21.0	26.5	38.0	50.0	145.0	HT 240 2ER-14
		17	21.0	26.5	38.0	50.0	147.0	HT 240 2ER-16
		21	21.0	26.5	38.0	50.0	152.0	HT 240 2ER-20
		BL	21.0	26.5	38.0	50.0	143.0	HT 240 2ER-BL
300	600	10.5	23.5	30.0	43.0	55.0	144.0	HT 300 2ER-10
		13	23.5	30.0	43.0	55.0	144.0	HT 300 2ER-12
		14.7	23.5	30.0	43.0	55.0	151.0	HT 300 2ER-14
		17	23.5	30.0	43.0	55.0	153.0	HT 300 2ER-16
		21	23.5	30.0	43.0	55.0	158.0	HT 300 2ER-20
		BL	23.5	30.0	43.0	55.0	144.0	HT 300 2ER-BL
400	750	13	28.5	36.5	52.5	60.0	149.0	HT 400 2ER-12
		14.7	28.5	36.5	52.5	60.0	158.0	HT 400 2ER-14
		17	28.5	36.5	52.5	60.0	160.0	HT 400 2ER-16
		21	28.5	36.5	52.5	60.0	165.0	HT 400 2ER-20
		BL	28.5	36.5	52.5	60.0	149.0	HT 400 2ER-BL
500	1000	13.0	30.0	39.0	56.0	65.0	160.0	HT 500 2ER-12
		14.7	30.0	39.0	56.0	65.0	163.0	HT 500 2ER-14
		17	30.0	39.0	56.0	65.0	165.0	HT 500 2ER-16
		21	30.0	39.0	56.0	65.0	170.0	HT 500 2ER-20
		BL	30.0	39.0	56.0	65.0	160.0	HT 500 2ER-BL

Note : Tolerance on dimensions are as per UL FUS.

CRIMPING TYPE COPPER TUBULAR CABLE TERMINAL ENDS - ECONOMY RANGE

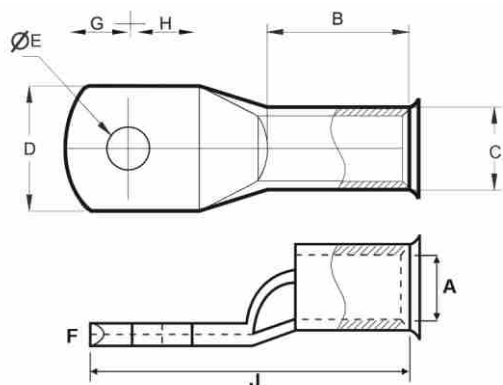
MATERIAL : E - COPPER • FINISH : ELECTRO TINNED

Cable mm ²	Stud Hole E	Dimensions in mm ± 3%							Product Code
		A	C	D	G	H	B	J	
35	6.5	8.0	10.0	14.5	9.0	9.0	13.5	37.0	HLT 35 - 6
	8.4	8.0	10.0	14.5	9.0	9.0	13.5	37.0	HLT 35 - 8
	10.5	8.0	10.0	14.5	9.0	9.0	13.5	37.0	HLT 35 - 10
	13.0	8.0	10.0	18.0	10.0	12.0	13.5	41.0	HLT 35 - 12
	17.0	8.0	10.0	22.0	14.0	16.0	13.5	50.0	HLT 35 - 16
50	6.5	9.2	11.2	16.5	8.0	11.0	17.0	42.0	HLT 50 - 6
	8.4	9.2	11.2	16.5	9.0	10.0	17.0	42.0	HLT 50 - 8
	10.5	9.2	11.2	16.5	9.0	10.0	17.0	42.0	HLT 50 - 10
	13.0	9.2	11.2	20.0	10.0	12.0	17.0	45.0	HLT 50 - 12
	15.0	9.2	11.2	22.0	15.0	15.0	17.0	53.0	HLT 50 - 14
	17.0	9.2	11.2	22.0	15.0	15.0	17.0	53.0	HLT 50 - 16
70	21.0	9.2	11.2	26.0	16.0	18.0	18.0	60.0	HLT 50 - 20
	8.4	11.5	13.8	20.0	11.0	11.0	18.5	47.0	HLT 70 - 8
	10.5	11.5	13.8	20.0	11.0	11.0	18.5	47.0	HLT 70 - 10
	13.0	11.5	13.8	20.0	10.0	12.0	18.5	47.0	HLT 70 - 12
	15.0	11.5	13.8	20.0	14.0	15.0	18.5	55.0	HLT 70 - 14
	17.0	11.5	13.8	22.0	14.0	16.0	18.5	56.0	HLT 70 - 16
95	21.0	11.5	13.8	24.0	16.0	18.0	18.5	63.0	HLT 70 - 20
	8.4	12.8	15.6	23.0	12.0	13.0	21.0	53.0	HLT 95 - 8
	10.5	12.8	15.6	23.0	12.0	13.0	21.0	53.0	HLT 95 - 10
	13.0	12.8	15.6	23.0	12.0	13.0	21.0	53.0	HLT 95 - 12
	15.0	12.8	15.6	23.0	14.0	15.0	22.0	58.0	HLT 95 - 14
120	17.0	12.8	15.6	23.0	14.0	16.0	22.0	59.0	HLT 95 - 16
	21.0	12.8	15.6	26.0	16.0	16.0	22.0	63.0	HLT 95 - 20
	8.4	14.8	17.8	26.0	13.0	14.0	23.0	60.0	HLT 120 - 8
	10.5	14.8	17.8	26.0	13.0	14.0	23.0	60.0	HLT 120 - 10
	13.0	14.8	17.8	26.0	13.0	14.0	23.0	60.0	HLT 120 - 12
150	15.0	14.8	17.8	26.0	13.0	14.0	23.0	60.0	HLT 120 - 14
	17.0	14.8	17.8	26.0	16.0	16.0	23.0	64.0	HLT 120 - 16
	21.0	14.8	17.8	26.0	16.0	20.0	23.0	68.0	HLT 120 - 20
	8.4	16.0	19.6	28.5	16.0	16.0	27.0	70.0	HLT 150 - 8
	10.5	16.0	19.6	28.5	16.0	16.0	27.0	70.0	HLT 150 - 10
185	13.0	16.0	19.6	28.5	16.0	16.0	27.0	70.0	HLT 150 - 12
	15.0	16.0	19.6	28.5	16.0	16.0	27.0	70.0	HLT 150 - 14
	17.0	16.0	19.6	28.5	16.0	16.0	27.0	70.0	HLT 150 - 16
	21.0	16.0	19.6	28.5	16.0	16.0	27.0	70.0	HLT 150 - 20
	10.5	18.0	22.0	32.0	17.0	19.0	32.0	80.0	HLT 185 - 10
240	13.0	18.0	22.0	32.0	17.0	19.0	32.0	80.0	HLT 185 - 12
	15.0	18.0	22.0	32.0	17.0	19.0	32.0	80.0	HLT 185 - 14
	17.0	18.0	22.0	32.0	17.0	19.0	32.0	80.0	HLT 185 - 16
	21.0	18.0	22.0	32.0	17.0	19.0	32.0	80.0	HLT 185 - 20
300	10.5	22.0	26.0	38.0	20.0	21.0	39.0	94.0	HLT 240 - 10
	13.0	22.0	26.0	38.0	20.0	21.0	39.0	94.0	HLT 240 - 12
	15.0	22.0	26.0	38.0	20.0	21.0	39.0	94.0	HLT 240 - 14
	17.0	22.0	26.0	38.0	20.0	21.0	39.0	94.0	HLT 240 - 16
	21.0	22.0	26.0	38.0	20.0	21.0	39.0	94.0	HLT 240 - 20
400	10.5	24.0	28.7	42.0	22.0	23.0	42.0	102.0	HLT 300 - 10
	13.0	24.0	28.7	42.0	22.0	23.0	42.0	102.0	HLT 300 - 12
	15.0	24.0	28.7	42.0	22.0	23.0	42.0	102.0	HLT 300 - 14
	17.0	24.0	28.7	42.0	22.0	23.0	42.0	102.0	HLT 300 - 16
	21.0	24.0	28.7	42.0	22.0	23.0	42.0	102.0	HLT 300 - 20
	BL	24.0	28.7	42.0	22.0	23.0	42.0	102.0	HLT 300 - BL
500	13.0	28.0	33.2	49.0	25.0	25.0	45.0	112.0	HLT 400 - 12
	15.0	28.0	33.2	49.0	25.0	25.0	45.0	112.0	HLT 400 - 14
	17.0	28.0	33.2	49.0	25.0	25.0	45.0	112.0	HLT 400 - 16
	21.0	28.0	33.2	49.0	25.0	25.0	45.0	112.0	HLT 400 - 20
	BL	28.0	33.2	49.0	25.0	25.0	45.0	112.0	HLT 400 - BL
630	15.0	30.0	36.0	53.0	27.0	27.0	50.0	121.0	HLT 500 - 14
	17.0	30.0	36.0	53.0	27.0	27.0	50.0	121.0	HLT 500 - 16
	21.0	30.0	36.0	53.0	27.0	27.0	50.0	121.0	HLT 500 - 20
	BL	30.0	36.0	53.0	27.0	27.0	50.0	121.0	HLT 500 - BL
	15.0	35.0	41.5	61.0	25.0	25.0	70.0	144.0	HLT 630 - 14
800	17.0	35.0	41.5	61.0	25.0	25.0	70.0	144.0	HLT 630 - 16
	21.0	35.0	41.5	61.0	25.0	25.0	70.0	144.0	HLT 630 - 20
	BL	35.0	41.5	61.0	25.0	25.0	70.0	144.0	HLT 630 - BL
800	BL	39.0	46.3	67.0	-	-	78.0	170.0	HLT 800 - BL
1000	BL	43.0	53.8	76.0	-	-	90.0	200.0	HLT 1000 - BL



CRIMPING TYPE COPPER TUBULAR CABLE TERMINAL ENDS - BELL MOUTH

MATERIAL : E - COPPER • FINISH : ELECTRO TINNED



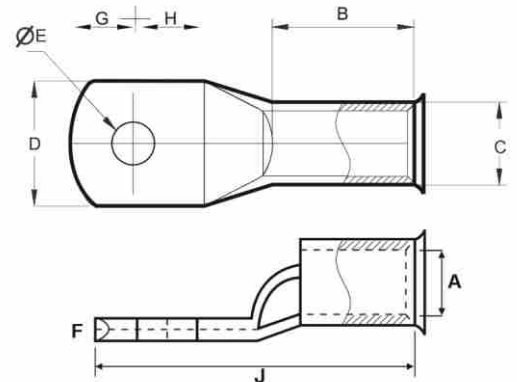
Cable mm ²	Stud Hole E	Dimensions in mm ± 3%							Product Code
		A	C	D	G	H	B	J	
10	5.2	4.5	6.2	11.0	6.0	7.0	10.0	26.0	BHT 10 - 5
	6.5	4.5	6.2	11.0	6.0	7.0	10.0	26.0	BHT 10 - 6
	8.4	4.5	6.2	12.0	6.0	9.0	10.0	28.0	BHT 10 - 8
	10.5	4.5	6.8	15.0	8.0	11.0	11.0	33.0	BHT 10 - 10
	13.0	4.5	6.8	18.0	9.0	11.0	11.0	36.0	BHT 10 - 12
16	5.2	5.4	7.1	12.0	7.0	7.0	12.0	30.0	BHT 16 - 5
	6.5	5.4	7.1	12.0	7.0	7.0	12.0	30.0	BHT 16 - 6
	8.4	5.4	7.1	12.0	7.0	7.0	12.0	30.0	BHT 16 - 8
	10.5	5.5	7.6	15.0	8.0	12.0	12.0	36.0	BHT 16 - 10
	13.0	5.5	7.6	17.0	11.0	13.0	12.0	39.0	BHT 16 - 13
	17.0	5.5	7.6	21.0	13.0	14.0	12.0	44.0	BHT 16 - 16
25	6.5	6.8	8.8	13.0	7.0	7.0	12.0	30.0	BHT 25 - 6
	8.4	6.8	8.8	13.0	7.0	7.0	12.0	30.0	BHT 25 - 8
	10.5	6.8	8.8	15.0	10.0	11.0	13.0	38.0	BHT 25 - 10
	13.0	6.8	9.2	17.0	10.0	12.0	15.0	41.0	BHT 25 - 12
	17.0	6.8	9.2	21.0	13.0	14.0	15.0	47.0	BHT 25 - 16
35	6.5	8.2	10.6	15.3	9.0	9.0	13.5	37.0	BHT 35 - 6
	8.4	8.2	10.6	15.3	9.0	9.0	13.5	37.0	BHT 35 - 8
	10.5	8.2	10.6	15.3	9.0	9.0	13.5	37.0	BHT 35 - 10
	13.0	8.2	10.6	15.3	10.0	12.0	13.5	41.0	BHT 35 - 12
	17.0	8.2	10.6	22.0	13.0	14.0	15.0	47.0	BHT 35 - 16
50	6.5	9.5	12.4	17.8	9.0	10.0	17.0	42.0	BHT 50 - 6
	8.4	9.5	12.4	17.8	9.0	10.0	17.0	42.0	BHT 50 - 8
	10.5	9.5	12.4	17.8	9.0	10.0	17.0	42.0	BHT 50 - 10
	13.0	9.5	12.4	20.0	10.0	12.0	17.0	45.0	BHT 50 - 13
	14.5	9.5	12.4	22.0	15.0	15.0	18.0	54.0	BHT 50 - 14
	17.0	9.5	12.4	22.0	15.0	15.0	18.0	54.0	BHT 50 - 16
	21.0	9.5	12.4	26.0	15.0	18.0	18.0	60.0	BHT 50 - 20
70	8.4	11.3	14.6	21.0	11.0	11.0	18.5	47.0	BHT 70 - 8
	10.5	11.3	14.6	21.0	11.0	11.0	18.5	47.0	BHT 70 - 10
	13.0	11.3	14.6	21.0	11.0	11.0	18.5	47.0	BHT 70 - 12
	14.5	11.3	14.6	22.0	14.0	15.0	18.5	55.0	BHT 70 - 14
	17.0	11.3	14.6	26.0	14.0	16.0	18.5	56.0	BHT 70 - 16
	21.0	11.3	14.6	28.0	16.0	18.0	18.5	63.0	BHT 70 - 20
95	8.4	13.5	17.4	25.0	12.0	13.0	21.0	53.0	BHT 95 - 8
	10.5	13.5	17.4	25.0	12.0	13.0	21.0	53.0	BHT 95 - 10
	13.0	13.5	17.4	25.0	12.0	13.0	21.0	53.0	BHT 95 - 12
	14.5	13.5	17.4	25.0	14.0	15.0	22.0	57.0	BHT 95 - 14
	17.0	13.5	17.4	25.0	14.0	16.0	22.0	58.0	BHT 95 - 16
	21.0	13.5	17.4	28.0	15.0	16.0	22.0	63.0	BHT 95 - 20
120	8.4	15.0	19.4	28.0	13.0	14.0	23.0	60.0	BHT 120 - 8
	10.5	15.0	19.4	28.0	13.0	14.0	23.0	60.0	BHT 120 - 10
	13.0	15.0	19.4	28.0	13.0	14.0	23.0	60.0	BHT 120 - 12
	14.5	15.0	19.4	28.0	13.0	14.0	23.0	60.0	BHT 120 - 14
	17.0	15.0	19.4	28.0	16.0	16.0	23.0	64.0	BHT 120 - 16
	21.0	15.0	19.4	28.0	16.0	20.0	23.0	68.0	BHT 120 - 20

CRIMPING TYPE COPPER TUBULAR CABLE TERMINAL ENDS - BELL MOUTH

MATERIAL : E - COPPER • FINISH : ELECTRO TINNED

Cable mm ²	Stud Hole E	Dimensions in mm ± 3%							Product Code
		A	C	D	G	H	B	J	
150	8.4	16.5	21.2	30.0	16.0	16.0	27.0	70.0	BHT 150 - 8
	10.5	16.5	21.2	30.0	16.0	16.0	27.0	70.0	BHT 150 - 10
	13.0	16.5	21.2	30.0	16.0	16.0	27.0	70.0	BHT 150 - 12
	14.7	16.5	21.2	30.0	16.0	16.0	27.0	70.0	BHT 150 - 14
	17.0	16.5	21.2	30.0	16.0	16.0	27.0	70.0	BHT 150 - 16
	21.0	16.5	21.2	30.0	16.0	16.0	27.0	70.0	BHT 150 - 20
185	10.5	18.5	23.5	34.0	17.0	19.0	32.0	80.0	BHT 185 - 10
	13.0	18.5	23.5	34.0	17.0	19.0	32.0	80.0	BHT 185 - 12
	14.7	18.5	23.5	34.0	17.0	19.0	32.0	80.0	BHT 185 - 14
	17.0	18.5	23.5	34.0	17.0	19.0	32.0	80.0	BHT 185 - 16
	21.0	18.5	23.5	34.0	17.0	19.0	32.0	80.0	BHT 185 - 20
240	10.5	21.0	26.5	38.0	20.0	21.0	39.0	94.0	BHT 240 - 10
	13.0	21.0	26.5	38.0	20.0	21.0	39.0	94.0	BHT 240 - 12
	14.5	21.0	26.5	38.0	20.0	21.0	39.0	94.0	BHT 240 - 14
	17.0	21.0	26.5	38.0	20.0	21.0	39.0	94.0	BHT 240 - 16
	21.0	21.0	26.5	38.0	20.0	21.0	39.0	94.0	BHT 240 - 20

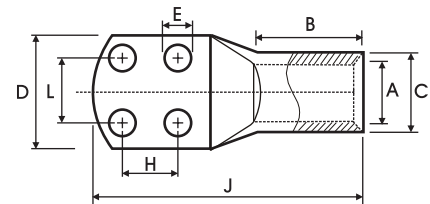
Note : Bell Mouth above 240 mm² can be supplied on request.



FOUR HOLE CABLE TERMINAL ENDS

MATERIAL : E - COPPER • FINISH : ELECTRO TINNED

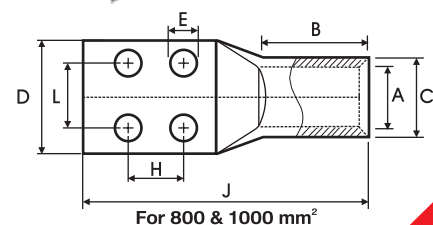
Cable mm ²	Stud Hole E	Dimensions in mm ± 3%							Product Code
		A	C	D	B	L	H	J	
400	10.5	28.5	36.5	52.5	45	35	25	114	HT4004E10
	12.5	28.5	36.5	52.5	45	35	25	114	HT 4004E12
500	10.5	30	39	56	50	35	25	124	HT 5004E10
	12.5	30	39	56	50	35	25	124	HT 5004E12
630	10.5	35	45	65	60	35	25	144	HT 6304E10
	12.5	35	45	65	60	35	25	144	HT 6304E12
800	10.5	39	50.6	72	78	35	25	170	HT 8004E10
	12.5	39	50.6	72	78	35	25	170	HT 8004E12
1000	10.5	43	56.2	78.5	90	35	25	200	HT10004E10
	12.5	43	56.2	78.5	90	35	25	200	HT 10004E12



FOUR HOLE CABLE TERMINAL ENDS (ECONOMY RANGE)

MATERIAL : E - COPPER • FINISH : ELECTRO TINNED

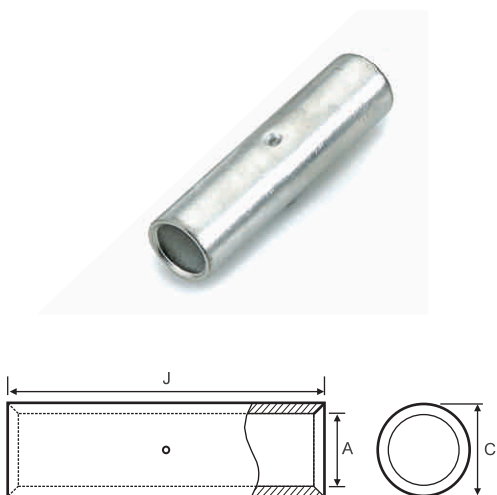
Cable mm ²	Dimensions in mm ± 3%						Product Code
	E	A	D	L	H	J	
630	10.5	35	61	35	25	144	HLT 6304E10
800	10.5	39	67	35	25	170	HLT 8004E10



CRIMPING TYPE COPPER TUBULAR IN-LINE CONNECTORS (LINKS)

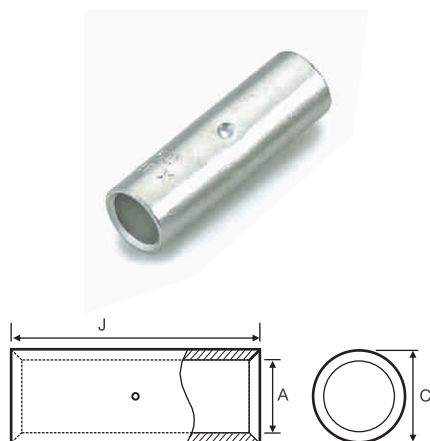
MATERIAL : E - COPPER • FINISH : ELECTRO TINNED

Long Barrel Connectors



Cable mm ²	Dimensions in mm \pm 3%			Product Code
	A	C	J	
1.5	1.8	3.7	22	HC 1.5
2.5	2.4	4	22	HC 2.5
4	3.1	4.8	22	HC 4
6	3.8	5.5	22	HC 6
10	4.5	6.2	22	HC 10
16	5.4	7.1	44	HC 16
25	6.8	8.8	47	HC 25
35	8.2	10.6	47	HC 35
50	9.5	12.4	47	HC 50
70	11.3	14.6	50	HC 70
95	13.5	17.4	54	HC 95
120	15	19.4	65	HC 120
150	16.5	21.2	65	HC 150
185	18.5	23.5	65	HC 185
240	21	26.5	89	HC 240
300	23.5	30	89	HC 300
400	28.5	36.5	90	HC 400
500	30	39	115	HC 500
630	35	45	115	HC 630
800	39	50.6	230	HC 800
1000	43	56.2	230	HC 1000

Short Barrel Connectors



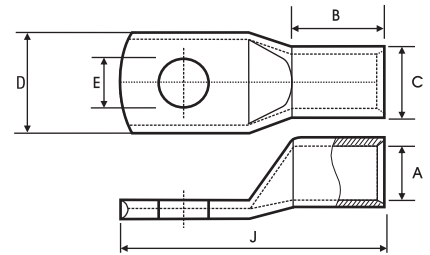
Cable mm ²	Dimensions in mm \pm 3%			Product Code
	A	C	J	
1.5	1.8	3.7	12	HL 1.5
2.5	2.4	4	15	HL 2.5
4	3.1	4.8	15	HL 4
6	3.8	5.5	15	HL 6
10	4.5	6.2	20	HL 10
16	5.4	7.1	20	HL 16
20	6.3	7.7	22	HL 20
25	6.8	8.8	32	HL 25
35	8.2	10.6	36	HL 35
50	9.5	12.4	40	HL 50
70	11.3	14.6	45	HL 70
95	13.5	17.4	45	HL 95
120	15	19.4	50	HL 120
150	16.5	21.2	55	HL 150
185	18.5	23.5	60	HL 185
240	21	26.5	80	HL 240
300	23.5	30	85	HL 300
400	28.5	36.5	85	HL 400
500	30	39	100	HL 500
*630	35	45	110	HL 630
*800	39	50.6	150	HL 800
*1000	43	56.2	170	HL 1000



TINNED COPPER TUBULAR CABLE LUGS (WITHOUT INSPECTION HOLE)

MATERIAL : E - COPPER • FINISH : ELECTRO TINNED

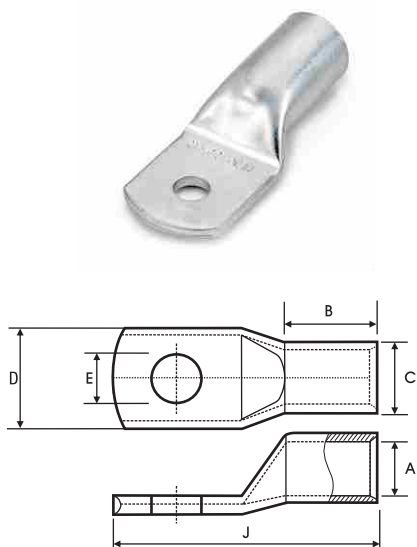
Cable mm ²	Stud Hole E	Dimensions in mm \pm 3%					Product Code
		A	C	D	B	J	
2.5	5.3	2.4	4	10	8	22	HNL 2.5-5
4	5.3	3.1	4.8	10	8	22	HNL 4-5
6	5.3	3.8	5.5	10	9	23	HNL 6-5
	6.5	3.8	5.5	10	9	23	HNL 6-6
	8.5	3.8	5.5	12	9	27	HNL 6-8
	10.5	3.8	6	14.5	9	34	HNL 6-10
10	13	3.8	6	17	9	37	HNL 6-12
	5.3	4.5	6.2	10	10	26	HNL 10-5
	6.5	4.5	6.2	10.5	10	26	HNL 10-6
	8.5	4.5	6.2	12	10	29	HNL 10-8
	10.5	4.5	7	15	10	34	HNL 10-10
16	13	4.5	7	17	10	38	HNL 10-12
	5.3	5.4	7.1	10.5	13	30.5	HNL 16-5
	6.5	5.4	7.1	10.5	13	30.5	HNL 16-6
	8.5	5.4	7.1	12	13	33	HNL 16-8
	10.5	5.5	7.6	15	13	38	HNL 16-10
25	13	5.5	7.6	17	13	42	HNL 16-12
	5.3	6.8	8.8	12.5	13	31.5	HNL 25-5
	6.5	6.8	8.8	12.5	13	31.5	HNL 25-6
	8.5	6.8	8.8	12.5	13	33	HNL 25-8
	10.5	6.8	8.8	15	13	39	HNL 25-10
35	13	6.8	9.2	18	13	43	HNL 25-12
	15	6.8	9.2	21	13	45	HNL 25-14
	6.5	8.2	10.6	15	15	38	HNL 35-6
	8.5	8.2	10.6	15	15	42	HNL 35-8
	10.5	8.2	10.6	15	16	47	HNL 35-10
50	13	8.2	10.6	17	15	51	HNL 35-12
	15	8.2	10.6	21	15	51	HNL 35-14
	6.5	9.5	12.4	17.2	17	44	HNL 50-6
	8.5	9.5	12.4	17.2	17	44	HNL 50-8
	10.5	9.5	12.4	17.2	17	49	HNL 50-10
70	13	9.5	12.4	20.5	17	53.5	HNL 50-12
	15	9.5	12.4	23	17	54.5	HNL 50-14
	6.5	11.3	14.6	21	21	48	HNL 70-6
	8.5	11.3	14.6	21	21	48	HNL 70-8
95	10.5	11.3	14.6	21	21	53	HNL 70-10
	13	11.3	14.6	21	21	55	HNL 70-12
	15	11.3	14.6	22	21	63	HNL 70-14
	8.5	13.5	17.4	24.5	23	55	HNL 95-8
95	10.5	13.5	17.4	24.5	24	56	HNL 95-10
	13	13.5	17.4	24.5	24	58	HNL 95-12
	15	13.5	17.4	24.5	24	66	HNL 95-14
	17	13.5	17.4	26	24	66	HNL 95-16
	21	13.5	17.4	28	24	67	HNL 95-20



TINNED COPPER TUBULAR CABLE LUGS (WITHOUT INSPECTION HOLE)

MATERIAL : E - COPPER • FINISH : ELECTRO TINNED

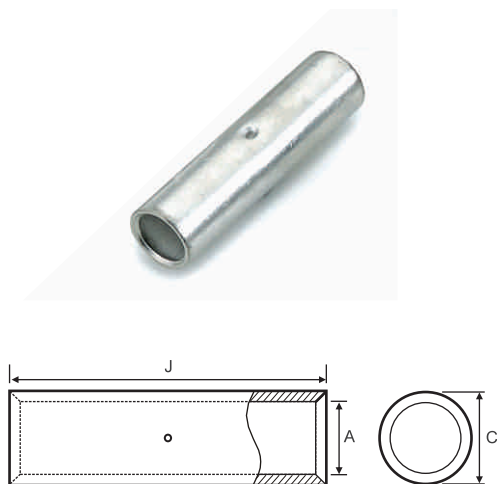
Cable mm ²	Stud Hole E	Dimensions in mm ± 3%					Product Code
		A	C	D	B	J	
120	8.5	15	19.4	28	24	63	HNL 120-8
	10.5	15	19.4	28	24	63	HNL 120-10
	13	15	19.4	28	24	63	HNL 120-12
	15	15	19.4	28	24	66	HNL 120-14
	17	15	19.4	28	24	66	HNL 120-16
	21	15	19.4	28	24	66	HNL 120-20
150	8.5	16.5	21.2	30	30	69	HNL 150-8
	10.5	16.5	21.2	30	30	69	HNL 150-10
	13	16.5	21.2	30	30	72	HNL 150-12
	15	16.5	21.2	30	30	72	HNL 150-14
	17	16.5	21.2	30	30	72	HNL 150-16
	21	16.5	21.2	30	30	72	HNL 150-20
185	10.5	19	23.5	34	30	81	HNL 185-10
	13	19	23.5	34	30	81	HNL 185-12
	15	19	23.5	34	30	81	HNL 185-14
	17	19	23.5	34	30	81	HNL 185-16
	21	19	23.5	34	30	89	HNL 185-20
240	10.5	21	26.5	38	35	94	HNL 240-10
	13	21	26.5	38	35	94	HNL 240-12
	15	21	26.5	38	35	94	HNL 240-14
	17	21	26.5	38	35	94	HNL 240-16
300	13	23.5	30	43	38	102	HNL 300-12
	15	23.5	30	43	38	102	HNL 300-14
	17	23.5	30	43	38	102	HNL 300-16
	21	23.5	30	43	38	102	HNL 300-20
400	17	27	36.5	50	49	114	HNL 400-16
	21	27	36.5	50	49	114	HNL 400-20
500	17	30	39	56	68	144	HNL 500-16
	21	30	39	56	68	144	HNL 500-20
	BL	30	39	56	68	144	HNL 500-BL
630	17	35.5	45	64	68	144	HNL 630-16
	21	35.5	45	64	68	144	HNL 630-20
	10.5	35.5	45	64	68	144	HNL 630-4 E10
	BL	35.5	45	64	68	144	HNL 630-BL



COPPER CRIMPING CONNECTORS / SLEEVES

MATERIAL : E - COPPER • FINISH : ELECTRO TINNED

Cable mm ²	Dimensions in mm ± 3%			Product Code
	A	C	J	
1.5	1.8	3.7	25	HNC - 1.5
2.5	2.4	4	25	HNC - 2.5
4	3.1	4.8	25	HNC - 4
6	3.8	5.5	25	HNC - 6
10	4.5	6.2	30	HNC - 10
16	5.4	7.1	35	HNC - 16
25	6.8	8.8	40	HNC - 25
35	8.2	10.6	45	HNC - 35
50	9.5	12	50	HNC - 50
70	11.3	14.6	55	HNC - 70
95	13.5	17	60	HNC - 95
120	15	19.4	65	HNC - 120
150	16.5	21.2	70	HNC - 150
185	19	23.5	80	HNC - 185
240	21	26.5	90	HNC - 240
300	23.5	30	100	HNC - 300
400	27	36.5	110	HNC - 400
500	30	39	140	HNC - 500
630	35.5	45	160	HNC - 630
800	39	50.6	200	HNC - 800
1000	43	56.2	200	HNC - 1000

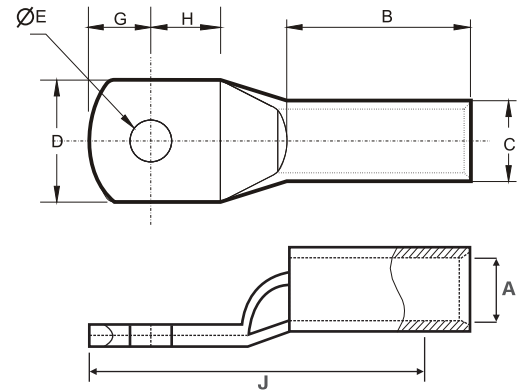


LONG BARREL TINNED COPPER CABLE TERMINAL ENDS

MATERIAL : E - COPPER • FINISH : ELECTRO TINNED

Cable mm ²	Stud Hole E	Dimensions in mm ± 3%							Product Code
		A	C	D	G	H	B	J	
6	8.4	3.8	5.5	12	6	9	11	29	HTL 6 - 8
10	8.4	4.5	6.2	12	6	9	11	29	HTL 10 - 8
16	8.4	5.4	7.1	12	7	7	15	35	HTL 16 - 8
25	8.4	6.8	8.8	16	7	7	15	35	HTL 25 - 8
35	8.4	8.2	10.6	15.3	9	9	15	38	HTL 35 - 8
50	13	9.5	12.4	18	10	11	20	47	HTL 50 - 12
70	13	11.2	14.7	21	12	13	22	54	HTL 70 - 12
95	13	13.5	17.4	25	13	13	24	59	HTL 95 - 12
120	13	15	19.4	28	14	14	27	65	HTL 120 - 12
150	13	16.5	21.2	30	16	16	32	75	HTL 150 - 12
185	13	18.5	23.5	34	17	17	39	85	HTL 185 - 12
240	17	21	26.5	38	20	20	46	100	HTL 240 - 16
300	21	23.5	30	43	22	22	51	110	HTL 300 - 20
400	21	28.5	36.5	50.1	26	26	53	123	HTL 400 - 20
500	21	30	39	56	28	28	58	134	HTL 500 - 20
630	21	35	45	63.8	33	33	78	156	HTL 630 - 20
800	21	39	50.6	72	37.5	37.5	95	187	HTL 800 - 20

- Other hole size available on request.
- Also available without inspection hole

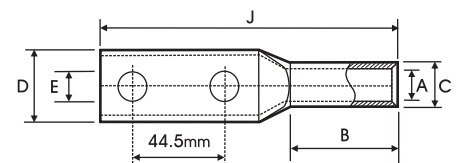


COPPER CABLE TERMINAL ENDS WITH EXTENDED PALM (2 HOLE)

MATERIAL : E - COPPER • FINISH : ELECTRO TINNED

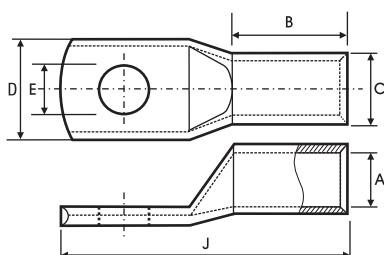
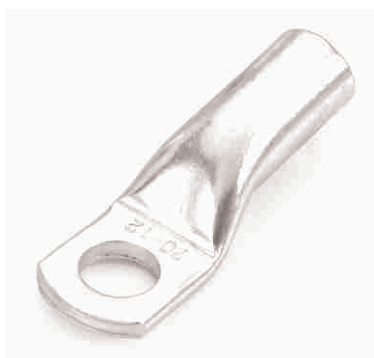
Cable mm ²	Stud Hole E	Dimensions in mm ± 3%					Product Code
		A	C	D	B	J	
16	10.5	5.4	7.6	14.5	16	100	HT16 2E - 10
25	10.5	6.8	8.8	15	16	100	HT25 2E - 10
35	10.5	8.2	10.6	16.5	16	100	HT35 2E - 10
50	10.5	9.5	12.4	17	25	109	HT50 2E - 10
	13.7	9.5	12.4	17	25	109	HT50 2E - 12
70	10.5	11.3	14.7	21	30	114	HT70 2E - 10
	13.7	11.3	14.7	21	30	114	HT70 2E - 12
95	10.5	13.5	17.4	25	30	116	HT95 2E - 10
	13.7	13.5	17.4	25	30	116	HT95 2E - 12
120	10.5	15	19.4	27.5	35	122	HT120 2E - 10
	13.7	15	19.4	27.5	35	122	HT120 2E - 12
150	10.5	16.5	21.2	30	40	126	HT150 2E - 10
	13.7	16.5	21.2	30	40	126	HT150 2E - 12
185	10.5	18.5	23.5	33.5	42	132	HT185 2E - 10
	13.7	18.5	23.5	33.5	42	132	HT185 2E - 12
240	10.5	21	26.5	38.5	50	143	HT240 2E - 10
	13.7	21	26.5	38.5	50	143	HT240 2E - 12
300	13.7	23.5	30	43	55	144	HT300 2E - 12
400	13.7	28.5	36.5	52.5	60	149	HT400 2E - 12
500	13.7	30	39	56	65	160	HT500 2E - 12
630	13.7	35	45	63.8	75	160	HT630 2E - 12
800	13.7	39	50.6	72	78	214	HT800 2E - 12
1000	13.7	43	56.2	78.5	90	244	HT1000 2E - 12

- Also available with Blank Palm (without hole)
- Also available with inspection hole.



HIGH VOLTAGE COPPER TERMINALS - 33 KV

MATERIAL : E - COPPER • FINISH : ELECTRO TINNED



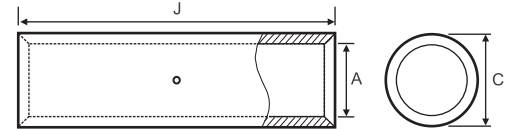
- These terminals are designed for high voltage applications upto 33 KV.
- They are manufactured from high purity Copper tube, annealed & Tin plated.
- The extended barrel enhances both electrical and mechanical performance.
- The absence of an inspection hole to prevent moisture entry into the crimped joint makes these terminals suitable for outdoor applications.

Cable mm ²	Stud Hole E	Dimensions in mm \pm 3%						Product Code
		A	C	D	G	H	J	
25	8	6.8	10.0	14.0	8.0	9.0	65.0	HVCT 25 - 8
	10	6.8	10.0	18.0	11.0	13.0	72.0	HVCT 25 - 10
	12	6.8	10.0	21.0	14.0	16.0	78.0	HVCT 25 - 12
35	12	8.2	12.5	17.0	14.0	16.0	79.0	HVCT 35 - 12
	16	8.2	12.5	26.0	17.0	19.0	85.0	HVCT 35 - 16
50	12	9.5	14.5	20.0	14.0	16.0	79.0	HVCT 50 - 12
	16	9.5	14.5	26.0	17.0	19.0	85.0	HVCT 50 - 16
70	12	11.0	16.0	22.0	14.0	16.0	81.0	HVCT 70 - 12
	16	11.0	16.0	30.0	17.0	19.0	87.0	HVCT 70 - 16
95	12	13.5	19.0	26.0	14.0	16.0	91.0	HVCT 95 - 12
	14	13.5	19.0	29.0	16.0	18.0	95.0	HVCT 95 - 14
	16	13.5	19.0	30.0	17.0	20.0	97.0	HVCT 95 - 16
120	12	15.0	20.5	29.0	14.0	16.0	97.0	HVCT 120 - 12
	14	15.0	20.5	29.0	16.0	18.0	101.0	HVCT 120 - 14
150	12	16.5	23.0	32.0	14.0	16.0	97.0	HVCT 150 - 12
	14	16.5	23.0	32.0	16.0	18.0	101.0	HVCT 150 - 14
185	14	17.0	23.5	33.0	16.0	18.0	101.0	HVCT 185 - 14
240	14	19.2	25.5	36.0	16.0	18.0	105.0	HVCT 240 - 14
300	14	23.5	32.0	45.0	16.0	18.0	105.0	HVCT 300 - 14
400	14	27.0	38.0	53.0	19.0	22.0	140.0	HVCT 400 - 14
	16	27.0	38.0	53.0	19.0	22.0	140.0	HVCT 400 - 16
	20	27.0	38.0	53.0	23.0	24.0	146.0	HVCT 400 - 20
500	16	30.3	41.0	58.0	19.0	22.0	147.0	HVCT 500 - 16
	20	30.3	41.0	58.0	23.0	24.0	153.0	HVCT 500 - 20
630	16	33.4	43.0	62.0	19.0	22.0	159.0	HVCT 630 - 16
	20	33.4	43.0	62.0	23.0	24.0	165.0	HVCT 630 - 20

HIGH VOLTAGE COPPER CONNECTORS - 33KV

MATERIAL : E - COPPER • FINISH : ELECTRO TINNED

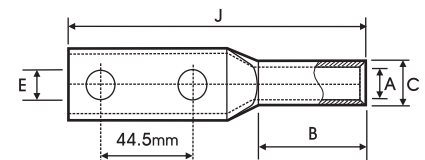
Cable mm ²	Dimensions in mm ± 3%			Product Code
	A	C	J	
50	9.50	14.50	85.00	HVCC - 50
70	11.00	16.00	87.00	HVCC - 70
95	13.50	19.00	97.00	HVCC - 95
120	15.00	20.50	101.00	HVCC - 120
150	16.50	23.00	101.00	HVCC - 150
185	17.00	23.50	101.00	HVCC - 185
240	19.20	25.50	105.00	HVCC - 240
300	23.50	32.00	105.00	HVCC - 300
400	27.00	38.00	146.00	HVCC - 400
500	30.30	41.00	153.00	HVCC - 500
630	33.40	43.00	165.00	HVCC - 630



HIGH VOLTAGE COPPER TERMINALS DOUBLE HOLE - 33 KV

MATERIAL : E - COPPER • FINISH : ELECTRO TINNED

Cable mm ²	Dimensions in mm ± 3%					Product Code
	E	A	C	B	J	
25	10.5	6.8	10.0	38.00	123.00	HVCT - 25 2E10
35	10.5	8.2	12.5	37.00	124.00	HVCT - 35 2E10
50	13.0	9.5	14.5	34.00	124.00	HVCT - 50 2E12
70	13.0	11.0	16.0	36.00	126.00	HVCT - 70 2E12
95	13.0	13.5	19.0	46.00	138.50	HVCT - 95 2E12
120	13.0	15.0	20.5	52.00	144.50	HVCT - 120 2E12
150	13.0	16.5	23.0	49.00	144.50	HVCT - 150 2E12
185	15.0	17.0	23.5	49.00	148.50	HVCT - 185 2E14
240	15.0	19.2	25.5	53.00	152.50	HVCT - 240 2E14
300	17.0	23.5	32.0	46.00	154.50	HVCT - 300 2E16
400	17.0	27.0	38.0	69.00	182.50	HVCT - 400 2E16
500	21.0	30.3	41.0	76.00	194.50	HVCT - 500 2E20
630	21.0	33.4	43.0	88.00	206.50	HVCT - 630 2E20



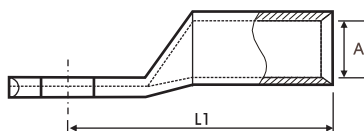
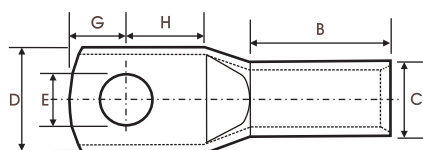
SPECIAL CABLE TERMINAL ENDS

We have specially developed these terminals for supplying it to leading manufacturers of Panel Builders, Distribution Boards, Transformers, Railways, Power Stations, etc. HEX has all the expertise needed in developing & manufacturing special types of terminal ends as per customers design & specifications.



TUBULAR COMPRESSION COPPER CABLE LUGS UP TO 33KV

MATERIAL : E - COPPER • FINISH : UNCOATED / ELECTRO TINNED

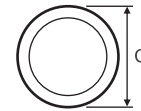
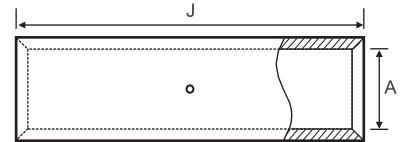


Cable mm ²	Stud Hole E	Dimensions in mm ± 3%							Product Code
		D	A	B	C	G	H	L1	
6	5.3	8	3.8	11	5.5	6.5	7.5	24	HUTD 6 - 5
10	6.5	8.5	4.5	13	6	7	8.5	27.5	HUTD 10 - 6
16	6.5	12	5.5	16	8.5	7.5	8	35	HUTD 16 - 6
	8.4	15	5.5	16	8.5	10	10	35	HUTD 16 - 8
	10.5	17	5.5	16	8.5	12	12	37	HUTD 16 - 10
	13	19	5.5	16	8.5	13	13	37	HUTD 16 - 12
25	6.5	15	7	18	10	7.5	8	39	HUTD 25 - 6
	8.4	15	7	18	10	10	10	39	HUTD 25 - 8
	10.5	17	7	18	10	12	12	39	HUTD 25 - 10
	13	19	7	18	10	13	13	39	HUTD 25 - 12
35	8.4	17	8.2	19	12.5	10	10	42	HUTD 35 - 8
	10.5	19	8.2	19	12.5	12	12	42	HUTD 35 - 10
	13	21	8.2	19	12.5	13	13	42	HUTD 35 - 12
50	8.4	22	10	25	14.5	10	10	51	HUTD 50 - 8
	10.5	22	10	25	14.5	12	12	51	HUTD 50 - 10
	13	23	10	25	14.5	13	13	51	HUTD 50 - 12
	17	28	10	25	14.5	14	14	51	HUTD 50 - 16
70	10.5	22.5	11.5	25	16.5	10	10	54	HUTD 70 - 10
	13	22.5	11.5	25	16.5	12	12	54	HUTD 70 - 12
	17	22.5	11.5	25	16.5	13	13	54	HUTD 70 - 16
	21	32	11.5	25	16.5	14.5	14.5	54	HUTD 70 - 20
95	10.5	26.5	13.5	30	19	12	12	64	HUTD 95 - 10
	13	26.5	13.5	30	19	13	13	64	HUTD 95 - 12
	17	26.5	13.5	30	19	14	14	67	HUTD 95 - 16
	21	32	13.5	30	19	17	17	67	HUTD 95 - 20
120	10.5	30	15.5	36	21	16	16	68	HUTD 120 - 10
	13	30	15.5	36	21	16	16	68	HUTD 120 - 12
	17	30	15.5	36	21	18	20	69	HUTD 120 - 16
	21	30	15.5	36	21	18	20	69	HUTD 120 - 20
150	10.5	33	17	43	23.5	16	16	77	HUTD 150 - 10
	13	33	17	43	23.5	16	16	77	HUTD 150 - 12
	17	33	17	43	23.5	18	20	77	HUTD 150 - 16
	21	33	17	43	23.5	18	20	77	HUTD 150 - 20
185	10.5	36	19	43	25.5	16	16	81	HUTD 185 - 10
	13	36	19	43	25.5	16	16	81	HUTD 185 - 12
	17	36	19	43	25.5	19	20	81	HUTD 185 - 16
	21	36	19	43	25.5	18	20	81	HUTD 185 - 20
240	10.5	41	21.5	48	29	19	20	91	HUTD 240 - 10
	13	41	21.5	48	29	19	20	91	HUTD 240 - 12
	17	41	21.5	48	29	19	20	91	HUTD 240 - 16
	21	41	21.5	48	29	22	22	91	HUTD 240 - 20
300	13	45.5	24	56	32	19	22	100	HUTD 300 - 12
	17	45.5	24	56	32	19	22	100	HUTD 300 - 16
	21	45.5	24	56	32	22	22	100	HUTD 300 - 20
400	17	54	27.5	63	38.5	25	25	115	HUTD 400 - 16
	21	54	27.5	63	38.5	25	25	115	HUTD 400 - 20
500	21	59	31	75	42	25	25	127	HUTD 500 - 20
630	21	63	34.5	80	44	25	25	135	HUTD 630 - 20
800	21	75	40	103	52	30	30	165	HUTD 800 - 20
1000	21	83	44	103	58	30	30	165	HUTD 1000-20

TUBULAR COMPRESSION COPPER CONNECTORS LONG BARREL UP TO 33KV

MATERIAL : E - COPPER • FINISH : UNCOATED / ELECTRO TINNED

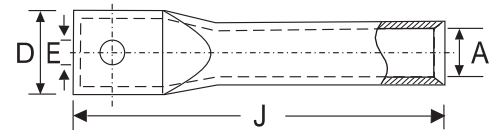
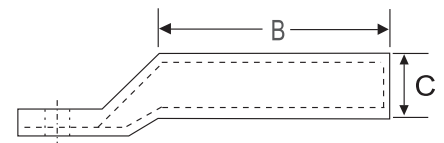
Cable mm ²	Dimensions in mm ± 3%			Product Code
	A	C	J	
25	7.00	10.00	50.00	HUTD-C - 25
35	8.20	12.50	60.00	HUTD-C - 35
50	10.00	14.50	65.00	HUTD-C - 50
70	11.50	16.50	65.00	HUTD-C - 70
95	13.50	19.00	90.00	HUTD-C - 95
120	15.50	21.00	90.00	HUTD-C - 120
150	17.00	23.50	105.00	HUTD-C - 150
185	19.00	23.50	105.00	HUTD-C - 185
240	21.50	29.00	125.00	HUTD-C - 240
300	24.00	32.00	125.00	HUTD-C - 300
400	27.50	38.50	160.00	HUTD-C - 400
500	31.00	42.00	160.00	HUTD-C - 500
630	34.50	44.00	180.00	HUTD-C - 630
800	40.00	52.00	200.00	HUTD-C - 800
1000	44.00	58.00	200.00	HUTD-C - 1000



CRIMPING TYPE HEAVY DUTY LONG BARREL ALUMINIUM TERMINAL ENDS for XLPE CABLE

MATERIAL : ALUMINIUM • FINISH : NATURAL / PASSIVATED AL.

Cable mm ²	Hole E	Dimensions in mm ± 3%					Product Code
		A	C	D	B	J	
25	8.2	7.2	9.6	14.0	41	69	HAC - 25
35	8.2	8.3	11.1	16.0	50	79	HAC - 35
50	10.2	10.1	13.5	19.5	49	81	HAC - 50
70	10.2	10.2	14.5	20.5	62	96	HAC - 70
95	13	12.0	16.9	23.5	73	109	HAC - 95
120	13	13.7	19.0	26.5	73	114	HAC - 120
150	13	15.1	21.1	29.5	83	128	HAC - 150
185	13	16.6	23.9	33.0	83	131	HAC - 185
225	13	18.6	26.1	36.0	86	140	HAC - 225
240	13	19.3	27.2	37.5	86	144	HAC - 240
300	20.30	21.8	30.2	42.0	89	157	HAC - 300
400	20.30	25.0	34.8	48.0	113	187	HAC - 400
500	20.30	28.2	39.1	54.0	125	205	HAC - 500
630	20.30	31.7	44.4	61.0	140	225	HAC - 625
800	20.30	35.7	49.5	68.0	147	250	HAC - 800
1000	20.30	41.0	56.0	77.5	160	280	HAC - 1000

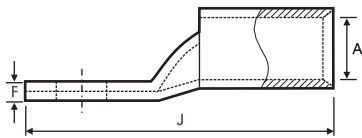
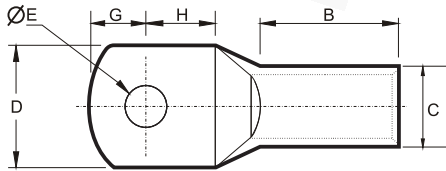


* PVC Capping & Greasing available on request

* Other Hole sizes also available on request

CABLE TERMINAL ENDS AS PER AUSTRALIAN STANDARD

MATERIAL : E - COPPER • FINISH : ELECTRO TINNED



Cable mm ²	Stud Hole E	Dimensions in mm ± 3%							Product Code
		A	D	F	B	G	H	J	
1.5	4.2	2	8	1.0	7.5	4	5	18.5	HAHT - 1.5-4
1.5	5.2	2	8	1.0	7.5	4	5	18.5	HAHT - 1.5-5
1.5	6.5	2	10	0.8	7.5	5	6	20.5	HAHT - 1.5-6
2.5	4.2	2.5	8	1.0	8	4	5	19	HAHT - 2.5-4
2.5	5.2	2.5	10	0.8	8	5	6	21	HAHT - 2.5-5
2.5	6.5	2.5	10	0.8	8	5	6	21	HAHT - 2.5-6
2.5	8.4	2.5	11	0.7	8	6	9	26	HAHT - 2.5-8
4	5.2	3.3	10	1.0	9	5	6	23	HAHT - 4-5
4	6.5	3.3	10	1.0	9	5	6	23	HAHT - 4-6
4	8.4	3.3	12	0.8	9	6	9	26	HAHT - 4-8
4	10.2	3.3	15	0.8	9	8	11	32	HAHT - 4-10
6	5.2	3.8	10	1.2	10	5	6	24	HAHT - 6-5
6	6.5	3.8	12	1.0	10	6	9	28	HAHT - 6-6
6	8.4	3.8	12	1.0	10	6	9	28	HAHT - 6-8
6	10.2	3.8	15	0.8	10	8	11	32	HAHT - 6-10
10	5.2	4.7	12	1.8	10	6	7	27	HAHT - 10-5
10	6.5	4.7	12	1.8	10	6	7	27	HAHT - 10-6
10	8.4	4.7	14	1.6	10	7	8	29	HAHT - 10-8
10	10.5	4.7	15	1.5	10	8	10	32	HAHT - 10-10
10	13	4.7	18	1.0	10	10	12	38	HAHT - 10-12
16	6.5	5.5	11	2.4	19	7	9	39	HAHT - 16-6
16	8.4	5.5	14	1.7	19	7	9	39	HAHT - 16-8
16	10.5	5.5	16	1.5	19	8	10	41	HAHT - 16-10
16	13	5.5	18	1.2	19	10	13	48	HAHT - 16-12
25	6.5	7.1	13.5	2.4	21	7	9	41	HAHT - 25-6
25	8.4	7.1	13.5	2.4	21	7	9	41	HAHT - 25-8
25	10.5	7.1	16	1.9	21	9	10	44	HAHT - 25-10
25	13	7.1	18	1.6	21	10	13	48	HAHT - 25-12
35	6.5	8.4	16	3.0	21	9	10	45	HAHT - 35-6
35	8.4	8.4	16	3.0	21	9	10	45	HAHT - 35-8
35	10.5	8.4	18	2.6	21	9	10	45	HAHT - 35-10
35	13	8.4	20	2.2	22	11	13	51	HAHT - 35-12
50	6.5	9.5	18	3.3	22	8	10	46	HAHT - 50-6
50	8.4	9.5	18	3.3	22	8	10	46	HAHT - 50-8
50	10.5	9.5	18	3.3	22	8	10	46	HAHT - 50-10
50	13	9.5	21	2.7	22	11	13	54	HAHT - 50-12
70	6.5	11.3	21	3.5	22	11	13	54	HAHT - 70-6
70	8.4	11.3	21	3.5	24	11	13	54	HAHT - 70-8
70	10.5	11.3	21	3.5	24	11	13	54	HAHT - 70-10
70	13	11.3	21	3.5	24	11	13	54	HAHT - 70-12
70	17	11.3	26	3.0	24	14	16	61	HAHT - 70-16
95	8.4	13.5	25	4.0	26	12	15	60	HAHT - 95-8
95	10.5	13.5	25	4.0	26	12	15	60	HAHT - 95-10
95	13	13.5	25	4.0	26	12	15	60	HAHT - 95-12
95	17	13.5	25	3.5	26	14	16	64	HAHT - 95-16
120	8.4	15.6	29	5.0	30	12	14	64	HAHT - 120-8
120	10.5	15.6	29	5.0	30	12	14	64	HAHT - 120-10
120	13	15.6	29	5.0	30	12	14	64	HAHT - 120-12
120	17	15.6	29	5.0	30	16	16	72	HAHT - 120-16

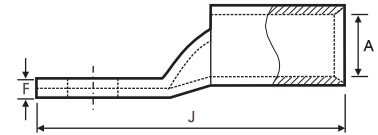
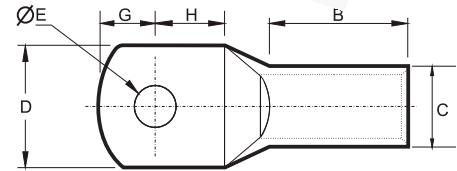
CABLE TERMINAL ENDS AS PER AUSTRALIAN STANDARD

MATERIAL : E - COPPER • FINISH : ELECTRO TINNED

Cable mm ²	Stud Hole E	Dimensions in mm ± 3%							Product Code	
		A	D	F	B	G	H	J		
150	10.5	16.7	31.5	5.8	30	16	16	71	HAHT	150-10
150	13	16.7	31.5	5.8	30	18	18	75	HAHT	150-12
150	17	16.7	31.5	5.8	30	18	18	75	HAHT	150-16
185	10.5	18.4	34.5	5.8	32	16	16	74	HAHT	185-10
185	13	18.4	34.5	5.8	32	18	20.5	80	HAHT	185-12
185	17	18.4	34.5	5.8	32	18	20.5	80	HAHT	185-16
240	-	21.2	40	7.0	38	21	21	94	HAHT	240-BL
240	10.5	21.2	40	7.0	38	21	21	94	HAHT	240-10
240	13	21.2	40	7.0	38	21	21	94	HAHT	240-12
240	17	21.2	40	7.0	38	21	21	94	HAHT	240-16
300	-	23.8	45.5	7.8	42	23	23	101	HAHT	300-BL
300	13	23.8	45.5	7.8	42	23	23	101	HAHT	300-12
300	17	23.8	45.5	7.8	42	23	23	101	HAHT	300-16
**400	-	26.8	49.5	8.0	44	24	24	110	HAHT	400-BL
**500	-	30.0	54.5	8.1	50	27	27	121	HAHT	500-BL
**630	-	34.0	62.5	11.0	58	32	32	140	HAHT	630-BL

* Bell Mouthed Lugs start from 10 mm² & are up to 300 mm²

** Bell Mouthed Lugs are available on request. Add "B" before the Product Code.

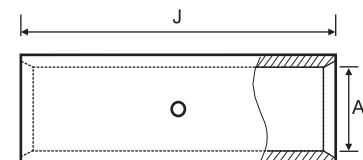


CONNECTOR AS PER AUSTRALIAN STANDARD

Cable mm ²	Dimensions in mm ± 3%		Product Code
	A	J	
2.5	2.50	22.2	HAHC - 2.5
4	3.30	22.2	HAHC - 4
6	3.80	22.2	HAHC - 6
10	4.70	22.2	HAHC - 10
16	5.50	44.4	HAHC - 16
25	7.10	47.6	HAHC - 25
35	8.40	47.6	HAHC - 35
50	9.500	47.6	HAHC - 50
70	11.30	50.8	HAHC - 70
95	13.40	54.0	HAHC - 95
120	15.50	65.1	HAHC - 120
150	16.30	65.1	HAHC - 150
185	18.40	65.1	HAHC - 185
240	21.20	88.9	HAHC - 240
300	23.80	88.9	HAHC - 300
** 400	26.80	88.9	HAHC - 400
** 500	30.00	114.3	HAHC - 500
** 630	34.00	114.3	HAHC - 630

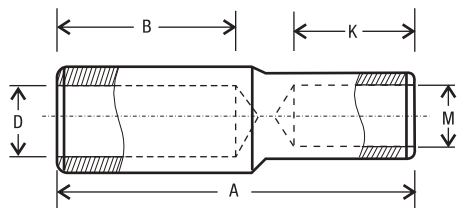
* Bell Mouthed Connectors start from 10 mm² & are up to 300 mm²

** Bell Mouthed Connectors are available on request. Add "B" before the Product Code.



TINNED COPPER REDUCING LINKS

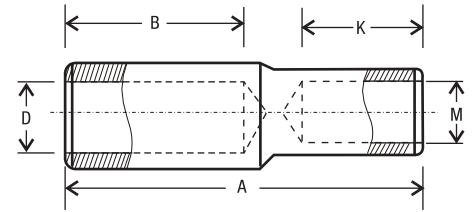
MATERIAL : E - COPPER • FINISH : ELECTRO TINNED



Cable mm ²	Dimensions in mm ± 3%					Product Code
	A	B	D	K	M	
6	30	10	4	10	3.0	HCRL 6-4
10	30	10	4.5	10	4.0	HCRL 10-6
16	40	19	5.5	10	4.0	HCRL 16-6
	40	19	5.5	10	4.5	HCRL 16-10
25	40	21	7.5	10	4.0	HCRL 25-6
	40	21	7.5	10	4.5	HCRL 25-10
	50	21	7.5	19	5.5	HCRL 25-16
35	40	21	8.5	10	4.5	HCRL 35-10
	55	21	8.5	19	5.5	HCRL 35-16
	60	21	8.5	21	7.5	HCRL 35-25
50	45	22	9.5	10	4.5	HCRL 50-10
	55	22	9.5	19	5.5	HCRL 50-16
	55	22	9.5	21	7.5	HCRL 50-25
	60	22	9.5	21	8.5	HCRL 50-35
70	60	24	11.5	19	5.5	HCRL 70-16
	60	24	11.5	21	7.5	HCRL 70-25
	65	24	11.5	21	8.5	HCRL 70-35
	65	24	11.5	22	9.5	HCRL 70-50
95	65	27	13.5	21	7.5	HCRL 95-25
	65	27	13.5	21	8.5	HCRL 95-25
	70	27	13.5	22	9.6	HCRL 95-50
	70	27	13.5	24	11.5	HCRL 95-70
120	70	30	15.5	21	8.5	HCRL 120-35
	70	30	15.5	22	9.5	HCRL 120-50
	75	30	15.5	24	11.5	HCRL 120-70
	75	30	15.5	27	13.5	HCRL 120-95
150	70	30	16.5	22	9.5	HCRL 150-50
	75	30	16.5	24	11.5	HCRL 150-70
	80	30	16.5	27	13.5	HCRL 150-95
	80	30	16.5	30	15.5	HCRL 150-120
185	75	32	18.5	24	11.5	HCRL 185-70
	80	32	18.5	27	13.5	HCRL 185-95
	85	32	18.5	30	15.5	HCRL 185-120
	85	32	18.5	30	16.5	HCRL 185-150
240	85	38	21.5	27	13.5	HCRL 240-95
	90	38	21.5	30	15.5	HCRL 240-120
	90	38	21.5	30	16.5	HCRL 240-150
	95	38	21.5	32	18.5	HCRL 240-185
300	95	42	23.5	30	15.5	HCRL 300-120
	95	42	23.5	30	16.5	HCRL 300-150
	100	42	23.5	32	18.5	HCRL 300-185
	105	42	23.5	38	21.5	HCRL 300-240
400	110	55	26.5	30	16.5	HCRL 400-150
	110	55	26.5	32	18.5	HCRL 400-185
	125	55	26.5	38	21.5	HCRL 400-240
	125	55	26.5	42	23.5	HCRL 400-300
500	115	55	30	32	18.5	HCRL 500-185
	120	55	30	38	21.5	HCRL 500-240
	125	55	30	42	23.5	HCRL 500-300
	140	55	30	55	26.5	HCRL 500-400

TINNED COPPER REDUCING LINKS

Cable mm ²	Dimensions in mm ± 3%					Product Code
	A	B	D	K	M	
630	120	56	34.5	38	21.5	HCRL 630-240
	125	56	34.5	42	23.5	HCRL 630-300
	140	56	34.5	55	26.5	HCRL 630-400
	140	56	34.5	55	30.0	HCRL 630-500

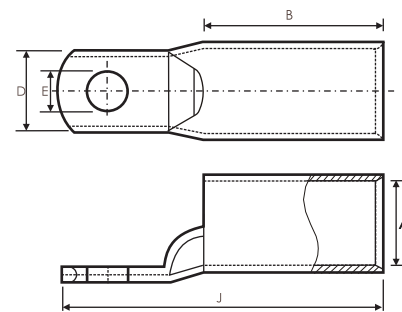


NARROW PALM - CIRCUIT BREAKER CABLE TERMINAL ENDS

MATERIAL : E - COPPER • FINISH : ELECTRO TINNED

Cable mm ²	Stud Hole E	Dimensions in mm ± 3%				Product Code
		A	D	B	J	
35	6.5	8.2	11.5	21.0	41.0	HNP 35-6
50	6.5	9.5	11.5	22.0	43.0	HNP 50-6
	8.4	9.5	15.5	22.0	45.0	HNP 50-8
70	10.2	9.5	19.0	22.0	49.0	HNP 50-10
	6.5	11.3	11.5	24.0	45.0	HNP 70-6
	8.4	11.3	15.5	24.0	47.0	HNP 70-8
95	10.2	11.3	19.0	24.0	51.0	HNP 70-10
	8.4	13.5	15.5	27.0	51.0	HNP 95-8
	10.2	13.5	19.0	27.0	55.0	HNP 95-10
120	8.4	15.0	19.0	30.0	61.0	HNP 120-8
	10.2	15.0	19.0	30.0	61.0	HNP 120-10
150	8.4	16.7	19.0	30.0	66.0	HNP 150-8
	10.2	16.7	19.0	30.0	66.0	HNP 150-10
185	10.2	18.5	24.5	32.0	74.0	HNP 185-10
	13.0	18.5	24.5	32.0	74.0	HNP 185-12
240	10.2	21.1	24.5	38.0	82.0	HNP 240-10
	13.0	21.1	24.5	38.0	82.0	HNP 240-12
300	10.2	23.6	24.5	42.0	87.0	HNP 300-10
	13.0	23.6	24.5	42.0	87.0	HNP 300-12

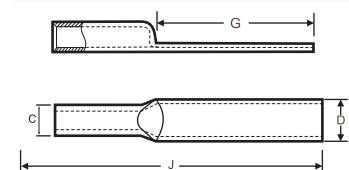
* Bell Mouthed Lugs are available on request. Add "B" before the Product Code.



LONG PALM LONG BARREL CABLE TERMINALS

MATERIAL : E - COPPER • FINISH : ELECTRO TINNED

Cable mm ²	Dimensions in mm ± 3%				Product Code
	C	J	D	G	
16	7.9	85	12.0	60	HCPB-16
25	9.5	95	16.0	60	HCPB-25
35	11.5	111	17.0	72	HCPB-35
50	12.8	130	18.3	81	HCPB-50
70	14.6	155	21.3	102	HCPB-70
95	17.4	161	26.0	102	HCPB-95
120	20.6	170	28.7	102	HCPB-120
150	22.2	170	32.5	102	HCPB-150
185	24.2	175	34.0	102	HCPB-185
240	28.5	195	40.0	105	HCPB-240
300	31.9	210	45.3	108	HCPB-400
400	34.9	229	50.3	111	HCPB-400
500	38.1	237	55.0	111	HCPB-500
630	44.0	250	63.0	111	HCPB-630



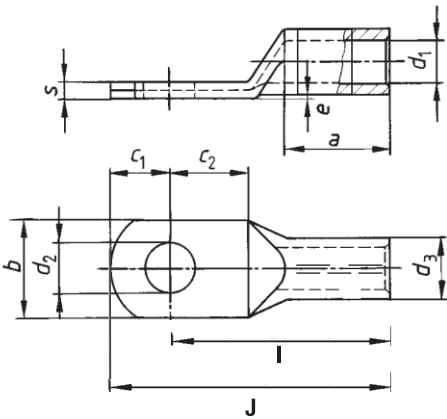
Tolerance as per Standard.

COMPRESSION TYPE TINNED COPPER CABLE LUGS (AS PER DIN 46235)

MATERIAL : E - COPPER • FINISH : TINNED

Cable mm ²	Stud Hole d2	Dimensions in mm									Product Code
		d1	d3	b	s	c1	c2	a	l	J	
6	5.3	3.8	5.5	8.5	1.5	9	6	10	24	33	HD 6-5
6	6.4	3.8	5.5	8.5	1.5	10.5	8	10	24	34.5	HD 6-6
10	5.3	4.5	6	9	1.5	9	6	10	27	36	HD 10-5
10	5.3	4.5	6	9	1.5	9	6	10	27	36	HD 10-5
16	6.4	5.5	8.5	13	2.5	10.5	8	20	36	46.5	HD 16-6
16	8.4	5.5	8.5	13	2.5	13	10	20	36	49	HD 16-8
16	10.5	5.5	8.5	17	2.5	15	12	20	36	51	HD 16-10
25	6.4	7	10	14	3	10.5	8	20	38	48.5	HD 25-6
25	8.4	7	10	15	3	13	10	20	38	51	HD 25-8
25	10.5	7	10	17	3	15	12	20	38	54	HD 25-10
25	13	7	10	19	3	16	13	20	38	54	HD 25-12
35	8.4	8.2	12.5	17	2.5	13	10	20	42	55	HD 35-8
35	10.5	8.2	12.5	19	2.5	15	12	20	42	57	HD 35-10
35	13	8.2	12.5	21	2.5	16	13	20	42	58	HD 35-12
50	8.4	10	14.5	20	4	13	10	28	52	65	HD 50-8
50	10.5	10	14.5	22	4	15	12	28	52	67	HD 50-10
50	13	10	14.5	24	4	16	13	28	52	68	HD 50-12
50	17	10	14.5	28	4	19	16	28	52	71	HD 50-16
70	8.4	11.5	16.5	24	4.5	13	10	28	55	68	HD 70-8
70	10.5	11.5	16.5	24	4.5	15	12	28	55	70	HD 70-10
70	13	11.5	16.5	24	4.5	16	13	28	55	71	HD 70-12
70	17	11.5	16.5	30	4.5	19	16	28	55	74	HD 70-16
95	10.5	13.5	19	28	5	15	12	35	65	80	HD 95-10
95	13	13.5	19	28	5	16	13	35	65	81	HD 95-12
95	17	13.5	19	32	5	19	16	35	65	84	HD 95-16
120	10.5	15.5	21	32	5.5	15	12	35	70	85	HD 120-10
120	13	15.5	21	32	5.5	16	13	35	70	86	HD 120-12
120	17	15.5	21	32	5.5	19	16	35	70	89	HD 120-16
120	21	15.5	21	38	5.5	22	20	35	70	92	HD 120-20
150	10.5	17	23.5	34	6	15	12	35	78	93	HD 150-10
150	13	17	23.5	34	6	16	13	35	78	94	HD 150-12
150	17	17	23.5	34	6	19	16	35	78	97	HD 150-16
150	21	17	23.5	40	6	22	20	35	78	100	HD 150-20
185	10.5	19	25.5	37	6	15	12	40	82	97	HD 185-10
185	13	19	25.5	37	6	16	13	40	82	98	HD 185-12
185	17	19	25.5	37	6	19	16	40	82	101	HD 185-16
185	21	19	25.5	40	6	22	20	40	82	104	HD 185-20
240	13	21.5	29	42	6.5	16	13	40	92	108	HD 240-12
240	17	21.5	29	42	6.5	19	16	40	92	111	HD 240-16
240	21	21.5	29	45	6.5	22	20	40	92	114	HD 240-20
300	17	24.5	32	48	7	19	16	50	100	119	HD 300-16
300	21	24.5	32	48	7	22	20	50	100	122	HD 300-20
400	17	27.5	38.5	55	10	25	16	70	115	140	HD 400-16
400	21	27.5	38.5	55	10	25	20	70	115	140	HD 400-20
500	21	31	42	60	10	25	20	70	125	150	HD 500-20
625	21	34.5	44	60	10	25	20	80	135	160	HD 625-20
800	21	40	52	75	12	25	20	100	165	190	HD 800-20
1000	21	44	58	85	14	25	20	100	165	190	HD 1000-20

The cable lugs shall be marked with manufacturer's symbol, nominal size of conductor / stud hole & location for crimping.

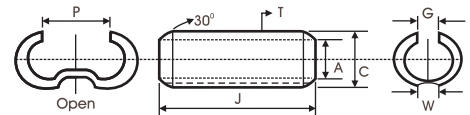


SOLDERING TYPE COPPER WEAK BACK FERRULES

MATERIAL : E - COPPER • FINISH : ELECTRO TINNED

Cable mm ²	Dimensions in mm \pm 3%						Product Code
	A	C	G	J	P	W	
6	3.0	4.6	2	20	3	-	HWB - 6
10	4.4	6.0	2	25	4	-	HWB - 10
16	5.5	7.5	2	25	5	1.5	HWB - 16
25	7.0	9.0	2	30	7	1.5	HWB - 25
35	8.0	10.4	2	35	8	1.5	HWB - 35
50	9.5	11.9	2	40	9	1.5	HWB - 50
70	12.0	14.8	3	45	12	3.0	HWB - 70
95	13.5	16.3	3	50	13	3.0	HWB - 95
120	15.5	18.7	4	55	15	3.0	HWB - 120
150	17.0	20.6	4	60	16	3.0	HWB - 150
185	18.5	22.9	4	65	18	5.0	HWB - 185
225	20.5	24.9	5	75	20	5.0	HWB - 225
240	22.0	26.4	5	80	21	5.0	HWB - 240
300	24.0	29.6	5	85	23	5.0	HWB - 300
400	28.5	34.7	7	95	27	5.0	HWB - 400
500	30.5	37.5	7	105	30	5.0	HWB - 500
625	34.5	42.5	8	115	33	5.0	HWB - 625

- Ferrules are supplied in open form.

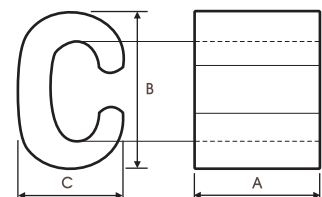
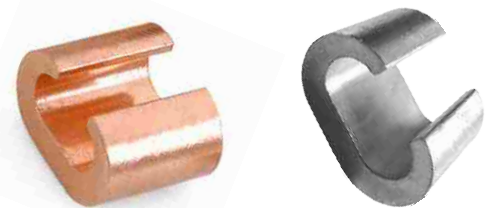


COPPER 'C' TYPE CONNECTORS

MATERIAL : E - COPPER • FINISH : COPPER / ELECTRO TINNED

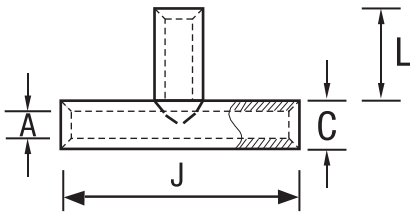
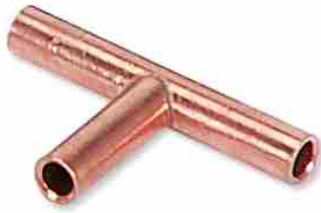
Cable mm ²	Dimensions in mm \pm 3%			Product Code
	A	B	C	
C6 - C6	9.00	9.80	6.40	HCC 6 - 6
C10 - C10	12.00	12.60	8.40	HCC 10 - 10
C16 - C16	18.00	17.60	11.00	HCC 16 - 16
C16 - C25	18.00	20.50	17.50	HCC 16 - 25
C25 - C25	22.00	24.70	14.50	HCC 25 - 25
C35 - C35	22.00	24.70	14.50	HCC 35 - 35
C50 - C50	24.00	34.00	21.50	HCC 50 - 50
C70 - C70	25.00	34.00	21.50	HCC 70 - 70
C95 - C95	29.00	27.40	21.50	HCC 95 - 95
C120 - C120	30.00	42.60	25.00	HCC 120 - 120
C150 - C150	32.00	54.00	31.70	HCC 150 - 150
C185 - C185	32.00	54.00	31.70	HCC 185 - 185
C240 - C240	33.00	60.00	35.00	HCC 240 - 240

- * Add 'T' after Product Code for Tinned Connectors



T - CONNECTORS

- Standard type
- Material : E - Copper
- Finish : Copper



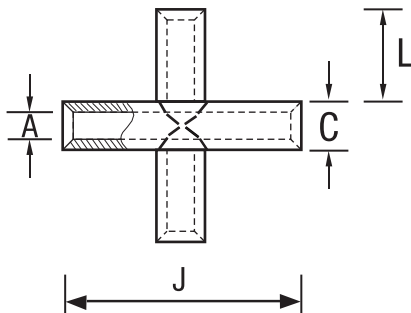
Cable mm ²	Dimensions in mm ± 3%				Product Code
	A	C	J	L	
1.5	1.8	3.7	30	12	HTCW-1.5
2.5	2.4	4.0	30	12	HTCW-2.5
4	3.1	4.8	30	12	HTCW-4
6	3.8	5.5	35	14	HTCW-6
10	4.5	6.2	35	14	HTCW-10
16	5.4	7.1	50	21	HTCW-16
25	6.8	8.8	55	23	HTCW-25
35	8.2	10.6	70	30	HTCW-35
50	9.5	12.4	80	34	HTCW-50
70	11.3	14.6	85	35	HTCW-70
95	13.5	17.4	90	36	HTCW-90
120	15.0	19.4	95	38	HTCW-120
150	16.5	21.2	110	44	HTCW-150
185	18.5	23.5	115	45	HTCW-185
240	21.0	26.5	130	52	HTCW-240

Also Available in Aluminium on request

* Add 'T' after Product Code for Tinned Connectors

CROSS - CONNECTORS

- Standard type
- Material : E - Copper
- Finish : Copper



Cable mm ²	Dimensions in mm ± 3%				Product Code
	A	C	J	L	
1.5	1.8	3.7	30	12	HCCW-1.5
2.5	2.4	4.0	30	12	HCCW-2.5
4	3.1	4.8	30	12	HCCW-4
6	3.8	5.5	35	14	HCCW-6
10	4.5	6.2	35	14	HCCW-10
16	4.5	7.1	50	21	HCCW-16
25	6.8	8.8	55	23	HCCW-25
35	8.2	10.6	70	30	HCCW-35
50	9.5	12.4	80	34	HCCW-50
70	11.3	14.6	85	35	HCCW-70
95	13.5	17.4	90	36	HCCW-90
120	15.0	19.4	95	38	HCCW-120
150	16.5	21.2	110	44	HCCW-150
185	18.5	23.5	115	45	HCCW-185
240	21.0	26.5	130	52	HCCW-240

Also Available in Aluminium on request

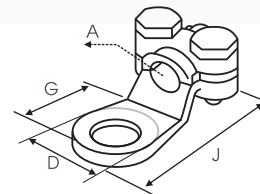
* Add 'T' after Product Code for Tinned Connectors

MECHANICAL CABLE LUGS - BOLTED WITH 2 SCREWS OR 4 SCREWS

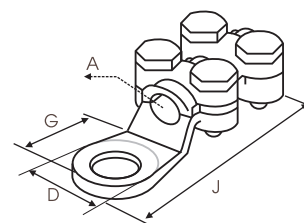
MATERIAL : BRASS • FINISH : ELECTRO TINNED

STEEL SCREWS : ELECTRO PLATED

Cable mm ²	Dimensions in mm \pm 3%					Screw	Type	Product Code
	A	G	D	J				
10	4.0	6.0	15.0	32.5	M - 5	I	H2B - 10	
16	5.1	8.5	17.0	37.0	M - 5	I	H2B - 16	
25	6.3	8.5	18.75	42.0	M - 5	I	H2B - 25	
35	7.5	10.5	21.50	4.0	M - 5	I	H2B - 35	
50	9.5	10.5	23.0	56.5	M - 6	II	H4B - 50	
75	11.0	13.25	26.0	61.0	M - 6	II	H4B - 75	
100	13.0	14.30	29.0	65.0	M - 6	II	H4B - 100	
120	14.0	14.80	32.0	71.0	M - 6	II	H4B - 120	
170	16.0	16.0	33.0	81.0	M - 8	II	H4B - 170	
200	17.0	17.0	35.0	85.0	M - 8	II	H4B - 200	
250	18.0	17.0	38.0	87.5	M - 8	II	H4B - 250	
300	21.0	19.8	45.0	118	M - 10	II	H4B - 300	
400/500	25.5	22.0	53.0	132	M - 10	II	H4B - 400/500	
700	34.0	22.0	60.0	150	M - 10	II	H4B - 700	



TYPE I



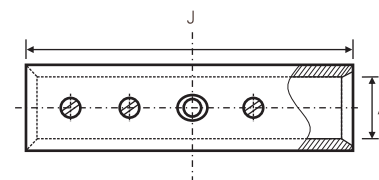
TYPE II

TINNED SCREW SLEEVES

MATERIAL : BRASS • FINISH : ELECTRO TINNED

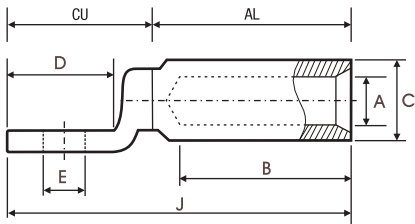
STEEL SCREWS : ELECTRO PLATED

Cable mm ²	Dimensions in mm \pm 3%		Product Code
	A	J	
6	3.5	20	HTBSS 6
10	4.4	30	HTBSS 10
16	5.5	40	HTBSS 16
25	6.8	45	HTBSS 25
35	8.2	45	HTBSS 35
50	9.5	48	HTBSS 50
70	11.2	52	HTBSS 70
95	13.4	55	HTBSS 95
120	15	55	HTBSS 120
150	16.5	60	HTBSS 150
185	19	60	HTBSS 185
240	21	65	HTBSS 240
300	23.5	65	HTBSS 300



ALUMINIUM - COPPER BI-METAL TERMINALS (WITH COPPER PALMS)

Al-Cu Bi-metal terminals are used for connecting Aluminium cables to Copper busbars.

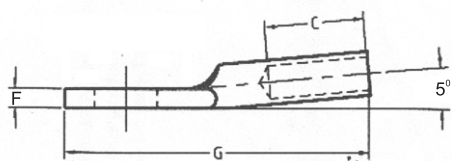
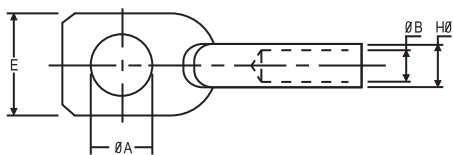


Aluminium		Palm		Stud	Barrel	Total	Product Code
ID A	OD C	Width D	Thickness F	Hole Dia. E	Depth B	Length J	
5.7	14.0	20.0	3.0	11.0	40.0	76.0	HBT 10 - 10
6.0	14.0	20.0	3.0	11.0	40.0	76.0	HBT 16 - 10
7.0	14.0	20.0	3.0	13.0	40.0	76.0	HBT 25 - 12
8.0	14.0	20.0	3.0	13.0	40.0	76.0	HBT 35 - 12
10.0	16.0	25.0	5.0	13.0	45.0	90.0	HBT 50 - 12
11.3	18.0	25.0	5.0	13.0	45.0	90.0	HBT 70 - 12
13.5	22.0	25.0	5.0	13.0	45.0	90.0	HBT 95 - 12
15.0	22.0	30.0	6.0	13.0	60.0	112.0	HBT 120 - 12
16.5	25.0	30.0	6.0	13.0	60.0	112.0	HBT 150 - 12
18.5	28.0	35.0	7.5	13.0	60.0	124.0	HBT 185 - 12
18.5	28.0	35.0	7.5	17.0	60.0	124.0	HBT 185 - 16
21.0	32.0	35.0	7.5	13.0	60.0	124.0	HBT 240 - 12
21.0	32.0	35.0	7.5	17.0	60.0	124.0	HBT 240 - 16
23.5	34.0	35.0	7.5	13.0	70.0	136.0	HBT 300 - 12
23.5	34.0	35.0	7.5	17.0	70.0	136.0	HBT 300 - 16
26.0	38.0	36.0	10.0	17.0	80.0	148.0	HBT 400 - 16
29.0	44.0	50.0	10.0	17.0	90.0	175.0	HBT 500 - 16
32.5	44.0	50.0	10.0	17.0	90.0	175.0	HBT 630 - 16
SQUARE PALM							
29.0	44.0	60 X 60	10.0	4 X 11	90.0	180.0	HBT 500- 4 X 10
32.5	44.0	60 X 60	10.0	4 X 11	90.0	180.0	HBT 630 - 4 X 10
39.0	54.0	60 X 60	10.0	4 X 11	115.0	210.0	HBT 800 - 4 X 10
42.0	60.0	80 X 80	10.0	4 X 11	125.0	250.0	HBT 1000 - 4 X 10
46.5	65.0	80 X 80	10.0	4 X 13	135.0	260.0	HBT 1300 - 4 X 12

TINNED COPPER FORGED CABLE LUGS

MATERIAL : E - COPPER • FINISH : ELECTRO TINNED

Cable mm ²	Dimensions in mm ± 5%							Product Code
	A	B	C	E	F	G	H	
16	8.3	5.5	30	22	4.5	80	11.5	HCFL 16 - 8
16	10.3	5.5	30	22	4.5	80	11.5	HCFL 16 - 10
16	12.3	5.5	30	22	4.5	80	11.5	HCFL 16 - 12
16	16.3	5.5	30	25	4.0	85	11.5	HCFL 16 - 16
25	10.3	7.0	30	22	4.5	80	11.5	HCFL 25 - 10
25	12.3	7.0	30	22	4.5	80	11.5	HCFL 25 - 12
25	16.3	7.0	30	25	4.0	85	11.5	HCFL 25 - 16
35	10.3	8.5	31	22	4.5	80	11.5	HCFL 35 - 10
35	12.3	8.5	31	22	4.5	80	11.5	HCFL 35 - 12
50	10.3	9.5	33	25	5.0	80	12.7	HCFL 50 - 10
50	12.3	9.5	33	25	5.0	80	12.7	HCFL 50 - 12
50	16.3	9.5	33	28	4.5	90	12.7	HCFL 50 - 16
50	18.3	9.5	33	28	4.5	90	12.7	HCFL 50 - 18
70	10.3	11.0	36	27	6.0	90	14.5	HCFL 70 - 10
70	12.3	11.0	36	27	6.0	90	14.5	HCFL 70 - 12
70	20.3	11.0	36	30	5.5	90	14.5	HCFL 70 - 20
95	10.3	13.5	40	36	6.5	100	17.3	HCFL 95 - 10
95	16.3	13.5	40	36	6.5	100	17.3	HCFL 95 - 16
95	18.3	13.5	40	36	6.5	100	17.3	HCFL 95 - 18
95	20.3	13.5	40	36	6.5	100	17.3	HCFL 95 - 20

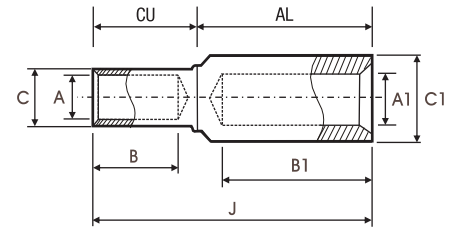


ALUMINIUM - COPPER BI - METAL CONNECTOR / SPLICE

MATERIAL : E - COPPER • FINISH : UNCOATED / ELECTRO TINNED

Al-Cu Bi-Metal splices are used for joining Aluminium Cable to Copper Cable.

Copper			Aluminium			Total Length	Product Code
A	C	B	A1	C1	B1	J	
5.5	8.5	25.0	6.0	14.0	40.0	75.0	HBS 16 - 16
5.5	8.5	25.0	7.0	14.0	40.0	75.0	HBS 25 - 16
7.0	10.0	25.0	7.0	14.0	40.0	76.0	HBS 25 - 25
5.5	8.5	25.0	8.0	14.0	40.0	76.0	HBS 35 - 16
7.0	10.0	25.0	8.0	14.0	40.0	76.0	HBS 35 - 25
8.2	12.5	25.0	8.0	14.0	40.0	77.0	HBS 35 - 35
7.0	10.0	25.0	10.0	16.0	45.0	82.0	HBS 50 - 25
8.2	12.5	25.0	10.0	16.0	45.0	82.0	HBS 50 - 35
10.0	14.5	30.0	10.0	16.0	45.0	88.0	HBS 50 - 50
8.2	12.5	25.0	11.3	18.0	45.0	83.0	HBS 70 - 35
10.0	14.5	30.0	11.3	18.0	45.0	89.0	HBS 70 - 50
11.5	16.5	35.0	11.3	18.0	45.0	94.0	HBS 70 - 70
10.0	14.5	30.0	13.5	22.0	45.0	90.0	HBS 95 - 50
11.5	16.5	35.0	13.5	22.0	45.0	95.0	HBS 95 - 70
13.5	19.0	40.0	13.5	22.0	45.0	101.0	HBS 95 - 95
11.5	16.5	35.0	15.0	22.0	60.0	111.0	HBS 120 - 70
13.5	19.0	40.0	15.0	22.0	60.0	116.0	HBS 120 - 95
15.5	21.0	40.0	15.0	22.0	60.0	117.0	HBS 120 - 120
13.5	19.0	40.0	16.5	25.0	60.0	117.0	HBS 150 - 95
15.5	21.0	40.0	16.5	25.0	60.0	118.0	HBS 150 - 120
17.0	23.5	45.0	16.5	25.0	60.0	123.0	HBS 150 - 150
15.5	21.0	40.0	18.5	28.0	60.0	119.0	HBS 185 - 120
17.0	23.5	45.0	18.5	28.0	60.0	124.0	HBS 185 - 150
19.0	25.5	45.0	18.5	28.0	60.0	125.0	HBS 185 - 185
17.0	23.5	45.0	21.0	32.0	60.0	125.0	HBS 240 - 150
19.0	25.5	45.0	21.0	32.0	60.0	126.0	HBS 240 - 185
21.5	29.0	50.0	21.0	32.0	60.0	132.0	HBS 240 - 240



Construction : EC Grade Copper is friction welded to EC Grade Aluminium.
Further machined to required size.

Made to order Bi - Metallic connectors as per customers specifications / samples / diagrams can be available.

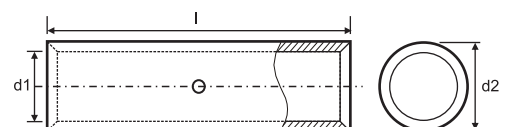
COMPRESSION TYPE TINNED COPPER CONNECTORS (AS PER DIN 46267)

MATERIAL : E - COPPER • FINISH : ELECTRO TINNED

Cable mm ²	Dimensions in mm			Product Code
	d1	d2	l	
6	3.8	5.5	30	HDC - 6
10	4.5	6	30	HDC - 10
16	5.5	8.5	50	HDC - 16
25	7	10	50	HDC - 25
35	8.2	12.5	50	HDC - 35
50	10	14.5	56	HDC - 50
70	11.5	16.5	56	HDC - 70
95	13.5	19	70	HDC - 95
120	15.5	21	70	HDC - 120
150	17	23.5	80	HDC - 150
185	19	25.5	85	HDC - 185
240	21.5	29	90	HDC - 240
300	24.5	32	100	HDC - 300
400	27.5	38.5	150	HDC - 400
500	31	42	160	HDC - 500
625	34.5	44	160	HDC - 625
800	40	52	200	HDC - 800
1000	44	58	200	HDC - 1000

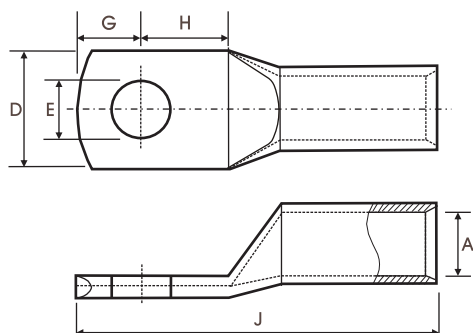
Note :
The DIN connectors shall be permanently marked by stamping with manufacturer symbol, nominal size of conductor & location for crimping.

Tolerance as per Standard.



ALUMINIUM TERMINALS

MATERIAL : ALUMINIUM • FINISH : NATURAL / PASSIVATED ALUMINIUM

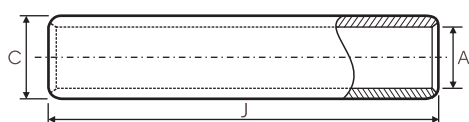


Cable mm ²	Stud Hole E	Dimensions in mm ± 3%					Product Code
		A	D	G	H	J	
16	8	-	-	11.0	13.0	77.0	HAT 16 - 8
25	8	7.2	14.0	14	13.0	77.0	HAT 25 - 8
35	8	8.3	16.0	16	13.0	77.5	HAT 35 - 8
	10	8.3	16.0	-	13.0	77.5	HAT 35 - 10
50	12	10.1	19.5	-	16.0	91.0	HAT 50 - 12
	14	10.1	19.5	-	18.0	95.0	HAT 50 - 14
70	12	10.2	20.5	-	16.0	91.0	HAT 70 - 12
	14	10.2	20.5	-	18.0	95.0	HAT 70 - 14
95	12	12.0	23.5	-	16.0	91.0	HAT 95 - 12
	14	12.0	23.5	-	18.0	95.0	HAT 95 - 14
120	12	13.7	26.5	-	16.0	115.0	HAT 120 - 12
	14	13.7	26.5	-	18.0	119.0	HAT 120 - 14
150	12	15.1	29.5	-	16.0	115.0	HAT 150 - 12
	14	15.1	29.5	-	18.0	119.0	HAT 150 - 14
185	12	16.6	33.0	-	20.0	122.0	HAT 185 - 12
	14	16.6	33.0	-	22.0	126.0	HAT 185 - 14
240	12	19.3	37.5	-	20.0	122.0	HAT 240 - 12
	14	19.3	37.5	-	22.0	126.0	HAT 240 - 14
300	12	21.8	42.0	-	22.0	130.0	HAT 300 - 12

- "HEX" Al. Terminals & through connectors are designed to accept a variety of conductor forms, especially less stranded compacted conductors.
- ONLY ON SPECIAL REQUEST : Barrels can be filled with grease & capped to avoid oxidation of the conductor.

ALUMINIUM THROUGH CONNECTORS

MATERIAL : ALUMINIUM • FINISH : NATURAL / PASSIVATED ALUMINIUM



Cable mm ²	Dimensions in mm ± 3%			Product Code
	A	C	J	
16	5.5	16.0	90.5	HTAC - 16
25	6.5	16.0	90.5	HTAC - 25
35	8.0	16.0	90.5	HTAC - 35
50	9.0	20.0	106.5	HTAC - 50
70	11.0	20.0	106.5	HTAC - 70
95	12.5	20.0	106.5	HTAC - 95
120	13.7	25.0	133.0	HTAC - 120
150	15.5	25.0	135.0	HTAC - 150
185	17.0	32.0	143.5	HTAC - 185
240	19.5	32.0	146.0	HTAC - 240
300	22.5	34.0	144.5	HTAC - 300

- ONLY ON SPECIAL REQUEST : Barrels can be filled with grease & capped to avoid oxidation of the conductor.

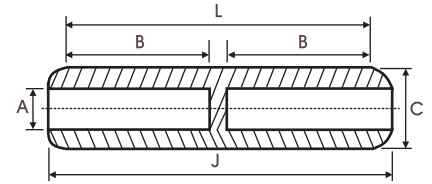
ALUMINIUM SPLICE FOR LV & MV (UPTO 33 KV), FOR SIMILAR CABLE CROSS SECTIONAL AREAS

MATERIAL : ALUMINIUM
FINISH : NATURAL / PASSIVATED ALUMINIUM

Cable mm ²	Dimensions in mm ± 3%					Product Code
	A	C	L	B	J	
16	5.5	16	76	43	90	HASC - 16
25	6.5	16	76	43	90	HASC - 25
35	8	16	80	43	92	HASC - 35
50	9	20	93	53	110	HASC - 50
70	11	20	96	53	110	HASC - 70
95	12.5	20	98	53	110	HASC - 95
120	13.7	25	117	66	135	HASC - 120
150	15.5	25	118	66	135	HASC - 150
185	17	32	122	70	146	HASC - 185
240	19.5	32	124	70	146	HASC - 240
300	23.3	36	185	100	208	HASC - 300
400	26	36	190	100	208	HASC - 400
500	29.1	47	190	107	222	HASC - 500
630	33.5	47	197	107	222	HASC - 630
800	37.5	60	232	127	274	HASC - 800
1000	42	60	240	128	276	HASC - 1000

* Also Available for Dissimilar Cable Cross Sectional Area

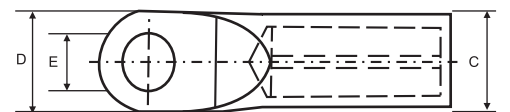
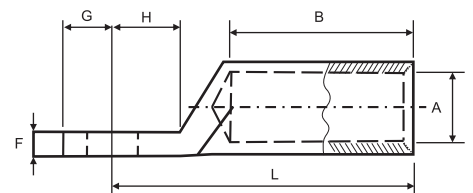
- ONLY ON SPECIAL REQUEST : Barrels can be filled with grease & capped to avoid oxidation of the conductor.



AL. COMPRESSION CABLE LUGS AS PER DIN 46329

MATERIAL : E-ALUMINIUM
FINISH : NATURAL

Cable mm ²	Barrier design with oil stop. All Dimensions are in mm									Product Code
	E	A	C	D	F	B	H	G	L	
25	9	6.8	12	25	4	30	15.5	12.5	50	HAFDL 25-8
	11	6.8	12	25	4	30	15.5	12.5	50	HAFDL 25-10
	13	6.8	12	25	4	30	15.5	12.5	50	HAFDL 25-12
35	9	8	14	25	4	42	15.5	12.5	62	HAFDL 35-8
	11	8	14	25	4	42	15.5	12.5	62	HAFDL 35-10
	13	8	14	25	4	42	15.5	12.5	62	HAFDL 35-12
50	9	9.8	16	25	5.5	42	15.5	12.5	62	HAFDL 50-8
	11	9.8	16	25	5.5	42	15.5	12.5	62	HAFDL 50-10
	13	9.8	16	25	5.5	42	15.5	12.5	62	HAFDL 50-12
70	9	11.2	18.5	25	5.5	52	15.5	12.5	72	HAFDL 70-8
	11	11.2	18.5	25	5.5	52	15.5	12.5	72	HAFDL 70-10
	13	11.2	18.5	25	5.5	52	15.5	12.5	72	HAFDL 70-12
95	11	13.2	22	25	6	56	15.5	12.5	75	HAFDL 95-10
	13	13.2	22	25	6	56	15.5	12.5	75	HAFDL 95-12
	120	11	14.7	23	30	7.5	56	20	15	80
120	13	14.7	23	30	7.5	56	20	15	80	HAFDL 120-12
	17	14.7	23	30	7.5	56	20	15	80	HAFDL 120-16
	150	11	16.3	25	30	8	60	20	15	90
150	13	16.3	25	30	8	60	20	15	90	HAFDL 150-12
	17	16.3	25	30	8	60	20	15	90	HAFDL 150-16
	185	11	18.3	28.5	30	8	60	20	15	91
185	13	18.3	28.5	30	8	60	20	15	91	HAFDL 185-12
	17	18.3	28.5	30	8	60	20	15	91	HAFDL 185-16
	240	13	21	32	38	11	70	24	19	103
240	17	21	32	38	11	70	24	19	103	HAFDL 240-16
	21	21	32	38	11	70	24	19	103	HAFDL 240-20
	300	13	23.3	34	38	13	70	24	19	103
300	17	23.3	34	38	13	70	24	19	103	HAFDL 300-16
	21	23.3	34	38	13	70	24	19	103	HAFDL 300-20
	400	13	26	38.5	38	14	73	24	19	116
400	17	26	38.5	38	14	73	24	19	116	HAFDL 400-16
	21	26	38.5	38	14	73	24	19	116	HAFDL 400-20
	500	13	29	44	44	15	79	24	22	122
500	17	29	44	44	15	79	24	22	122	HAFDL 500-16
	21	29	44	44	15	79	24	22	122	HAFDL 500-20

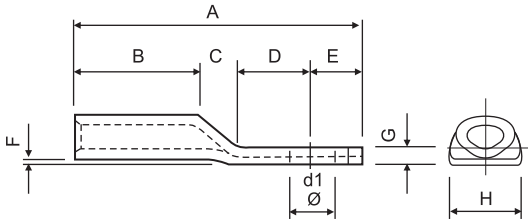


Also available tin plated for copper connections. For tin plated, please add "T" before HEX Prod. Code.

Tolerance : as per Standard.

ALUMINIUM 3-CORE SECTOR CABLE LUGS

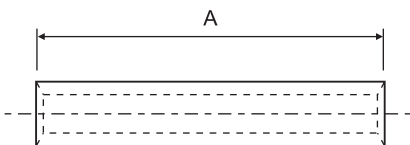
MATERIAL : ALUMINIUM • FINISH : NATURAL / PASSIVATED ALUMINIUM



Cable mm ²	Stud Ø	Dimensions in mm ± 3%									Product Code
		A	B	C	D	E	F	G	H	d1Ø	
25	8							4.1	15.2	8.4	HAL3 25-8
	10	65	25	8	17	12	1			10.4	HAL3 25-10
	12							2.9	21	12.5	HAL3 25-12
35	8							4.4	17.6	8.4	HAL3 35-8
	10	68	30	8	17	12	1			10.4	HAL3 35-10
	12							3.6	21	12.5	HAL3 35-12
50	10							4.5	20.3	8.4	HAL3 50-10
	12	71	32	10	17	12	1			10.4	HAL3 50-12
	16							2.9	21	12.5	HAL3 50-16
70	10							5	23.2	10.4	HAL3 70-10
	12	76	35.5	11	17	12	1			12.5	HAL3 70-12
	16							4.6	26	16.5	HAL3 70-16
95	10									10.4	HAL3 95-10
	12	82	39	14	17	12	1.5	5.7	27.7	12.5	HAL3 95-12
	16									16.5	HAL3 95-16
120	12									10.4	HAL3 120-12
	16	88	44	15	17	12	1.5	6.5	31	12.5	HAL3 120-16
	20									16.5	HAL3 120-20
150	12									12.4	HAL3 150-12
	16	100	47.5	16	20.5	16	1.5	7.2	34.7	16.5	HAL3 150-16
	20									20.5	HAL3 150-20
185	12									12.4	HAL3 185-12
	16	106	47.5	16	20.5	16	1.5	7.2	34.7	16.5	HAL3 185-16
	20									20.5	HAL3 185-20
240	20	116	55.5	20.5	22	18	2	5.7	43.6	20.5	HAL3 240-20
300	20	128.5	60.5	23	25	20	2	9.7	49.2	20.5	HAL3 300-20

ALUMINIUM SECTOR FERRULES

MATERIAL : ALUMINIUM • FINISH : NATURAL / PASSIVATED ALUMINIUM



HAL3
3-CORE
SECTOR

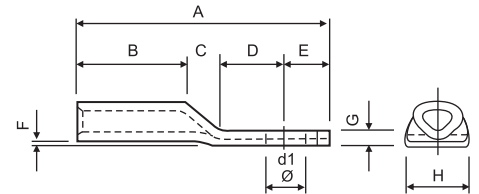
HAL4
4-CORE
SECTOR

Cable mm ²	Dimensions A	Product Code	
		3-CORE SECTOR	4-CORE SECTOR
25	66	HAL-3F-25	HAL-4F-25
35	70	HAL-3F-35	HAL-4F-35
50	74	HAL-3F-50	HAL-4F-50
70	78	HAL-3F-70	HAL-4F-70
95	84	HAL-3F-95	HAL-4F-95
120	91	HAL-3F-120	HAL-4F-120
150	102	HAL-3F-150	HAL-4F-150
185	108	HAL-3F-185	HAL-4F-185
240	118	HAL-3F-240	HAL-4F-240
300	130	HAL-3F-300	HAL-4F-300
400	140	—	—
500	155	—	—
630	172	—	—
800	—	—	—
1000	—	—	—

ALUMINIUM 4-CORE SECTOR CABLE LUGS

MATERIAL : ALUMINIUM • FINISH : NATURAL / PASSIVATED ALUMINIUM

Cable mm ²	Stud Ø	Dimensions in mm ± 3%									Product Code
		A	B	C	D	E	F	G	H	d1Ø	
25	8	62	25	8	17	12	1	4.1	15.2	8.4	HAL4 25-8
	10	62	25	8	17	12	1	4.0	17	10.4	HAL4 25-10
	12	62	25	8	17	12	1	2.9	21	12.5	HAL4 25-12
35	8	70	30.5	10	18.5	11	1	4.4	17.6	8.4	HAL4 35-8
	10	70	30.5	10	18.5	11	1	3.8	19.5	10.4	HAL4 35-10
	12	70	30.5	10	18.5	11	1	3.6	21	12.5	HAL4 35-12
50	10	73.3	32.5	11	18	12.8	1	4.5	20.3	10.4	HAL4 50-10
	12	73.3	32.5	11	18	12.8	1	4.0	20.5	12.5	HAL4 50-12
	16	73.3	32.5	11	18	12.8	1	2.9	21	16.5	HAL4 50-16
70	10	76.6	36.5	11.5	16.5	12	1	5	23.2	10.4	HAL4 70-10
	12	76.6	36.5	11.5	16.5	12	1	4.8	25.5	12.5	HAL4 70-12
	16	76.6	36.5	11.5	16.5	12	1	4.6	26	16.5	HAL4 70-16
95	10	84	39	15	17.5	12.5	1.5	5.5	27.8	10.4	HAL4 95-10
	12	84	39	15	17.5	12.5	1.5	5.5	27.8	12.5	HAL4 95-12
	16	84	39	15	17.5	12.5	1.5	5.5	27.8	16.5	HAL4 95-16
120	12	91.8	45.5	16.8	17.5	12	1.5	6.2	30.8	12.5	HAL4 120-12
	16	91.8	45.5	16.8	17.5	12	1.5	6.2	30.8	16.5	HAL4 120-16
	20	91.8	45.5	16.8	17.5	12	1.5	6.2	30.8	20.5	HAL4 120-20
150	12	102	47.2	20	18.3	16.5	1.5	7.5	34	12.4	HAL4 150-12
	16	102	47.2	20	18.3	16.5	1.5	7.5	34	16.5	HAL4 150-16
	20	102	47.2	20	18.3	16.5	1.5	7.5	34	20.5	HAL4 150-20
185	12	109.2	53.5	20.2	19.5	16	1.5	7.3	38.3	12.4	HAL4 185-12
	16	109.2	53.5	20.2	19.5	16	1.5	7.3	38.3	16.5	HAL4 185-16
	20	109.2	53.5	20.2	19.5	16	1.5	7.3	38.3	20.5	HAL4 185-20
240	20	117	55.5	23	20.2	17.5	2	9	42.5	20.5	HAL4 240-20
300	20	130	60	23	27	20	2	11	49.2	20.5	HAL4 300-20

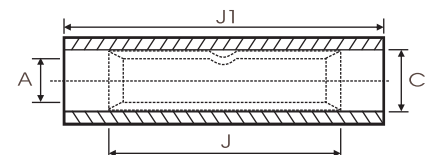


INSULATED IN-LINE CONNECTORS

MATERIAL : E - COPPER • FINISH : ELECTRO TINNED

Connectors are fully insulated with a PVC/NYLON sleeve.

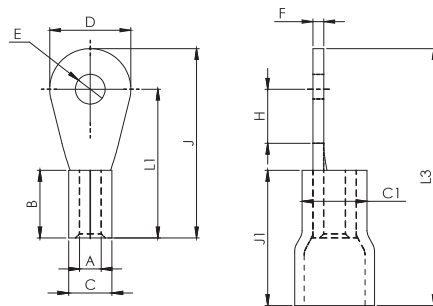
Cable mm ²	Dimensions in mm ± 3%				Product Code
	A	C	J	J1	
1.50	1.80	3.70	12.00	25.00	HTIC - 1.5
2.50	2.40	4.00	15.00	25.00	HTIC - 2.5
4.00	3.10	4.80	15.00	25.00	HTIC - 4
6.00	3.80	5.50	15.00	27.00	HTIC - 6



RING TYPE TINNED COPPER CABLE TERMINAL ENDS - NON INSULATED & INSULATED

MATERIAL : E - COPPER • FINISH : ELECTRO TINNED

COLOUR CODING OF INSULATION SLEEVE
1.5 - RED, 2.5 - BLUE, 4 - 6 - YELLOW

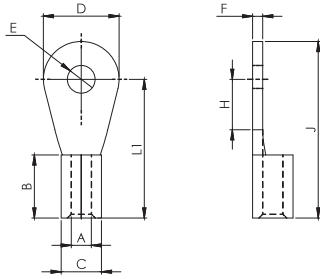


Cable mm ²	Stud Hole E	Dimensions in mm ± 3%								Non Insulated Product Code	Dimensions in mm ± 3%			Insulated Product Code
		A	C	D	F	B	H	L1	J		J1	C1	L3	
1.5	2.2	1.6	3.2	6	0.8	5	4	11	14	HR - 7103	10	4.8	19	HRI - 7052
1.5	2.6	1.6	3.2	6	0.8	5	4	11	14	HR - 7000	10	4.8	19	HRI - 7053
1.5	3.2	1.6	3.2	6	0.8	5	4	11	14	HR - 7001	10	4.8	19	HRI - 7054
1.5	3.7	1.6	3.2	6	0.8	5	4	11	14	HR - 7002	10	4.8	19	HRI - 7055
1.5	4.2	1.6	3.2	6	0.8	5	4	11	14	HR - 7003	10	4.8	19	HRI - 7056
1.5	5.2	1.6	3.2	8	0.8	5	5	12	16	HR - 7005	10	4.8	21	HRI - 7062
1.5	6.4	1.6	3.2	10	0.8	5	6	13	18	HR - 7007	10	4.8	23	HRI - 7066
2.5	3.2	2.3	3.9	6.5	0.8	5	3.5	9.5	12.7	HR - 7107	10	5.5	17.7	HRI - 7068
2.5	3.7	2.3	3.9	6.5	0.8	5	3.5	9.5	12.7	HR - 7008	10	5.5	17.7	HRI - 7069
2.5	4.2	2.3	3.9	8	0.8	5	5	12	16	HR - 7009	10	5.5	21	HRI - 7071
2.5	5.2	2.3	3.9	8	0.8	5	5	12	16	HR - 7010	10	5.5	21	HRI - 7072
2.5	6.4	2.3	3.9	10	0.8	5	7	13	18	HR - 7011	10	5.5	23	HRI - 7074
2.5	8.2	2.3	3.9	12	0.8	5	9	16	22	HR - 7013	10	5.5	27	HRI - 7077
2.5	8.2	2.3	3.9	16	0.8	5	10	17	25	HR - 7014	10	5.5	30	HRI - 7079
2.5	10.2	2.3	3.9	16	0.8	5	10	17	25	HR - 7015	10	5.5	30	HRI - 7080
2.5	12.7	2.3	3.9	18	0.8	5	14	20	29	HR - 7047	10	5.5	34	HRI - 7082
4-6	4.2	3.5	5.5	10	1	6	5	14	19	HR - 7112	14	7.1	27	HRI - 7085
4-6	5.2	3.5	5.5	10	1	6	5	14	19	HR - 7016	14	7.1	27	HRI - 7086
4-6	6.4	3.5	5.5	12	1	6	6	14	20	HR - 7017	14	7.1	28	HRI - 7089
4-6	8.2	3.5	5.5	12	1	6	6	14	20	HR - 7018	14	7.1	28	HRI - 7090
4-6	8.2	3.5	5.5	14	1	6	10.5	18.5	25.5	HR - 7020	14	7.1	33.5	HRI - 7094
4-6	9.7	3.5	5.5	14	1	6	10.5	18.5	25.5	HR - 7021	14	7.1	33.5	HRI - 7095
10	4.2	4.3	6.3	10	1	8	7	17	22	HR - 7118				
10	5.2	4.3	6.3	10	1	8	7	17	22	HR - 7025				
10	6.4	4.3	6.3	12	1	8	7	17	23	HR - 7120				
10	8.2	4.3	6.3	16	1	8	7	19	27	HR - 7121				
10	10.2	4.3	6.3	22	1	8	10	23	34	HR - 7123				
10	12.7	4.3	6.3	22	1	8	10	23	34	HR - 7028				
16	6.4	5.6	8	16	1.2	10	8	22	30	HR - 7126				
16	8.2	5.6	8	16	1.2	10	8	22	30	HR - 7030				
16	10.2	5.6	8	22	1.2	10	8	24	35	HR - 7128				
16	12.7	5.6	8	22	1.2	10	8	24	35	HR - 7033				
25	6.4	7.5	11.1	16	1.8	11	6	22	30	HR - 7129				
25	8.2	7.5	11.1	16	1.8	11	6	22	30	HR - 7034				
25	10.2	7.5	11.1	16	1.8	11	6	22	30	HR - 7035				
25	12.7	7.5	11.1	22	1.8	11	14	31	42	HR - 7037				
35	6.4	9	12.6	16	1.8	12	6	23	31	HR - 7133				
35	8.2	9	12.6	16	1.8	12	6	23	31	HR - 7038				
35	10.2	9	12.6	22	1.8	12	15	31	42	HR - 7135				
35	12.7	9	12.6	22	1.8	12	15	31	42	HR - 7040				



RING TYPE TINNED COPPER CABLE TERMINAL ENDS (NON INSULATED)

MATERIAL : E - COPPER • FINISH : ELECTRO TINNED



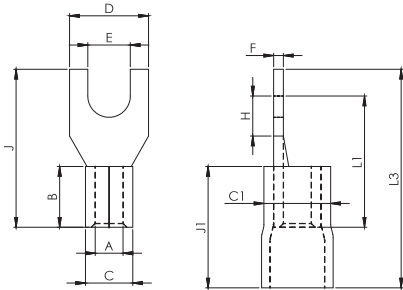
Cable mm ²	Stud Hole E	Dimensions in mm ± 3%								Non Insulated Product Code
		A	C	D	F	B	H	L1	J	
50	8.2	10.5	14.1	18	1.8	16	12	34	43	HR - 7136
50	10.2	10.5	14.1	24	1.8	16	14	36	48	HR - 7138
50	12.7	10.5	14.1	24	1.8	16	14	36	48	HR - 7042
50	16.2	10.5	14.1	32	1.8	16	15	38	54	HR - 7139
70	10.2	12	16	22	2	18	11	36	47	HR - 7140
70	12.7	12	16	22	2	18	11	36	47	HR - 7043
70	16.2	12	16	28	2	18	16	40	54	HR - 7142
95	10.2	13.5	18.1	24	2.3	20	12	38	50	HR - 7144
95	12.7	13.5	18.1	24	2.3	20	12	38	50	HR - 7044
95	16.2	13.5	18.1	28	2.3	20	17	44	58	HR - 7145
120	12.7	15	20.2	26	2.6	22	7	39	52	HR - 7146
120	23	15	20.2	40	2.6	22	20	50	72	HR - 7148
150	16.2	16.5	23.7	40	3.6	24	20	54	74	HR - 7150
150	20.3	16.5	23.7	40	3.6	24	20	54	74	HR - 7046

FORK TYPE TINNED COPPER CABLE TERMINAL ENDS (NON INSULATED & INSULATED)

MATERIAL : E - COPPER • FINISH : ELECTRO TINNED

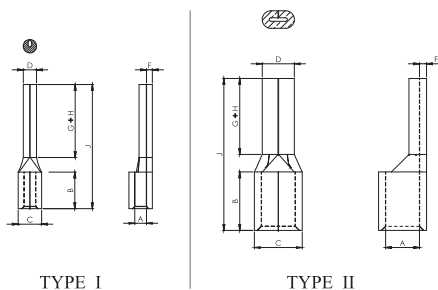
COLOUR CODING OF INSULATION SLEEVE

1.5 : RED, 2.5 : BLUE, 4 - 6 : YELLOW, 10 : BLACK



Cable mm ²	Stud Hole E	Dimensions in mm ± 3%								Non Insulated Product Code	Dimensions in mm			Insulated Product Code
		A	C	D	F	B	H	J	L1		C1	J1	L3	
1.5	5.1	1.6	3.2	8	0.8	5	10	21	17	HF - 7214	4.8	10	26	HFI - 7925
	3.5	1.6	3.2	6.8	0.8	5	4.8	14	8.8	HF - 7249	4.8	10	19	HFI - 7926
	3	2	2.8	6.2	0.4	5	3.1	13	10.5	HF - 7250	4.8	10	18	HFI - 7927
2.5	3.5	2.3	3.9	6.5	0.8	5	4.3	15	11.8	HF - 7251	5.5	10	20	HFI - 7928
	5	2.6	4.6	10.6	1.6	6.2	6.2	21	12.4	HF - 7280	5.5	10	24.8	HFI - 7929
4 - 6	3.1	3.5	5.5	6	1	6	5.5	15	11.5	HF - 7252	7.1	14	23	HFI - 7930
	3.5	3.5	5.5	6	1	6	5	15	11	HF - 7253	7.1	14	23	HFI - 7931
10	6.5	4.5	6.9	16	1.2	8	11	27	19	HF - 7254	7.9	16	35	HFI - 7932
	8.2	4.5	6.9	16	1.2	8	11	27	19	HF - 7255	7.9	16	35	HFI - 7933

COPPER PIN TYPE CABLE TERMINAL ENDS



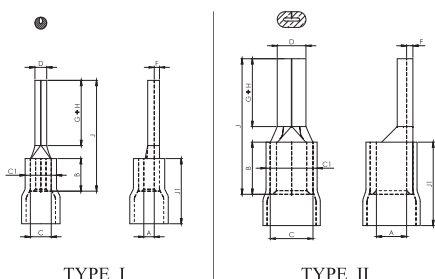
TYPE I

TYPE II

Cable mm ²	Dimensions in mm ± 3%							TYPE	Product Code
	A	C	D	F	B	G+H	J		
1.5	1.6	3.2	1.9	0.8	5	10	17	I	HP - 9
2.5	2.3	3.9	1.9	0.8	5	10	17	I	HP - 1
4	2.9	4.9	2.7	1	6	10	20	I	HP - 3
6	3.6	5.6	2.7	1	6	10	20	I	HP - 5
6	4	6	2.7	1	6	10	20	I	HP - 6
10	4.5	6.5	4.3	1	8	12	22	II	HP - 7
16	5.8	8.2	5.5	1.2	10	13	26	II	HP - 8
25	8.1	11.1	7.2	1.5	11	15	33	II	HP - 10
35	9	12.6	8.2	1.8	12	15	33	II	HP - 11
50	10.5	14.1	9	1.8	16	19	41	II	HP - 12
70	12	16	10	2	16	22	46	II	HP - 13
95	13.5	18.1	10	2.3	20	23	51	II	HP - 14

COPPER INSULATED PIN TYPE CABLE TERMINAL ENDS

COLOUR CODING OF INSULATION SLEEVE 1.5 - RED, 2.5 - BLUE, 4 - 6 - YELLOW

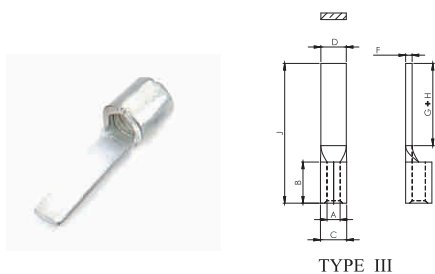


TYPE I

TYPE II

Cable mm ²	Dimensions in mm ± 3%									TYPE	Product Code
	A	C	D	F	B	G+H	J	C 1	J 1		
1.5	1.6	3.2	1.9	0.8	5	10	17	4.8	10	I	HPI - 17
2.5	2.3	3.9	1.9	0.8	5	10	17	5.5	10	I	HPI - 18
4	2.9	4.9	2.7	1	6	10	20	7.1	14	I	HPI - 20
6	3.6	5.6	2.7	1	6	10	20	7.1	14	I	HPI - 22
6	4	6	2.7	1	6	10	20	7.9	14	I	HPI - 23
10	4.5	6.5	4.3	1	8	12	22	7.9	16	II	HPI - 24
16	5.8	8.2	5.5	1.2	10	13	26	10	20	II	HPI - 25

COPPER BLADE TYPE CABLE TERMINAL ENDS

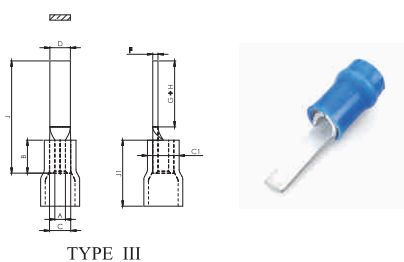


TYPE III

Cable mm ²	Dimensions in mm ± 3%							Product Code
	A	C	D	F	B	G+H	J	
1.5	1.6	3.2	3.1	0.8	5	10	17	HP - 35
2.5	2.3	3.9	3.1	0.8	5	10	17	HP - 2
4 - 6	3.6	5.6	5.1	1	6	10	20	HP - 4
6	4	6	5.7	1	6.4	12.4	20	HP - 15

COPPER INSULATED BLADE TYPE CABLE TERMINAL ENDS

COLOUR CODING OF INSULATION SLEEVE 1.5 - RED, 2.5 - BLUE, 4 - 6 - YELLOW



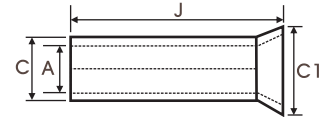
TYPE III

Cable mm ²	Dimensions in mm ± 3%									Product Code
	A	C	D	F	B	G+H	J	C 1	J 1	
1.5	1.6	3.2	3.1	0.8	5	10	17	4.8	10	HPI - 40
2.5	2.3	3.9	3.1	0.8	5	10	17	5.5	10	HPI - 19
4	3.6	5.6	5.1	1	6	10	20	7.1	14	HPI - 21

COPPER END SEALING FERRULES

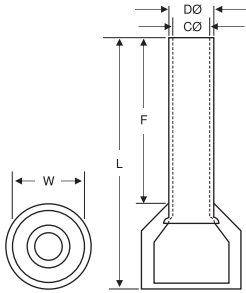
MATERIAL : E - COPPER • FINISH : ELECTRO TINNED

Cable mm ²	Dimensions in mm ± 3%				Product Code
	A	C	C 1	J	
0.5	1	1.4	2.1	6	HSF - 508
0.75	1.4	1.8	2.5	6	HSF - 509
1	1.6	2	2.7	6	HSF - 510
	1.6	2	2.7	10	HSF - 511
1.5	1.8	2.2	2.9	7	HSF - 512
	1.8	2.2	2.9	10	HSF - 513
2.5	2.3	2.7	2.9	7	HSF - 514
	2.3	2.7	3.5	12	HSF - 515
4	2.8	3.2	4	9	HSF - 516
	2.8	3.2	4	12	HSF - 517
6	3.7	4.1	4.8	10	HSF - 518
	3.7	4.1	4.8	12	HSF - 519
	3.7	4.1	4.8	15	HSF - 520
10	4.6	5	5.8	12	HSF - 521
	4.6	5	5.8	15	HSF - 522
	4.6	5	5.8	18	HSF - 523
16	5.9	6.3	7.5	12	HSF - 524
	5.9	6.3	7.5	15	HSF - 525
	5.9	6.3	7.5	18	HSF - 526
25	6.7	7.2	9	12	HSF - 527
	7.3	7.9	9.5	12	HSF - 528
	7.3	7.9	9.5	15	HSF - 529
	7.3	7.9	9.5	18	HSF - 530
	7.3	7.9	9.5	20	HSF - 531
35	8.3	8.9	11	15	HSF - 532
	8.3	8.9	11	18	HSF - 533
	8.3	8.9	11	20	HSF - 534
	8.3	8.9	11	25	HSF - 535
50	10.3	10.9	13	18	HSF - 536
	10.3	10.9	13	22	HSF - 537
	10.3	10.9	13	25	HSF - 538
	10.3	10.9	13	30	HSF - 539
70	12.5	13.3	15	22	HSF - 540
	12.5	13.3	15	25	HSF - 541
	12.5	13.3	15	30	HSF - 542
95	14.5	15.3	17	25	HSF - 543
	14.5	15.3	17	30	HSF - 544
	14.5	15.3	17	32	HSF - 545
120	16.5	17.5	19	30	HSF - 546
	16.5	17.5	19	32	HSF - 547
	16.5	17.5	19	34	HSF - 548



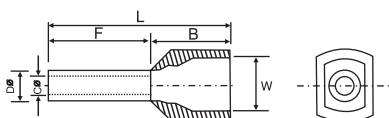
INSULATED END-SEALING FERRULES

MATERIAL : E - COPPER • FINISH : ELECTRO TINNED



Cable mm ²	Colour of Insulation	Dimensions in mm ± 3%					Product Code
		F	L	W	DØ	CØ	
0.5	White	6.0	12.0	2.6	1.3	1.0	HE -0506
		8.0	14.0				HE -0508
		10.0	16.4				HE -0510
		12.0	18.4				HE -0512
0.75	Blue	6.0	12.4	2.8	1.5	1.2	HE -7506
		8.0	14.4				HE -7508
		10.0	16.4				HE -7510
		12.0	18.4				HE -7512
1.0	Red	6.0	12.0	3.0	1.7	1.4	HE -1006
		8.0	14.0				HE -1008
		10.0	16.0				HE -1010
		12.0	18.0				HE -1012
1.5	Black	8.0	14.6	3.5	2.0	1.7	HE -1508
		10.0	16.4				HE -1510
		12.0	18.4				HE -1512
		18.0	24.4				HE -1518
2.5	Grey	8.0	15.2	4.0	2.6	2.3	HE -2508
		10.0	17.2				HE -2510
		12.0	19.2				HE -2512
		18.0	25.2				HE -2518
4.0	Orange	9.0	16.5	4.4	3.2	2.8	HE -4009
		12.0	19.5				HE -4012
		18.0	25.5				HE -4018
6.0	Green	10.0	18.0	6.3	3.9	3.5	HE -6010
		12.0	20.0				HE -6012
		18.0	26.0				HE -6018
10.0	Brown	12.0	21.5	7.6	4.9	4.5	HE -10-12
		18.0	27.5				HE -10-18
16.0	White	12.0	22.2	8.8	6.2	5.8	HE -16-12
		18.0	28.2				HE -16-18
25.0	Brown	16.0	29.0	11.2	7.9	7.5	HE -25-16
		22.0	35.0				HE -25-22
35.0	White	16.0	30.0	12.7	8.7	8.3	HE -35-16
		25.0	39.0				HE -35-25
50.0	Olive	20.0	36.0	15.3	10.9	10.3	HE -50-20
		25.0	41.0				HE -50-25

TWIN END SEALING FERRULES



Colour of Insulation	Cable mm ²	Dimensions in mm ± 3%						Product Code
		F	L	W	B	D	C	
White	2 x 0.50	8.0	14.5	5.0	6.5	1.8	1.5	HTSFI - 0508
	2 x 0.75	8.0	14.7	5.5	6.7	2.1	1.8	HTSFI - 7508
Grey	2 x 0.75	10.0	16.7	5.5	7.1	2.3	2.0	HTSFI - 7510
	2 x 1.00	8.0	15.1	5.5	7.1	2.3	2.0	HTSFI - 1008
	2 x 1.00	10.0	17.1	5.5	7.2	2.6	2.3	HTSFI - 1010
	2 x 1.50	8.0	15.5	6.4	7.5	2.6	2.3	HTSFI - 1508
	2 x 1.50	12.0	19.5	6.4	8.5	3.3	2.9	HTSFI - 1512
	2 x 2.50	10.0	18.5	8.0	8.5	3.3	2.9	HTSFI - 2510
Blue	2 x 2.50	13.0	21.5	8.0	5.0	5.0	5.0	HTSFI - 2513
Grey	2 x 4.00	12.0	23.1	8.8	11.1	4.2	3.8	HTSFI - 4012
Yellow	2 x 6.00	14.0	26.1	9.5	12.1	5.3	4.9	HTSFI - 6014
Red	2 x 10.00	14.0	27.0	13.0	12.0	7.0	7.0	HTSFI - 10-14
Blue	2 x 16.00	14.0	31.3	19.0	17.0	8.7	8.3	HTSFI - 16-14

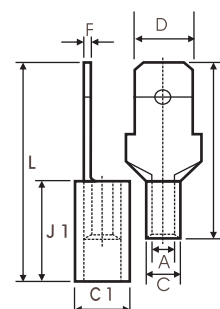
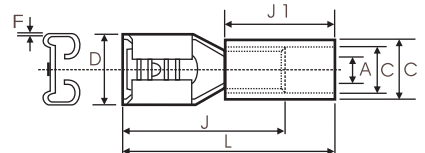
SNAP ON TERMINALS

MATERIAL : E - COPPER • FINISH : ELECTRO TINNED

COLOUR CODING OF INSULATION SLEEVE 1.5 - RED, 2.5 - BLUE, 4 - 6 - YELLOW

Cable mm ²	Dimensions in mm \pm 3%								Product Code
	D	J	A	C	F	J1	L	C1	
1.5	6.6	16	2.4	3.2	0.4	-	-	-	HSP - 8351
1.5	6.6	16	2.4	3.2	0.4	10	21	4.8	HSP - 8351 (I)
2.5	6.6	16	3.1	3.9	0.4	-	-	-	HSP - 8349
2.5	6.6	16	3.1	3.9	0.4	10	21	5.5	HSP - 8349 (I)
4-6	6.6	19	3.8	5.5	0.8	-	-	-	HSP - 8451
4-6	6.6	19	3.8	5.5	0.8	14	26	7.1	HSP - 8451 (I)

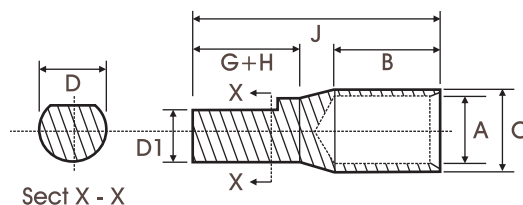
Cable mm ²	Dimensions in mm \pm 3%								Product Code
	D	J	A	C	F	J1	L	C1	
1.5	6.4	20	1.6	3.2	0.8	-	-	-	HSP - 8362
1.5	6.4	20	1.6	3.2	0.8	10	23	4.8	HSP - 8362 (I)
2.5	6.4	20	2.3	3.9	0.8	-	-	-	HSP - 8363
2.5	6.4	20	2.3	3.9	0.8	10	23	5.5	HSP - 8363 (I)
4-6	6.4	20	3.8	5.5	0.8	-	-	-	HSP - 8463
4-6	6.4	20	3.8	5.5	0.8	14	25	7.1	HSP - 8463 (I)



COPPER REDUCER PIN TYPE TERMINAL ENDS

MATERIAL : E - COPPER • FINISH : ELECTRO TINNED

Cable mm ²	Dimensions in mm \pm 3%							Product Code
	A	C	D	D1	B	G+H	J	
2.5	2.5	4.7	3.8	3.3	6	10	20	HPC - 7
4	2.8	4.7	3.8	3.3	6	10	20	HPC - 16
6	3.1	4.7	3.8	3.3	6	10	20	HPC - 18
10	3.8	5.5	3.8	3.3	9	10	23	HPC - 20
16	5.3	7.1	3.8	3.3	12	13	30	HPC - 2
25	7	9	6	5.5	12	15	32	HPC - 25
25	7	9	7.5	6.5	12	20	37	HPC - 3
35	8	10	7.5	6.5	12	20	37	HPC - 4
50	9.2	11.2	7.5	6.5	16	20	41	HPC - 26
70	11.5	13.8	7.5	6.5	18	20	43	HPC - 27
70	11.5	13.8	11.5	10.5	18	25	48	HPC - 6
70	11.5	13.8	11.5	10.5	18	32	55	HPC - 28
95	12.8	15.6	11.5	10.5	20	25	51	HPC - 29
95	12.8	15.6	7.5	6.5	20	22	48	HPC - 31
95	12.8	15.6	15.6	14	20	27	53	HPC - 8
120	14.8	17.8	11.5	10.5	22	25	53	HPC - 32
120	14.8	17.8	7.5	6.5	22	22	50	HPC - 34
120	14.8	17.8	11.5	10.5	22	32	60	HPC - 35
150	16	19.6	11.5	10.5	26	32	64	HPC - 37
185	18	22	11.5	10.5	32	32	70	HPC - 38
240	22	26	16	15	38	42	88	HPC - 44
300	24	28.7	16	15	42	42	92	HPC - 45
400	28	33.2	15.6	14	46	32	90	HPC - 48



LINE TAPS / SPLIT BOLTS

MATERIAL : BRASS • FINISH : NATURAL

'HEX' manufactures a vast range of line taps to meet the materials and dimensional specifications laid by different international standards. Brass line taps are made with high tensile brass as per BS 2874 - CZ 112. Threads are formed by rolling process giving the nut extra clamping force. Pressure pads are made from extruded bars (not cast), preventing the pads from cracking Brass line taps are manufactured in passivated natural brass with electro tinned finish. They are also supplied in high conductivity copper.

Size	J	C	B a/f	D a/f	F	Product Code
6 mm ²	24.00	3.20	10.00	12.70	6.50	HSBC - 6
10 mm ²	27.30	5.50	12.70	19.00	5.60	HSBC - 10
16 mm ²	27.30	5.50	12.70	19.00	5.60	HSBC - 16
25 mm ²	28.90	6.90	15.00	19.00	5.60	HSBC - 25
35 mm ²	34.80	8.10	18.00	24.00	7.10	HSBC - 35
50 mm ²	42.00	9.60	23.00	27.30	9.40	HSBC - 50
70 mm ²	47.50	11.17	23.00	30.00	9.40	HSBC - 70
95 mm ²	53.00	14.00	25.40	34.30	9.40	HSBC - 95
120 mm ²	59.00	16.00	30.00	35.55	12.20	HSBC - 120
150 mm ²	59.00	16.00	30.00	35.55	12.20	HSBC - 150
185 mm ²	59.00	18.00	32.00	38.10	12.20	HSBC - 185
240 mm ²	76.20	22.20	39.00	48.25	14.60	HSBC - 240
300 mm ²	76.20	23.00	39.00	48.25	14.60	HSBC - 300
400 mm ²	76.50	26.00	48.00	56.00	16.00	HSBC - 400
500 mm ²	80.00	30.00	55.00	65.00	16.00	HSBC - 500

* Add 'T' for Tinned Finish & 'C' for Copper Finish after Product Code.

SPLIT BOLT CONNECTOR WITH ROUND HEAD

HEX has a complete range of split bolts that are used for joining aerial hard drawn copper conductors or insulated copper conductors. The split bolts are made from a high conductivity copper alloy with captive saddle which applies a distributed pressure to conductors. The round head is machined to accommodate standard spanner sizes. They can be supplied in natural copper alloy or electro tinned.

Technical Data :

Conductive Material

Copper alloy

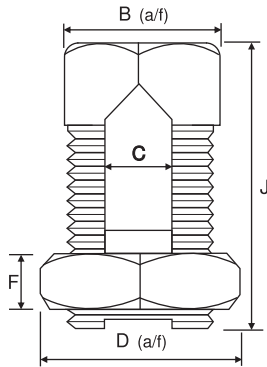
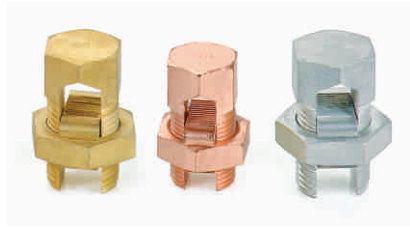
Operating Temperature

-55°C to 100°C

Electroplating Material

Tin 99.7% pure

Natural Brass	Electro Tinned	Max Cond. Size (mm ²)	Slot Width mm ²
HSBC12	HSBC12T	25	6.6
HSBC22	HSBC22T	16	5.3
HSBC24	HSBC24T	35	8.3
HSBC25	HSBC25T	70	10.9
HSBC26	HSBC26T	95	12.9
HSBC28	HSBC28T	185	18.5



* TINNED COPPER FLEXIBLE BRAIDS -

CRIMPED with CONNECTORS / TERMINALS (LUGS)

MATERIAL : E - COPPER • FINISH : ELECTRO TINNED

Cable mm ²	Dimensions in mm		Current Rating AMP	Product Code Crimped with lugs	Product Code Crimped with connector
	J	E			
4	50	6	50	HFT4 - 50 - 50	HFC4 50 - 50
	100	6	50	HFT4 - 100 - 50	HFC4 100 - 50
	150	6	50	HFT4 - 150 - 50	HFC4 150 - 50
	200	6	50	HFT4 - 200 - 50	HFC4 200 - 50
10	50	6	90	HFT10 - 50 - 90	HFC10 50 - 90
	100	6	90	HFT10 - 100 - 90	HFC10 100 - 90
	150	6	90	HFT10 - 150 - 90	HFC10 150 - 90
	200	6	90	HFT10 - 200 - 90	HFC10 200 - 90
16	100	8.5	125	HFT16 - 100 - 125	HFC16 100 - 125
	150	8.5	125	HFT16 - 150 - 125	HFC16 150 - 125
	200	8.5	125	HFT16 - 200 - 125	HFC16 200 - 125
	250	8.5	125	HFT16 - 250 - 125	HFC16 250 - 125
	300	8.5	125	HFT16 - 300 - 125	HFC16 300 - 125
	350	8.5	125	HFT16 - 350 - 125	HFC16 350 - 125
25	100	10	160	HFT25 - 100 - 160	HFC25 100 - 160
	150	10	160	HFT25 - 150 - 160	HFC25 150 - 160
	200	10	160	HFT25 - 200 - 160	HFC25 200 - 160
	250	10	160	HFT25 - 250 - 160	HFC25 250 - 160
	300	10	160	HFT25 - 300 - 160	HFC25 300 - 160
30	100	10	180	HFT30 - 100 - 180	HFC30 100 - 180
	150	10	180	HFT30 - 150 - 180	HFC30 150 - 180
	200	10	180	HFT30 - 200 - 180	HFC30 200 - 180
	250	10	180	HFT30 - 250 - 180	HFC30 250 - 180
	300	10	180	HFT30 - 300 - 180	HFC30 300 - 180
	350	10	180	HFT30 - 350 - 180	HFC30 350 - 180
35	100	10	210	HFT35 - 100 - 210	HFC35 100 - 210
	150	10	210	HFT35 - 150 - 210	HFC35 150 - 210
	200	10	210	HFT35 - 200 - 210	HFC35 200 - 210
	250	10	210	HFT35 - 250 - 210	HFC35 250 - 210
	300	10	210	HFT35 - 300 - 210	HFC35 300 - 210
50	100	12	250	HFT50 - 100 - 250	HFC50 100 - 250
	150	12	250	HFT50 - 150 - 250	HFC50 150 - 250
	200	12	250	HFT50 - 200 - 250	HFC50 200 - 250
	250	12	250	HFT50 - 250 - 250	HFC50 250 - 250
	300	12	250	HFT50 - 300 - 250	HFC50 300 - 250

Also available with other hole sizes, current rating, lengths etc. as per customer specifications.

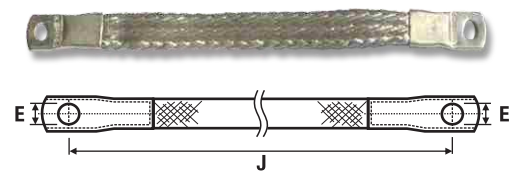
INSULATED SCREW CONNECTORS

Body : PVC Connections : Brass Voltage : 240/415V Amperage : 32A

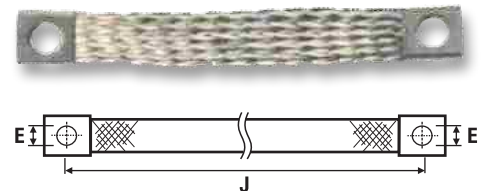
Insulated screw connectors accommodate a maximum of 2 x 6 mm² cables, and are made in one and two screw formats, the two screw being for the earth.

- They have a clear plastic housing so that the termination can be visually checked
- Nominal 32A rating, dependant on conductor loading
- Rated for normal 240/415V applications
- Connectors are supplied in handy, screw top jars

Catalogue No.	Description Conductor
HSCS1	Single Screw Connector 32A
HSCS2	Double Screw Connector 32A



HFT- crimped with lugs

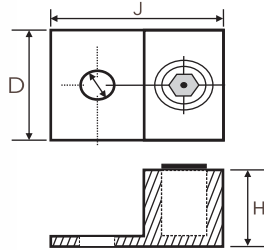


HFC- crimped with connectors

* T. C. BRAID DIMENSIONS

Size mm ²	Width in mm	Thickness in mm
4	8	1
10	12	2
16	15	2
25	25	2
30	25	2.5
35	25	3
50	30	3



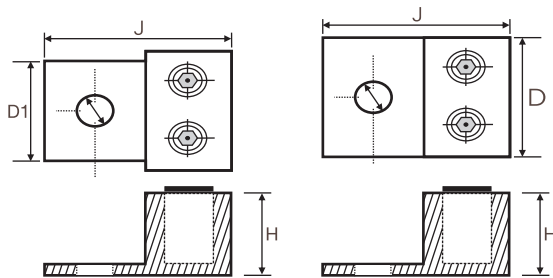


ALUMINIUM SINGLE BARREL CONNECTOR, ONE HOLE MOUNT

MATERIAL : ALUMINUM • FINISH : ELECTRO TINNED

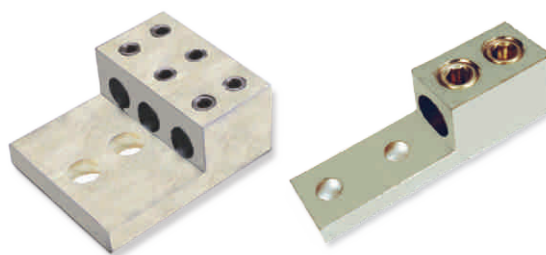
Wire Size	Dimensions			Screw		Product Code
	J	H	D	Size	Type	
#6-14	1.16	0.56	0.5	1/4"	Slotted	HLA - 6
#4-14	1.16	0.56	0.5	1/4"	Slotted	HLA - 4
#2-14	1.16	0.56	0.5	1/4"	Slotted	HLA - 2
#1/0-14	1.48	0.80	0.63	5/16"	Slotted	HLA - 10
#2/0-14	1.48	0.80	0.63	1/4"	3/16 HEX	HLA - 20
250-6	2	1.12	1	5/16"	5/16 HEX	HLA - 250
300-6	2	1.25	1.13	5/16"	5/16 HEX	HLA - 300
350-6	2.26	1.25	1.13	3/8"	5/16 Hex	HLA - 350
500-4	2.8	1.6	1.5	3/8"	1/2 HEX	HLA - 500
600-2	3.13	1.56	1.5	3/8"	1/2 HEX	HLA - 600
800-300	3.4	1.93	1.75	3/8"	3/8 HEX	HLA - 800
1000-500	3.4	1.93	1.75	5/8"	3/8 HEX	HLA - 1000

ALUMINIUM DOUBLE BARREL CONNECTOR, ONE HOLE MOUNT



MATERIAL : ALUMINUM • FINISH : ELECTRO TINNED

Wire Size	Dimensions				Screw		Product Code
	H	J	D	D1	Size	Type	
1/0-14	0.8	1.5	0.63	-	1/4"unf	Slotted	HL2A-10
2/0-14	0.8	1.5	0.63	-	1/4"unf	Slotted	HL2A-20
250-6	1.1	2.0	1.65	1.5	3/8"unf	HEX	HL2A-250
350-6	1.2	2.3	1.94	1.8	1/2"unf	HEX	HL2A-350
500-6	1.6	3.1	2.37	2.0	1/2"unf	HEX	HL2A-500
600-2	1.6	3.1	2.37	2.0	1/2"unf	HEX	HL2A-600
800-300	1.9	3.4	3.5	-	1/2"unf	HEX	HL2A-800
1000-500	1.9	3.4	3.5	-	1/2"unf	HEX	HL2A-1000

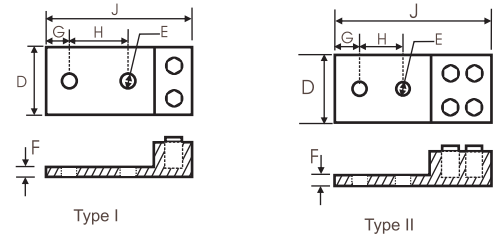


Other types and sizes of Aluminium Mechanical lugs like 2 Hole Palm - 2 Hole Screw, 3 Hole Palm - 2 Hole Screw, 3 Hole Palm - 3 Hole Screw etc. can be made on demand and/or customers specifications.

ALUMINIUM DOUBLE BARREL CONNECTOR, TWO HOLE MOUNT

MATERIAL : ALUMINIUM • FINISH : ELECTRO TINNED

Conductor Range		Stud Hole	Dimensions in mm						Product Code
Max.	Min.		J	D	F	G	H	TYPE	
350 KCMIL	6 STR	1/2	104.65 (4.12)	48.51 (1.91)	7.87 (0.31)	15.75 (0.62)	44.45 (1.75)	I	HL2LA 350
600 KCMIL	4 STR	1/2	141.73 (5.58)	60.96 (2.40)	11.17 (0.44)	15.75 (0.62)	44.45 (1.75)	II	HL2LA 600
800 KCMIL	350 KCMIL	1/2	147.82 (5.82)	81.03 (3.19)	12.70 (0.50)	15.75 (0.62)	44.45 (1.75)	II	HL2LA 800



COPPER ONE HOLE OFFSET TONGUE TERMINAL ENDS / CONNECTORS



Steel Screws : Zinc Plated

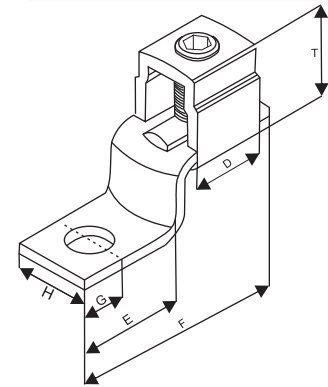
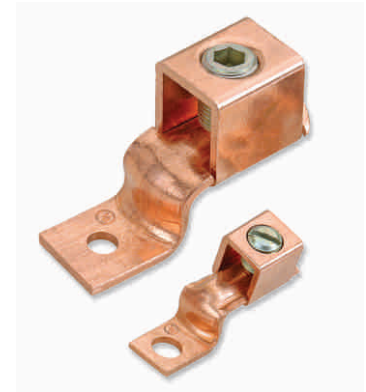
Copper Wire Range (AWG)	Screw Size	Screw Type	Dimensions in mm						Product Code
			F	E	D	G	H	T	
#14 - #10	48 A	SCREW-1	26	12	7	5.3	7.95	9.5	HUL-25
#14 - #6	1/4" UNF	SCREW-2	31.5	15	11	5.6	10	12.3	HUL-35
#8 - #2	5/16" UNF	SCREW-2	39.5	20.5	12.7	6.35	12	16.3	HUL-70
#6 - #1/0	3/8" UNF	SCREW-2	50.18	26.16	15.35	10.63	15.93	23.05	HUL-125
#4 - #3/0	3/8" UNF	SCREW-3	55.67	29.85	18.17	10.87	19.17	26.36	HUL-175
#2 - #4/0	7/16" UNF	SCREW-3	64.86	33.57	23.94	12.78	25.25	29.68	HUL-225
#1/0 - 350	5/8" UNF	SCREW-3	71.68	33.55	30.85	12.97	25.25	35.65	HUL-300
#1/0 - 500	5/8" UNF	SCREW-3	103.78	56.28	36.15	22.95	38.05	40.75	HUL-400
600 - 1000	3/4" UNF	SCREW-3	122.75	60.87	47.15	28.37	49.86	59.05	HUL-650

* UL under process

* UL Listed Products

- (A) - UL Listed wire combinations: (2) #10, (2) # 12, (2) # 14, (1) # 12 and (1) # 14, (1) # 10 and (1) # 12
 (B) - UL Listed wire combinations: (1) # 8 and (1) # 4, (1) # 8 and (1) # 6 (2) # 4, (3) # 8, (3) # 6, (2) 8 and (1) # 4, (2) # 8 and (1) # 6, (1) # 6 and (1) # 4, (2) # 6

Tolerance : as per UL FUS.



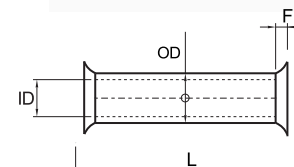
BUTT CONNECTOR



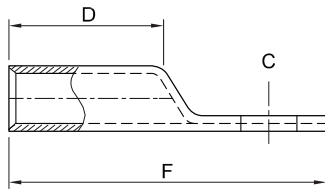
MATERIAL : E-COPPER • FINISH : COPPER

Wire Size	Dimensions in mm				Product Code
	ID	OD	L	F	
8	4.72	6.35	27.94	2.54	HBC - T8
6	5.89	7.92	29.21	2.54	HBC - T6
4	7.14	9.04	30.99	2.54	HBC - T3
2	8.43	10.67	34.04	2.54	HBC - T2
1	8.94	11.18	34.04	2.54	HBC - T1
1/0	10.19	12.65	39.62	2.54	HBC - T11
2/0	11.58	14.22	45.97	2.54	HBC - T12
3/0	12.93	15.62	48.26	2.54	HBC - T13
4/0	14.94	17.63	62.48	2.54	HBC - T14

Tolerance : as per UL FUS.



COPPER COMPRESSION LUGS - SHORT BARREL



Wire Size	Colour Code	Bolt Size	Dimensions in Inch		Product Code
			D	F	
8	RED	#10	0.512	1.220	HCRA-A-8
6	BLUE	#10	0.812	1.500	HCRA-A-6
6	BLUE	1/4"	0.812	1.500	HCRA-A-6
4	GRAY	#10	0.812	1.500	HCRA-A-4
4	GRAY	5/16"	0.812	1.500	HCRA-A-4-516
4	GRAY	1/4"	0.812	1.500	HCRA-A-4
3	WHITE	1/4"	0.812	1.500	HCRA-A-3
2	BROWN	1/4"	0.875	1.812	HCRA-A-2
2	BROWN	5/16"	0.875	1.844	HCRA-A-2
2	BROWN	3/8"	0.875	1.844	HCRA-A-2
1	GREEN	5/16"	0.875	1.875	HCRA-A-1
1	GREEN	1/4"	0.875	1.875	HCRA-A-1-14
1	GREEN	3/8"	0.875	1.875	HCRA-A-1-38
1/0	PINK	5/16"	0.875	1.875	HCRA-A-0
1/0	PINK	1/4"	0.875	1.875	HCRA-A-0-14
1/0	PINK	3/8"	0.875	1.875	HCRA-A-0
2/0	BLACK	3/8"	0.937	2.093	HCRA-A-2/0
2/0	BLACK	1/4"	0.937	2.093	HCRA-A-2/0-14
2/0	BLACK	5/16"	0.937	2.093	HCRA-A-2/0
3/0	ORANGE	3/8"	1.000	2.313	HCRA-A-3/0
3/0	ORANGE	1/4"	1.000	2.313	HCRA-A-3/0-14
3/0	ORANGE	1/2"	1.000	2.313	HCRA-A-3/0
3/0	ORANGE	5/16"	1.000	2.313	HCRA-A-3/0
4/0	PURPLE	3/8"	1.000	2.344	HCRA-A-4/0
4/0	PURPLE	1/4"	1.000	2.344	HCRA-A-4/0-14
4/0	PURPLE	1/2"	1.000	2.344	HCRA-A-4/0
4/0	PURPLE	5/16"	1.000	2.313	HCRA-A-4/0
250MCM	YELLOW	1/2"	1.063	2.625	HCRA-A-250
250MCM	YELLOW	3/8"	1.063	2.625	HCRA-A-250-38
300MCM	WHITE	1/2"	1.063	2.625	HCRA-A-300
300MCM	WHITE	3/8"	1.063	2.625	HCRA-A-300-38
300MCM	WHITE	5/16"	1.063	2.625	HCRA-A-300-516
300MCM	WHITE	5/8"	1.063	2.625	HCRA-A-300-58
350MCM	RED	1/2"	1.125	2.913	HCRA-A-350
400MCM	BLUE	5/8"	1.188	3.313	HCRA-A-400
400MCM	BLUE	1/2"	1.188	3.313	HCRA-A-400-12
500MCM	BROWN	5/8"	1.375	3.500	HCRA-A-500
500MCM	BROWN	1/2"	1.375	3.500	HCRA-A-500-12
600MCM	GREEN	5/8"	1.654	3.996	HCRA-A-600
600MCM	GREEN	1/2"	1.654	3.996	HCRA-A-600-12
*700MCM	PINK	5/8	1-3/8	3-31/32	*HCRA-700
*750MCM	BLACK	5/8	1-5/8	4-11/32	*HCRA-750
*1000MCM	WHITE	5/8	1-7/8	4-7/8	*HCRA-1000

*Wire Size 700MCM, 750MCM & 1000MCM UL under process.

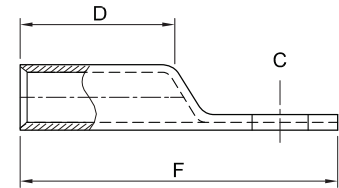
Tolerance : as per UL FUS.

COPPER COMPRESSION LUGS - LONG BARREL



Wire Size	Colour	Bolt Size	Dimensions in Inches		Product Code
			D	F	
8	RED	-	0.787	1.520	HCRB-A-8L
6	BLUE	1/4"	0.925	1.813	HCRB-A-6L
4	GRAY	1/4"	0.984	1.813	HCRB-A-4L
4	GRAY	5/16"	0.984	1.813	HCRB-A-4L-516
3	WHITE	1/4"	1.063	2.008	HCRA-A-3L
2	BROWN	5/16"	1.102	2.047	HCRB-A-2L
2	BROWN	1/4"	1.339	2.717	HCRB-A-2L-14
2	BROWN	3/8"	1.339	2.717	HCRB-A-2L-38
1	GREEN	5/16"	1.142	2.087	HCRA-A-1L
1/0	PINK	5/16"	1.339	2.717	HCRA-A-1/0L
2/0	BLACK	3/8"	1.260	2.656	HCRA-A-2/0L
3/0	ORANGE	1/2"	1.299	2.906	HCRB-A-3/0L
4/0	PURPLE	1/2"	1.535	2.969	HCRB-A-4/0L
250 MCM	YELLOW	1/2"	1.575	3.188	HCRA-A-250L
300 MCM	WHITE	1/2"	1.811	3.563	HCRA-A-300L
350 MCM	RED	1/2"	2.008	3.563	HCRA-A-350L
400 MCM	BLUE	5/8"	1.850	3.740	HCRA-A-400L
500 MCM	BROWN	5/8"	2.244	4.375	HCRA-A-500L
600 MCM	GREEN	5/8"	2.362	4.646	HCRA-A-600L
*750 MCM	BLACK	0.625	2-7/8	5-15/32	*HCRA-750L
*1000 MCM	WHITE	0.625	3	6.0	*HCRA-1000L

*Wire Size 750MCM & 1000MCM UL under process
Tolerance : as per UL FUS.

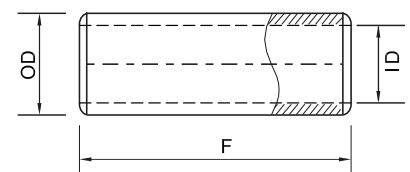


COPPER COMPRESSION SLEEVES - SHORT BARREL

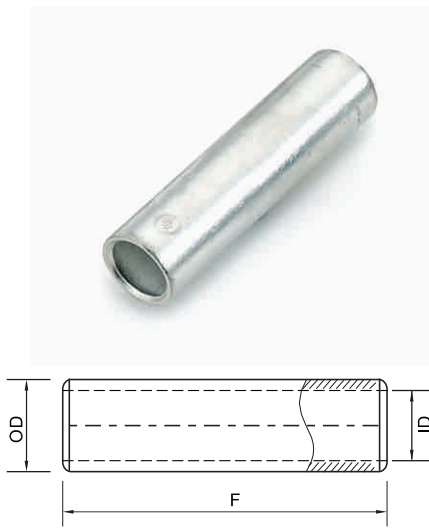


Wire Size	Colour	Dimensions in Inches			Product Code
		F	OD	ID	
8	RED	1.125	0.281	0.172	HCT-8
6	BLUE	1.75	0.297	0.203	HCT-6
4	GRAY	1.875	0.344	0.25	HCT-4
3	WHITE	1.75	0.375	0.281	HCT-3
2	BROWN	1.875	0.422	0.313	HCT-2
1	GREEN	1.875	0.469	0.359	HCT-1
1/0	PINK	1.875	0.516	0.391	HCT-1/0
2/0	BLACK	2	0.563	0.428	HCT-2/0
3/0	ORANGE	2.125	0.609	0.484	HCT-3/0
4/0	PURPLE	2.125	0.688	0.547	HCT-4/0
300MCM	WHITE	2.25	0.813	0.656	HCT-300
350MCM	RED	2.375	0.875	0.688	HCT-350
400MCM	BLUE	2.5	0.938	0.75	HCT-400
500MCM	BROWN	2.875	1.063	0.828	HCT-500
600MCM	GREEN	2.875	1.188	0.922	HCT-600

Tolerance : as per UL FUS.



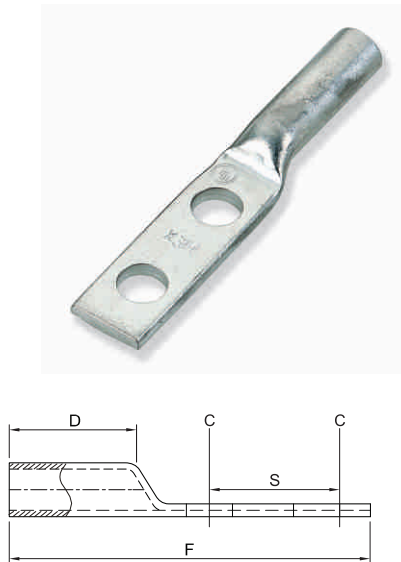
COPPER COMPRESSION SLEEVES - LONG BARREL



Wire Size	Colour	Dimensions in Inches			Product Code
		F	OD	ID	
8	RED	1.75	0.281	0.172	HCTL-8
6	BLUE	2.38	0.297	0.203	HCTL-6
4	GRAY	2.38	0.344	0.250	HCTL-4
3	WHITE	2.38	0.375	0.281	HCTL-3
2	BROWN	2.63	0.422	0.312	HCTL-2
1	GREEN	2.88	0.469	0.359	HCTL-1
1/0	PINK	2.88	0.516	0.391	HCTL-1/0
2/0	BLACK	3.13	0.562	0.438	HCTL-2/0
3/0	ORANGE	3.13	0.609	0.484	HCTL-3/0
4/0	PURPLE	3.38	0.687	0.547	HCTL-4/0
300 MCM	WHITE	4.13	0.813	0.656	HCTL-300
400 MCM	BLUE	4.38	0.937	0.750	HCTL-400
500 MCM	BROWN	4.63	1.063	0.828	HCTL-500
600 MCM	GREEN	4.63	1.188	0.922	HCTL-600

Tolerance : as per UL FUS.

COPPER COMPRESSION LUGS - LONG BARREL, 2 HOLES



Wire Size	Colour Code	Bolt Size	Dimensions in Inches		Product Code
			D	F	
2	BROWN	5/16" (2)	1.181	3.000	HCRB-A-2L2
2	BROWN	1/2" (2)	1.330	4.810	HCRA-A-2L2
2	BROWN	#10 (2)	1.181	3.310	HCRA-A-2L2-10-34
2	BROWN	1/4" (2)	1.181	3.310	HCRA-A-2L2-14-58
2	BROWN	1/4" (2)	1.181	3.310	HCRA-A-2L2-14-34
2	BROWN	1/4" (2)	1.181	3.310	HCRA-A-2L2-14-1
2	BROWN	5/16" (2)	1.181	3.310	HCRA-A-2L2-516-58
2	BROWN	5/16" (2)	1.181	3.310	HCRB-A-2L2-516-34
2	BROWN	5/16" (2)	1.181	3.310	HCRA-A-2L2-516-1
2	BROWN	3/8" (2)	1.181	3.310	HCRA-A-2L2-38-58
2	BROWN	3/8" (2)	1.181	3.310	HCRA-A-2L2-38-34
2	BROWN	3/8" (2)	1.181	3.310	HCRA-A-2L2-28-78
2	BROWN	3/8" (2)	1.181	3.310	HCRA-A-2L2-38-1
2	BROWN	3/8" (2)	1.339	4.500	HCRB-A-2L2-12-134
1	GREEN	1/2" (2)	1.299	3.440	HCRA-A-1L2
1	GREEN	5/16" (2)	1.299	3.440	HCRA-A-1L2-14-58
1	GREEN	1/2" (2)	1.358	4.750	HCRA-A-1L2
1/0	PINK	5/16" (2)	1.181	3.440	HCRA-A-1/0L2
1/0	PINK	1/2" (2)	1.496	4.910	HCRA-A-1/0L2
8	RED	#10 (2)	0.866	2.190	HCRB-A-8L2
8	RED	1/4" (2)	0.866	2.190	HCRB-A-8L2

Tolerance : as per UL FUS.

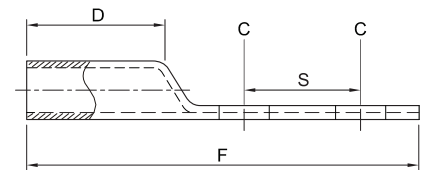
COPPER COMPRESSION LUGS - LONG BARREL, 2 HOLES



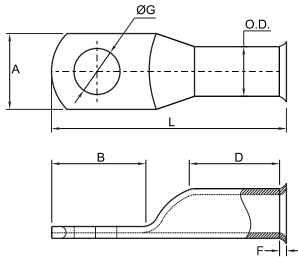
Wire Size	Colour Code	Bolt Size	Dimensions in Inch		Product Code
			D	F	
6	BLUE	1/4" (2)	0.984	2.382	HCRB-A-6L2
6	BLUE	#10 (2)	1.181	3.188	HCRB-A-6L2-10-34
6	BLUE	1/4" (2)	1.181	3.188	HCRB-A-6L2-14-58
6	BLUE	1/4" (2)	1.181	3.188	HCRB-A-6L2-14-34
6	BLUE	1/4" (2)	1.181	3.188	HCRB-A-6L2-14-1
6	BLUE	5/16" (2)	1.181	3.188	HCRB-A-6L2-516-1
6	BLUE	3/8" (2)	1.181	3.188	HCRB-A-6L2-38-34
6	BLUE	3/8" (2)	1.181	3.188	HCRB-A-6L2-38-78
6	BLUE	3/8" (2)	1.181	3.188	HCRB-A-6L2-38-1
4	GRAY	1/4" (2)	1.299	3.035	HCRB-A-4L2
4	GRAY	1/2" (2)	1.181	4.875	HCRB-A-4L2
4	GRAY	#10 (2)	1.181	3.188	HCRA-A-4L2-10-34
4	GRAY	1/4" (2)	1.181	3.188	HCRB-A-4L2-14-58
4	GRAY	1/4" (2)	1.181	3.188	HCRA-A-4L2-14-34
4	GRAY	1/4" (2)	1.181	3.188	HCRA-A-4L2-14-1
4	GRAY	5/16" (2)	1.181	3.188	HCRA-A-4L2-516-58
4	GRAY	5/16" (2)	1.181	3.188	HCRA-A-4L2-516-34
4	GRAY	5/16" (2)	1.181	3.188	HCRA-A-4L2-516-1
4	GRAY	3/8" (2)	1.181	3.188	HCRB-A-4L2-38-34
4	GRAY	3/8" (2)	1.181	3.188	HCRB-A-4L2-38-1
4	GRAY	1/2" (2)	1.181	4.375	HCRB-A-4L2-12-134
3	WHITE	1/4" (2)	1.299	3.035	HCRA-A-3L2
3	WHITE	3/8" (2)	1.299	3.035	HCRA-A-3L2
2/0	BLACK	1/2" (2)	1.142	4.780	HCRA-A-2/0L2
3/0	ORANGE	1/2" (2)	1.475	4.970	HCRB-A-3/0L2
4/0	PURPLE	1/2" (2)	1.299	4.970	HCRB-A-4/0L2
250MCM	YELLOW	1/2" (2)	1.535	5.060	HCRA-A-250L2
250MCM	YELLOW	3/8" (2)	1.535	5.060	HCRA-A-250L2-38-1
250MCM	YELLOW	3/8" (2)	1.535	5.060	HCRA-A-250L2-38-134
300MCM	WHITE	1/2" (2)	1.791	5.440	HCRA-A-300L2
350MCM	RED	1/2" (2)	1.870	5.440	HCRA-A-350L2
400MCM	BLUE	1/2" (2)	2.008	5.750	HCRA-A-400L2
500MCM	BROWN	1/2" (2)	2.126	5.750	HCRA-A-500L2
600MCM	GREEN	1/2" (2)	2.244	6.060	HCRA-A-600L2
*700MCM	PINK	1/2 (2)	2-1/4	6.06	HCRA-700L2
*750MCM	BLACK	1/2 (2)	2-7/8	6.53	HCRA-750L2
*1000MCM	WHITE	1/2 (2)	3	6.53	HCRA-1000L2

*Wire Size 700MCM, 750MCM & 1000MCM UL under process

Tolerance : as per UL FUS.



COPPER STANDARD WALL STARTER TERMINAL ENDS

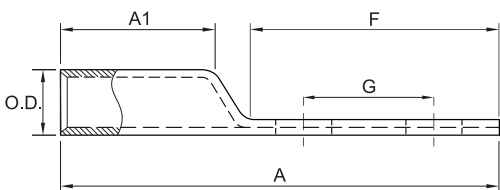


MATERIAL : E - COPPER • FINISH : COPPER

Wire Size	Bolt Size	Dimensions in mm						Product Code
		O.D.	A	B	D	G	L	
8	1/4"	6.35	11.58	17.15	13.97	6.40	36.66	HABL-A-86
8	5/16"	6.35	11.58	17.15	13.97	8.41	36.66	HABL-A-88
8	3/8"	6.35	14.48	17.15	13.97	10.49	36.66	HABL-A-810
8	1/2"	6.35	16.26	20.62	13.97	13.00	42.55	HABL-A-812
6	1/4"	7.92	13.72	17.78	13.97	6.40	37.29	HABL-A-66
6	5/16"	7.92	13.72	17.78	13.97	8.41	37.29	HABL-A-68
6	3/8"	7.92	13.72	17.78	13.97	10.49	37.29	HABL-A-610
6	1/2"	7.92	16.26	20.82	13.97	13.00	42.55	HABL-A-612
4	1/4"	9.04	13.72	20.32	14.73	6.40	40.64	HABL-A-46
4	5/16"	9.04	13.72	20.32	14.73	8.41	40.64	HABL-A-48
4	3/8"	9.04	14.48	20.32	14.73	10.49	40.64	HABL-A-410
4	1/2"	9.04	14.48	20.32	14.73	13.00	40.64	HABL-A-412
2	1/4"	10.67	16.51	19.61	17.02	6.40	43.94	HABL-A-26
2	5/16"	10.67	16.51	19.61	17.02	8.41	43.94	HABL-A-28
2	3/8"	10.67	16.51	19.61	17.02	10.49	43.94	HABL-A-210
2	1/2"	10.67	16.51	19.61	17.02	13.00	43.94	HABL-A-212
1/0	1/4"	12.65	18.59	21.34	19.30	6.40	48.56	HABL-A-106
1/0	5/16"	12.65	18.59	21.34	19.30	8.41	48.56	HABL-A-108
1/0	3/8"	12.65	18.59	21.34	19.30	10.49	48.56	HABL-A-1010
1/0	1/2"	12.65	18.59	21.34	19.30	13.00	48.56	HABL-A-1012
2/0	1/4"	14.22	20.83	24.38	21.59	6.40	55.88	HABL-A-206
2/0	5/16"	14.22	20.83	24.38	21.59	8.41	55.88	HABL-A-208
2/0	3/8"	14.22	20.83	24.38	21.59	10.49	55.88	HABL-A-2010
2/0	1/2"	14.22	20.83	24.38	21.59	13.00	55.88	HABL-A-2012
3/0	3/8"	15.62	22.95	25.04	21.45	6.40	57.15	HABL-A-3010
3/0	1/2"	15.62	22.95	25.04	21.45	13.00	57.15	HABL-A-3012
4/0	3/8"	17.63	26.31	28.40	23.11	10.49	65.29	HABL-A-4010
4/0	1/2"	17.63	26.31	28.40	23.11	13.00	65.29	HABL-A-4012

Tolerance : as per UL FUS.

COPPER COMPRESSION LUGS - SHORT BARREL, 2 HOLES



Wire Size	Bolt Size	Dimensions in Inch					Colour Code	Product Code
		O.D.	A1	A	F	G		
8	#10	0.281	0.440	1.820	1.260	0.630	Red	HS-A-8 L2
6	1/4"	0.297	0.710	2.090	1.260	0.630	Blue	HS-A-6 L2
4	1/4"	0.344	0.710	2.090	1.260	0.630	Gray	HS-A-4 L2
2	5/16"	0.422	0.830	2.620	1.610	0.750	Brown	HS-A-2 L2
1	1/4"	0.469	0.830	2.280	1.260	0.630	Green	HS-A-1 L2
1/0	5/16"	0.517	0.830	2.874	1.810	0.984	Pink	HS-A-1/0 L2
1/0	3/8"	0.517	0.830	2.830	1.810	1.000	Pink	HS-A-1/0-38 L2
2/0	3/8"	0.563	0.940	2.990	1.850	1.000	Black	HS-A-2/0 L2
2/0	1/2"	0.563	0.940	4.170	2.990	1.750	Black	HS-A-2/0-12 L2
3/0	1/2"	0.609	0.984	4.290	2.990	1.750	Orange	HS-A-3/0 L2
4/0	1/2"	0.688	1.142	4.290	3.031	1.750	Purple	HS-A-4/0 L2
4/0	3/8"	0.688	1.142	4.449	3.031	1.752	Purple	HS-A-4/0-38 L2
250 MCM	1/2"	0.750	1.060	4.410	2.990	1.750	Yellow	HS-A-250 L2
300 MCM	1/2"	0.813	1.060	4.410	2.990	1.750	White	HS-A-300 L2
350 MCM	1/2"	0.875	1.100	4.530	2.990	1.750	Red	HS-A-350 L2
400 MCM	1/2"	0.937	1.180	4.690	2.990	1.750	Blue	HS-A-400 L2
500 MCM	1/2"	1.063	1.380	4.880	2.990	1.750	Brown	HS-A-500 L2
600 MCM	3/8"	1.188	1.500	4.960	2.990	1.750	Green	HS-A-600 L2
600 MCM	1/2"	1.188	1.500	5.040	2.990	1.750	Green	HS-A-600-12 L2
*750 MCM	1/2"		1.850	5.510		1.750	Black	HS-A-750 L2

*Wire Size 750MCM UL under process.

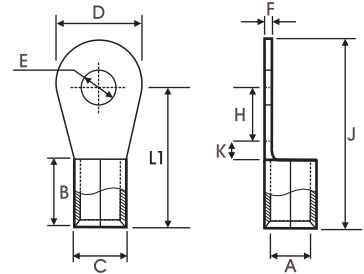
Tolerance : as per UL FUS.

RING TYPE TINNED COPPER CABLE TERMINAL ENDS (NON INSULATED)



MATERIAL : E - COPPER • FINISH : ELECTRO TINNED

Cable mm ²	Stud Hole E	Dimensions in mm									Product Code
		A	C	D	F	B	K	H	L1	J	
1.5	3.2	1.6	3.2	6.8	0.8	5	1.0	3.6	9.6	13	HR 7153
	3.7	1.6	3.2	6.8	0.8	5	1.0	3.6	9.6	13	HR 7048
	4.2	1.6	3.2	6.8	0.8	5	1.0	3.6	9.6	13	HR 7049
	2.2	1.6	3.2	6	0.8	5	2.0	4.0	11	14	HR 7103
	2.6	1.6	3.2	6	0.8	5	2.0	4.0	11	14	HR 7000
	3.2	1.6	3.2	6	0.8	5	2.0	4.0	11	14	HR 7001
	3.7	1.6	3.2	6	0.8	5	2.0	4.0	11	14	HR 7002
	4.2	1.6	3.2	6	0.8	5	2.0	4.0	11	14	HR 7003
	4.2	1.6	3.2	7	0.8	5	1.0	5.0	11	14.5	HR 7154
	3.2	1.6	3.2	8	0.8	5	2.0	5.0	12	16	HR 7104
	4.2	1.6	3.2	8	0.8	5	2.0	5.0	12	16	HR 7004
	5.2	1.6	3.2	8	0.8	5	2.0	5.0	12	16	HR 7005
	4.2	1.6	3.2	10	0.8	5	2.0	6.0	13	18	HR 7105
	5.2	1.6	3.2	10	0.8	5	2.0	6.0	13	18	HR 7006
6.4	1.6	3.2	10	0.8	5	2.0	6.0	13	18	HR 7007	
6.4	1.6	3.2	12	0.8	5	1.0	6.0	12	18	HR 7106	
2.5	3.2	2.3	3.9	6.5	0.8	5	1.0	3.5	9.5	12.7	HR 7107
	3.7	2.3	3.9	6.5	0.8	5	1.0	3.5	9.5	12.7	HR 7008
	3.7	2.3	3.9	8	0.8	5	2.0	5.0	12	16	HR 7108
	4.2	2.3	3.9	8	0.8	5	2.0	5.0	12	16	HR 7009
	5.2	2.3	3.9	8	0.8	5	2.0	5.0	12	16	HR 7010
	5.2	2.3	3.9	10	0.8	5	1.0	7.0	13	18	HR 7109
	6.4	2.3	3.9	10	0.8	5	1.0	7.0	13	18	HR 7011
	5.2	2.3	3.9	12	0.8	5	2.0	9.0	16	22	HR 7110
	6.4	2.3	3.9	12	0.8	5	2.0	9.0	16	22	HR 7012
	8.2	2.3	3.9	12	0.8	5	2.0	9.0	16	22	HR 7013
	6.4	2.3	3.9	16	0.8	5	2.0	10.0	17	25	HR 7111
	8.2	2.3	3.9	16	0.8	5	2.0	10.0	17	25	HR 7014
	10.2	2.3	3.9	16	0.8	5	2.0	10.0	17	25	HR 7015
	10.2	2.3	3.9	18	0.8	5	1.0	14.0	20	29	HR 7151
12.7	2.3	3.9	18	0.8	5	1.0	14.0	20	29	HR 7047	
4 - 6	4.2	3.5	5.5	8	1.0	6	2.0	5.0	13	17	HR 7155
	5.2	3.5	5.5	8	1.0	6	2.0	5.0	13	17	HR 7050
	4.2	3.5	5.5	10	1.0	6	3.0	5.0	14	19	HR 7112
	5.2	3.5	5.5	10	1.0	6	3.0	5.0	14	19	HR 7016
	5.2	3.5	5.5	12	1.0	6	2.0	6.0	14	20	HR 7113
	6.4	3.5	5.5	12	1.0	6	2.0	6.0	14	20	HR 7017
	8.2	3.5	5.5	12	1.0	6	2.0	6.0	14	20	HR 7018
	5.2	3.5	5.5	12	1.0	6	3.0	7.0	16	22	HR 7114
	6.4	3.5	5.5	12	1.0	6	3.0	7.0	16	22	HR 7019
	5.2	3.5	5.5	8	1.0	6	3.0	9.8	18.8	22.8	HR 7157
	6.4	3.5	5.5	14	1.0	6	2.0	10.5	18.5	25.5	HR 7115
	8.2	3.5	5.5	14	1.0	6	2.0	10.5	18.5	25.5	HR 7020
	9.7	3.5	5.5	14	1.0	6	2.0	10.5	18.5	25.5	HR 7021
	8.2	3.5	5.5	16	1.0	6	3.0	13.0	22	30.0	HR 7116
	10.2	3.5	5.5	16	1.0	6	3.0	13.0	22	30.0	HR 7022
	8.2	3.5	5.5	18	1.0	6	3.0	12.0	21	30.0	HR 7117
10.2	3.5	5.5	18	1.0	6	3.0	12.0	21	30.0	HR 7023	
12.7	3.5	5.5	18	1.0	6	3.0	12.0	21	30.0	HR 7024	
10	4.2	4.3	6.3	10	1.0	8	2.0	7.0	17	22	HR 7118
	5.2	4.3	6.3	10	1.0	8	2.0	7.0	17	22	HR 7025
	4.2	4.3	6.3	10	1.0	8	3.0	4.0	15	20	HR 7119



Tolerance : as per UL FUS.

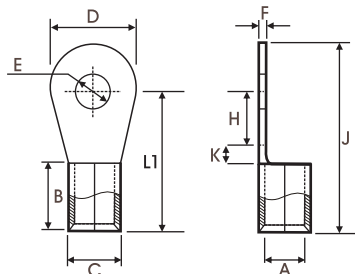
RING TYPE TINNED COPPER CABLE TERMINAL ENDS (NON INSULATED)



MATERIAL : E - COPPER • FINISH : ELECTRO TINNED

Cable mm ²	Stud Hole E	Dimensions in mm									Product Code
		A	C	D	F	B	K	H	L1	J	
10	5.2	4.3	6.3	10	1.0	8	3.0	4.0	15	20	HR 7026
	6.4	4.3	6.3	12	1.0	8	2.0	7.0	17	23	HR 7120
	8.2	4.3	6.3	16	1.0	8	4.0	7.0	19	27	HR 7121
	8.2	4.3	6.3	18	1.0	8	4.0	9.0	21	30	HR 7122
	10.2	4.3	6.3	18	1.0	8	4.0	9.0	21	30	HR 7027
	10.2	4.3	6.3	22	1.0	8	5.0	10.0	23	34	HR 7123
	12.7	4.3	6.3	22	1.0	8	5.0	10.0	23	34	HR 7028
16	5.2	5.6	8	10	1.2	10	3.0	6.0	19	24	HR 7124
	5.2	5.6	8	12	1.2	10	4.0	6.0	20	26	HR 7125
	6.4	5.6	8	12	1.2	10	4.0	6.0	20	26	HR 7029
	6.4	5.6	8	16	1.2	10	4.0	8.0	22	30	HR 7126
	8.2	5.6	8	16	1.2	10	4.0	8.0	22	30	HR 7030
	9.7	5.6	8	16	1.2	10	4.0	8.0	22	30	HR 7031
	8.2	5.6	8	18	1.2	10	4.0	10.0	24	33	HR 7127
	10.2	5.6	8	18	1.2	10	4.0	10.0	24	33	HR 7032
	10.2	5.6	8	22	1.2	10	6.0	8.0	24	35	HR 7128
	12.7	5.6	8	22	1.2	10	6.0	8.0	24	35	HR 7033
25	6.4	7.5	11.1	12	1.8	11	4.0	10.0	25	31	HR 7156
	8.2	7.5	11.1	12	1.8	11	4.0	10.0	25	31	HR 7051
	6.4	7.5	11.1	16	1.8	11	5.0	6.0	22	30	HR 7129
	8.2	7.5	11.1	16	1.8	11	5.0	6.0	22	30	HR 7034
	10.2	7.5	11.1	16	1.8	11	5.0	6.0	22	30	HR 7035
	6.4	7.5	11.1	16	1.8	11	4.0	10.0	25	33	HR 7130
	8.2	7.5	11.1	16	1.8	11	4.0	10.0	25	33	HR 7036
	10.2	7.5	11.1	18	1.8	11	5.0	9.0	25	34	HR 7131
	10.2	7.5	11.1	22	1.8	11	6.0	14.0	31	42	HR 7132
	12.7	7.5	11.1	22	1.8	11	6.0	14.0	31	42	HR 7037
35	6.4	9	12.6	16	1.8	12	5.0	6.0	23	31	HR 7133
	8.2	9	12.6	16	1.8	12	5.0	6.0	23	31	HR 7038
	8.2	9	12.6	18	1.8	12	5.0	10.0	27	36	HR 7134
	10.2	9	12.6	18	1.8	12	5.0	10.0	27	36	HR 7039
	10.2	9	12.6	22	1.8	12	4.0	15.0	31	42	HR 7135
	12.7	9	12.6	22	1.8	12	4.0	15.0	31	42	HR 7040
50	8.2	10.5	14.1	18	1.8	16	6.0	12.0	34	43	HR 7136
	10.2	10.5	14.1	18	1.8	16	6.0	12.0	34	43	HR 7041
	10.2	10.5	14.1	22	1.8	16	7.0	9.0	32	43	HR 7137
	10.2	10.5	14.1	24	1.8	16	6.0	14.0	36	48	HR 7138
	12.7	10.5	14.1	24	1.8	16	6.0	14.0	36	48	HR 7042
	16.2	10.5	14.1	32	1.8	16	7.0	15.0	38	54	HR 7139
70	10.2	12	16	22	2	18	7.0	11.0	36	47	HR 7140
	12.7	12	16	22	2	18	7.0	11.0	36	47	HR 7043
	12.7	12	16	24	2	18	8.0	10.0	36	48	HR 7141
	16.2	12	16	28	2	18	6.0	16.0	40	54	HR 7142
95	10.2	13.5	18.1	22	2.3	20	5.0	10.0	35	46	HR 7143
	10.2	13.5	18.1	24	2.3	20	6.0	12.0	38	50	HR 7144
	12.7	13.5	18.1	24	2.3	20	6.0	12.0	38	50	HR 7044
	16.2	13.5	18.1	28	2.3	20	7.0	17.0	44	58	HR 7145
120	12.7	15	20.2	26	2.6	22	10.0	7.0	39	52	HR 7146
	23.0	15	20.2	40	2.6	22	10.0	20.0	52	72	HR 7148
150	12.7	16.5	23.7	34	3.6	24	9.0	16.0	49	66	HR 7149
	16.2	16.5	23.7	34	3.6	24	9.0	16.0	49	66	HR 7045
	16.2	16.5	23.7	40	3.6	24	10.0	20.0	54	74	HR 7150
	20.3	16.5	23.7	40	3.6	24	10.0	20.0	54	74	HR 7046

Tolerance : as per UL FUS.



HEXPRESS CRIMPING TOOLS

HEXPRESS A - 6

Crimping Capacity :
0.5mm² to 6mm²
Weight : 340 gms.



HEXPRESS B - 16

Crimping Capacity :
0.5mm² to 16mm²
Weight : 600 gms.



HEXPRESS F1 - 185 (Round Profile Dies)

Dies : R - 1 to R - 13
Crimping Capacity :
10mm² to 185mm²
Weight : 6.45 Kgs.



HEXPRESS F1-185 (HEX Profile Dies)

Dies : R - 1 to R - 13
Crimping Capacity :
10mm² to 185mm²
Weight : 6.45 Kgs.



HEXPRESS G - 400

Dies : Hex Profile
Crimping Capacity :
25mm² to 400mm²
Weight : 9.60 Kgs.



HEXPRESS G1 - 400

{Gear Operated}
Dies : R - 11 to R - 18
Crimping Capacity :
50mm² to 400mm²
Weight : 9.50 Kgs.



HEXPRESS HY - 400

(Hydraulic)
Dies : R - 11 to R - 18
Crimping Capacity :
120mm² to 400mm²
Weight : 16.50 Kgs.



HEXPRESS HY - 1000

(Hydraulic)
Dies : R - 11 to R - 29
Crimping Capacity :
120mm² to 1000mm²
Weight : 25.50 Kgs.

HEXPRESS CRIMPING TOOLS

HEXPRESS - H - 50

(Dieless) Crimping Capacity :
for Cu. & Al.

Crimping socket : 25, 35 & 50mm²
for Ring Type : 16, 25 & 35mm²

Weight : 1.70 Kgs.



HEXPRESS - H - 70

(Dieless)

for Ring Type only

Crimping Capacity :
16 to 70mm²

Weight : 2.95 Kgs.



HEXPRESS HYF - 400

(Hydraulic Foot Operated)

Crimping Capacity :

50mm² to 400mm²

Weight : 17.0 Kgs.



F1 - 185

Round Profile Dies

R - 1 to R - 13



G - 400

Hex Profile Dies

H - 50 to H - 400



G1 - 400

Hex Profile Dies

H - 50 to H - 400



HY - 400

R - 11 to R - 15

R - 16 to R - 18



HY - 1000

R - 11 to R - 14

R - 15 to R - 18

R - 19 to R - 29



PLEASE NOTE : Die Nos. R - 8 does not exist for any type of tool

HEXPRESS CRIMPING TOOLS

HEXPRESS - 01

(For Insulated)

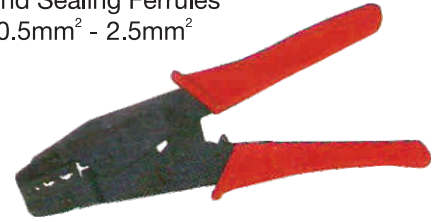
Crimping Capacity : 1.5mm² to 2.5mm² 4.6mm²
Weight : 556 gms.



HEXPRESS - 02

(2 in 1) Insulation & End Sealing Ferrules

Crimping Capacity : 0.5mm² - 2.5mm²
Weight : 414 gms.



HEXPRESS - 03

(For End Sealing Ferrules)

Crimping Capacity : 0.25mm² - 10mm²
Weight : 420 gms.



HEXPRESS - 04

(For End Sealing Ferrules)

Crimping Capacity : 6mm² - 16mm²
Weight : 556 gms.



HEXPRESS - 05

(3 in 1) Insulation,
End Sealing & Ordinary Lugs

Crimping Capacity : 0.5mm² - 6mm²
Weight : 702 gms.



HEXPRESS - 06

(Hydraulic Hand Operated)

Crimping Capacity : 16mm² - 300mm²
Weight : 5.10 Kgs.



HEXPRESS - 07

HEAVY DUTY

(Hydraulic Hand Operated)

Crimping Capacity : 16mm² - 300mm²
Weight : 5.32 Kgs.



HEXPRESS - 09

(Wire Cutter)

Cutting Capacity :
upto 30mm²
Weight : 160 gms.



HEXPRESS - 10

(Wire stripper cum cutter) (2 in 1)

Cutting Capacity :
0.6mm² - 5mm²
Weight : 290 gms.



HEXPRESS - 11

(Fastening Tool for Cable Tie)
Suitable for just bind Wire &
Automatic Cutting
Weight : 330 gms.



HEXPRESS CRIMPING TOOLS

HEXPRESS - 12

(Snap On)
Crimping Capacity :
1.5mm², 2.5mm² & 4.6mm²
Weight : 548 gms.



HEXPRESS - 13

(Cable Cutter) Cutting Capacity :
upto 500mm²
Weight : 2.72 Kgs.



HEXPRESS - 14

(Wire Cutter)
Cutting Capacity :
up to 70mm²
Weight : 290 gms.



HEXPRESS - 17

Copper Tube Terminal Crimping Tool
Crimping Capacity : 6mm² - 50mm²
Weight : 1.30 Kgs.



HEXPRESS - 18

Copper Tube Terminal Crimping Tool
Crimping Capacity : 25mm² - 150mm²
Weight : 4.0 Kgs.



HEXPRESS - 19

Insulated & Non-insulated End Sealing Ferrules
Crimping Capacity : 1.5mm² - 6mm²
Weight : 12 gms.



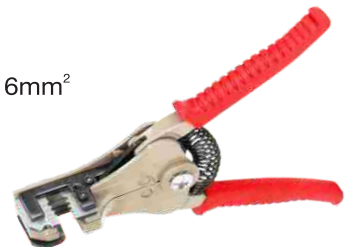
HEXPRESS - 20

Insulated & Non-insulated End Sealing Ferrules
Crimping Capacity : 0.5mm² - 16mm²
Weight : 25 gms.



HEXPRESS - 21

Automatic Wire Strippers
Stripping Range : 0.5mm² - 6mm²
Weight : 36 gms.



HEXPRESS - 22

Cable Insulation Stripping Knife
Stripping Range : Over 25 mm Dia.
Weight : 160 gms.



HSC - 100

Corrosion Inhibiting Compound
For Aluminium to Aluminium or
Aluminium to Copper Joints
Weight : 50 gms.



HEXPRESS - 400

(Hydraulic Hand Operated)
Crimping Capacity :
Aluminium : 10mm² - 400mm²
Copper : 16mm² - 400mm²
Weight : 7.00 Kgs.

